

# NPort DE-311, DE-211

## Make Your Serial Device Internet Ready

### Features

- RS-232/422/485 3-in-1 serial port
- Versatile socket operation modes, including TCP Server, TCP Client, UDP, Ethernet Modem, and Pair Connection
- Real COM/TTY drivers for Windows and Linux
- Easy-to-use NPort Management Suite
- Cigarette pack size
- Fast Ethernet or Standard Ethernet
- 2- or 4-wire RS-485 with patented Automatic Data Direction Control (ADDC™)
- Built-in 15 KV ESD Protection for all serial signals



### Specifications

#### LAN

##### Ethernet:

10/100 Mbps, RJ45 (DE-311)

10 Mbps, RJ45 (DE-211)

**Protection:** Built-in 1.5 KV magnetic isolation

#### Serial

**Interface:** RS-232/422/485 x 1, DB9 (F) (DE-311), DB25 (F) (DE-211), switch selectable

**RS-232 Signals:** TxD, RxD, RTS, CTS, DTR, DSR, DCD, GND

**RS-422 Signals:** Tx+, Tx-, Rx+, Rx-, RTS+, RTS-, CTS+, CTS-, GND

**RS-485 (2-wire) Signals:** Data+, Data-, GND

**RS-485 (4-wire) Signals (DE-211 only):** Tx+, Tx-, Rx+, Rx-, GND

**Serial Line Protection:** 15 KV ESD for all signals

**RS-485 Data Direction:** Patented Automatic Data Direction Control (ADDC™)

#### Serial Communication Parameters

**Parity:** None, Even, Odd, Space, Mark

**Data Bits:** 5, 6, 7, 8

**Stop Bit:** 1, 1.5, 2

**Flow Control:** RTS/CTS, XON/XOFF

**Speed:** 50 bps to 230.4 Kbps

#### Software Features

**Protocols:** DHCP, BootP, Telnet, TCP, UDP, IP, ICMP, ARP

**Utilities:** NPort Management Suite for Windows 95/98/ME/NT/2000/XP/2003, Linux Batch Configurator

**Real COM/TTY Drivers:** Windows 95/98/ME/NT/2000/XP COM driver, Linux real TTY driver

**Configuration:** Serial console via RS-232, Telnet console/NPort utilities via Ethernet

#### Power Requirement

##### Power Input:

DE-311: 9-30 VDC

DE-211: 12-30 VDC

##### Power Consumption:

DE-311: 300 mA at 9V (max.)

DE-211: 150 mA at 12V (max.)

#### Mechanical Specifications

**Material:** SECC sheet metal (1 mm)

**Gross Weight:** DE-311: 0.88 kg (1.94 lb)

DE-211: 0.86 kg (1.89 lb)

#### Environmental

**Operating Temperature:** 0 to 55°C (32 to 131°F), 5 to 95% RH

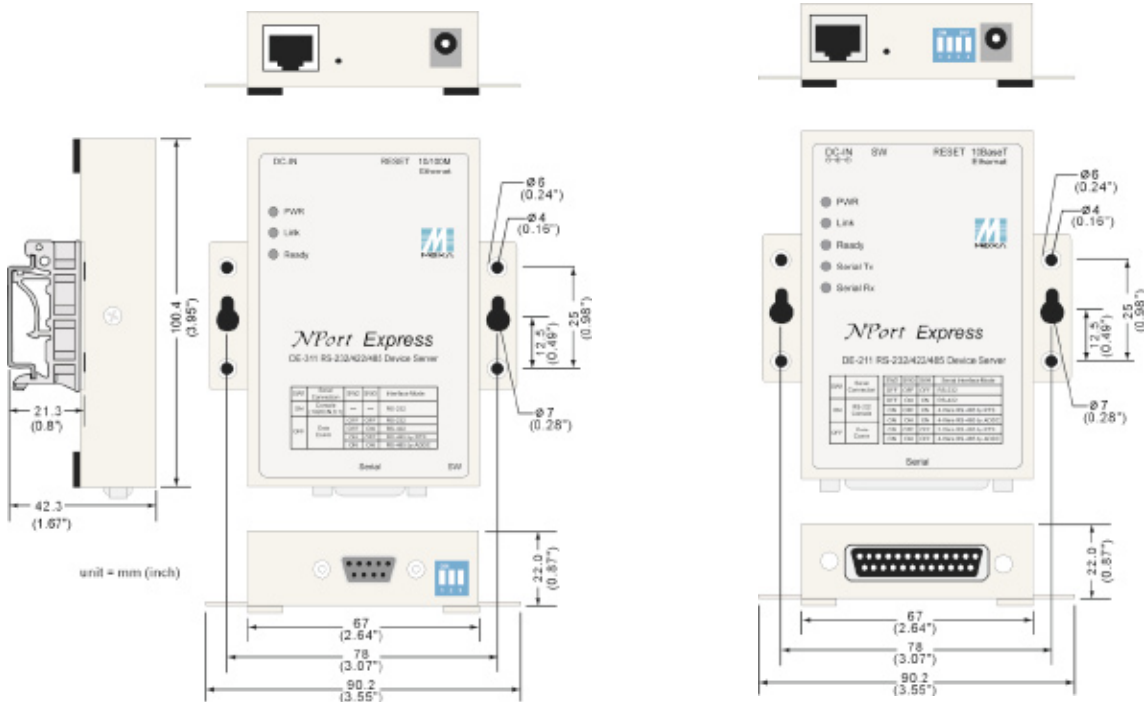
**Storage Temperature:** -20 to 85°C (-4 to 185°F), 95% RH

#### Regulatory Approvals

**EMC:** FCC Class B, CE Class B

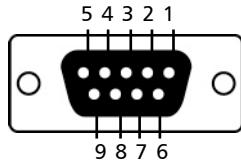
**Safety:** CUL, TÜV

## Dimensions and Appearance



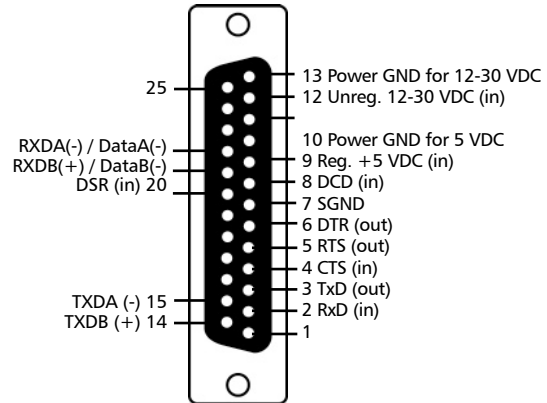
## Pin Assignment

DE-311



PIN	RS-232	RS-422	RS-485 (2W)
1	DCD	RxD-(A)	----
2	TxD	RxD+(B)	----
3	RxD	TxD+(B)	Data+(B)
4	DSR	TxD-(A)	Data-(A)
5	GND	GND	GND
6	DTR	CTS-(A)	----
7	CTS	CTS+(B)	----
8	RTS	RTS+(B)	----
9	----	RTS-(A)	----

DE-211



## Ordering Information

**DE-311:** 10/100 Mbps, 1-Port RS-232/422/485 serial device server

**DE-211:** 10 Mbps, 1-Port RS-232/422/485 serial device server

**All items include:**

- 1-port serial device server
- Quick Installation Guide
- NPort Documentation and Software CD-ROM

## Optional Accessories

**DK-35A:** DIN-Rail Mounting Kit (35mm)

**NP21101:** DB25(M) to DB9(F) RS-232 Cable, 30 cm

**NP21102:** DB25(M) to DB9(M) RS-232 Cable, 30 cm

**NP21103:** DB25(M) Terminal Block Kit for RS-422/485

\* Refer to pages 7-6, 7-7 for optional power adaptors