

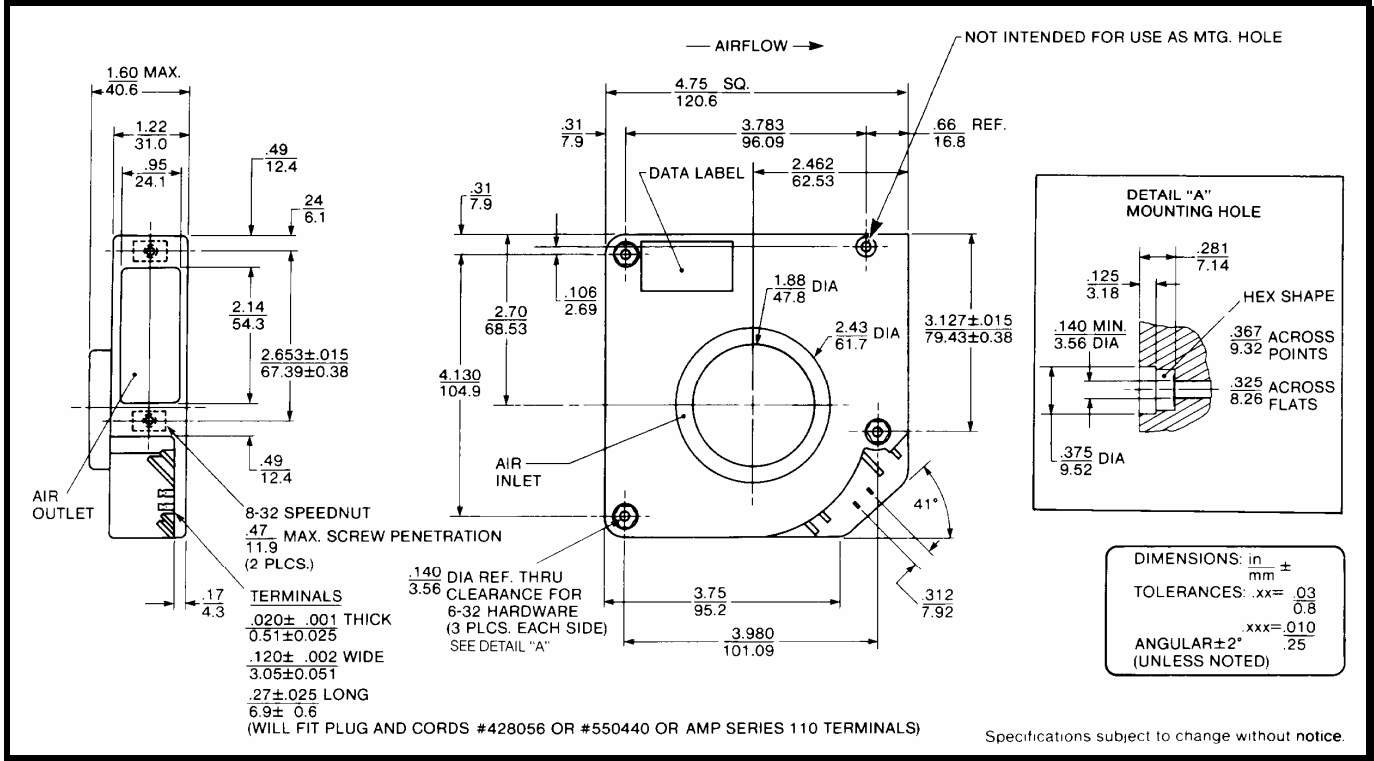
SPECIFICATIONS



Model Number: BT2B1
Part Number: 028454

June 15, 2006

Mechanical Drawing:



Motor:

Nominal Voltage	= 115 VAC
Nominal Running Current	= 0.19 / 0.17 amps
Max Lock Rotor Current	= 0.22/0.20 amps
Frequency	= 50 / 60 Hz
Running Power	= 17 / 16 watts
Average Speed	= 2500 / 2700 RPM
Bearings	= Ball
Air Flow	= 20 / 22 CFM
Acoustic	= 48.2 / 49.6 dBA

Construction:

Housing: Plastic, Black, UL 94V-0
 Impeller: Plastic, Black, UL 94V-2

Life Expectancy:

This fan is designed for continuous duty life of 85,000 hours at 40°C.

Additional Features:

Inside Out Shaded Pole Motor
 Impedance Protected
 Class B Insulation System
 Operating Temperature: -18°C to 60°C
 Storage Temperature: -40°C to 85°C

Termination:

0.110" Terminals

Agency Approvals:

UL, CSA