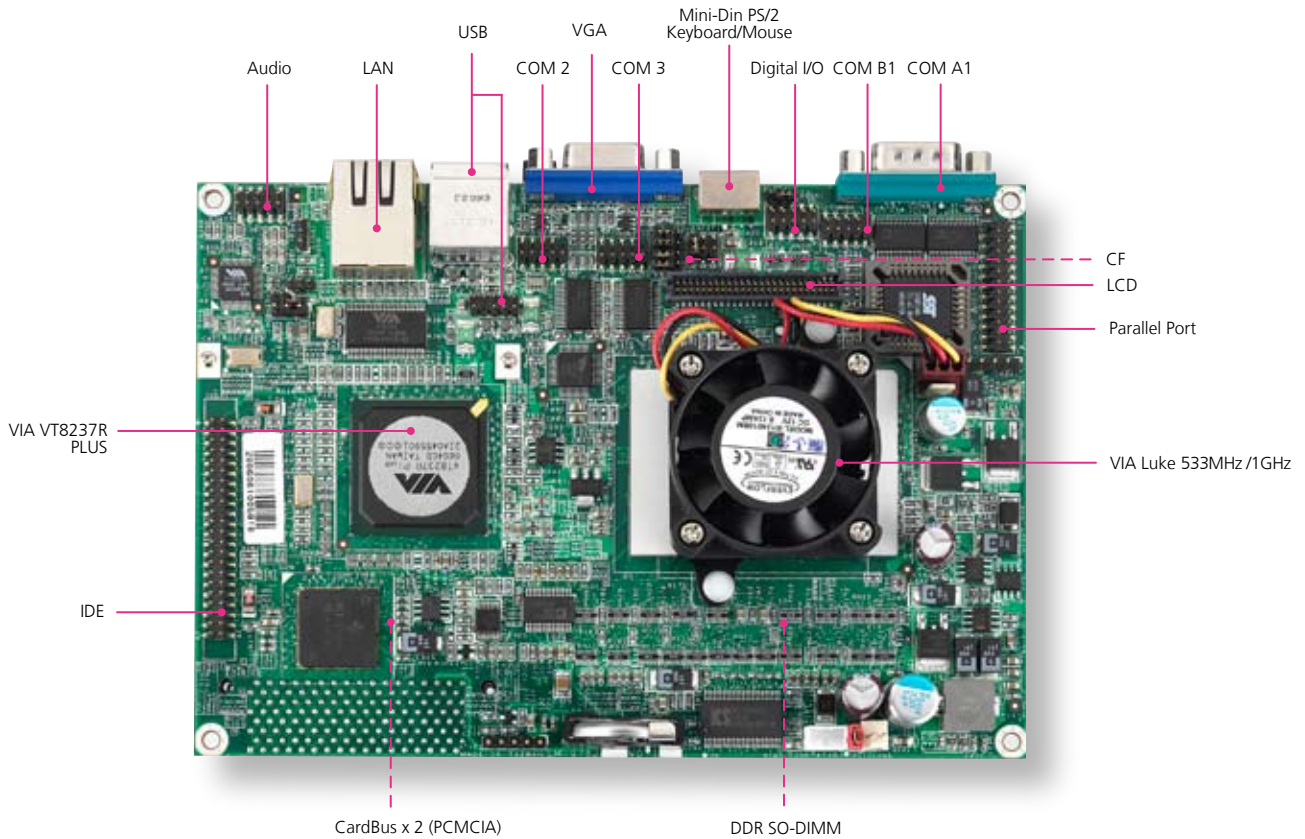


# EM-9762

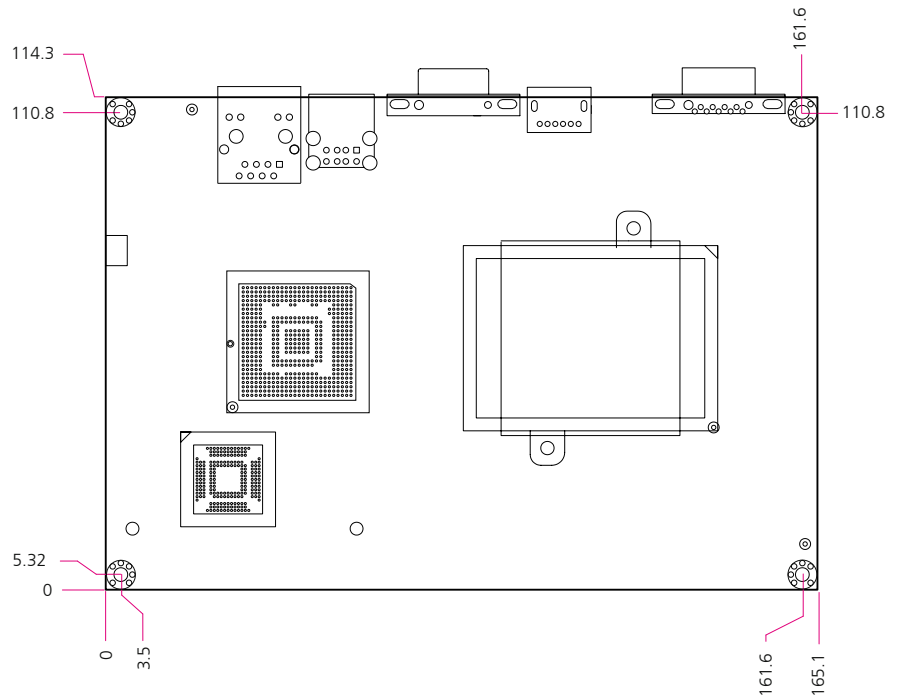
EPIC VIA Luke 533MHz/1GHz EBC with VGA/ Audio/ LAN/ CF/ USB and Dual CardBus

- VGA
- AUDIO
- LAN
- USB
- COM
- CF
- CardBus



## FEATURES

- Onboard VIA Luke / CPU onboard
- One SO-DIMM up to 1GB SDRAM
- 10/100M LAN and AC'97 Audio
- PCMCIA 2 CardBus, Type III CF
- 4 COM, parallel, 4 USB, IrDA, DIO



FEATURE	DESCRIPTION	
<b>Platform</b>	Form Factor	EPIC
	Processor	VIA Luke 533MHz/1GHz
	Chipset	VIA Luke / VT8237R+
	BIOS	Award Flash BIOS
	Cache Memory	Processor Built-in
<b>System Memory</b>	Technology	DDR266/333/400 memory SDRAM
	Max Capacity	1GB
	Socket	200-pin SO-DIMM x1
<b>Storage Interface</b>	Hard Drive Interface	IDE x1 (Ultra DMA 100)
	SSD (CF Socket)	CompactFlash II x1
<b>Networking</b>	Speed	10/100 Mbps
	I/O	RJ45 x1
	Controller	VT8237R+ with VT6103 phy
<b>Display</b>	Controller	Luke integrated Unichrome Pro 2D/3D Graphics Engine
	Shared memory	Support 16/32/64 MB frame buffer
	Output	VGA
<b>Audio</b>	Codec	AC'97 codec
	I/O	Mic-in, Line-in, Line-out
<b>I/O Interface</b>	Serial Port	RS-232 x3, RS-232/422/485 x1
	Parallel Port	1
	Universal Serial Bus	4 (v2.0)
	Bus interface	CardBus
	IR Interface	115k bps, IrDA 1.0 compliant
	Keyboard	Mini-DIN PS/2
	Mouse	Mini-DIN PS/2
	Hardware Monitoring	Controller
<b>Cooling</b>	RTC	VT8237R+ integrated RTC
	Watchdog timer	62-level time-out intervals
<b>Expansion</b>	Temperature, ambient operating	0~60°C (32~140°F)
	Humidity (RH), ambient operating	5~95% relative humidity, non-condensing
<b>Environmental Parameters</b>	Storage Temperature	-20~70°C (-4~158°F)
	Dimensions	165.1 x 114.3 mm (6.5 x 4.5 in)
<b>Power</b>	Input	DC +5V/+12V
	Operation	2P (+12V), 3P (+5Vsb, PS on)
	Form Factor	AT/ATX support
	Consumption	Typically 3A@+12V(VIA Luke 533/1G / 1G system memory)
<b>Compliance</b>	CE, FCC, RoHS	

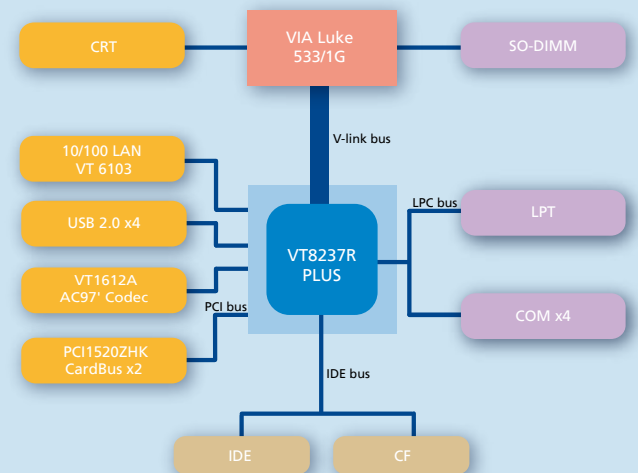
## ORDERING INFORMATION

<b>EM-9762A</b>	Luke-533 with VGA / LVDS / Audio / LAN
<b>EM-9762B</b>	Luke-1G with VGA / LVDS / Audio / LAN

## OPTIONAL ACCESSORIES

ITEM	DESCRIPTION	PART NUMBER
<b>IDE cable</b>	44P to 40P	080W1D4405001
<b>Flat cable</b>	44P Pitch 2.0mm to IDC*2 44P 450mm	080W1D44A4501
<b>ATX cable</b>	20P to pitch 2.0mm 3P and pitch 2.54mm 2P / L:200mm	080W142002001
<b>Audio cable</b>	PC99 jack*3, Pitch 2.0mm Housing 2x5pin (P8 disconnected) L=300mm	080W1C1003003
<b>AT Power cable</b>	4P to 2P / L:500mm	080W140405001
<b>Printer cable</b>	2x13 2.0mm (P26 disconnected) D-SUB 25P L:100mm	080W182501001
<b>PS/2 cable</b>	RoHS PS2 Y Cable (1 to 2) L=135mm 5PIN	080W2B0511001
<b>RS232 cable</b>	D-SUB 9P 2 x 5 2.0mm / L:100mm	080W151001001
<b>USB Y cable</b>	2 x 5 2.0mm / L:100mm	080W1A1001001

## PLATFORM ARCHITECTURE



### About Lanner

Founded in 1986 and publicly listed (TAIEX 6245) since 2003, Lanner Electronics Inc. is an ISO 9001 certified designer and manufacturer of reliable, frontline security, storage and applied computing platforms and solutions. With headquarters in Taipei, Taiwan and branches in the U.S., India, and China, Lanner is uniquely positioned to deliver custom technical solutions with localized, value-added service.

### Contact information

Lanner Electronics Inc  
7F, 173, Section 2 Datong road  
Sijhih City, Taipei County 221, Taiwan

**T** +886 2 86926060

**F** +886 2 86926101

**E** sales@lannerinc.com

**W** www.lannerinc.com