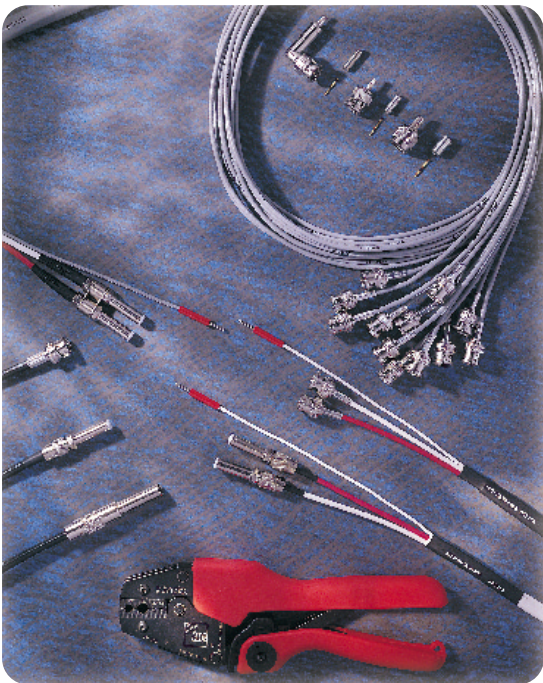


DSX-3

Coaxial Cable Assemblies, Connectors and Tools



To complement ADC's DSX-3 products, a variety of coaxial cable assemblies, connectors, and tools are available. These products are designed to support technicians in patching, testing, and cross-connecting operations.

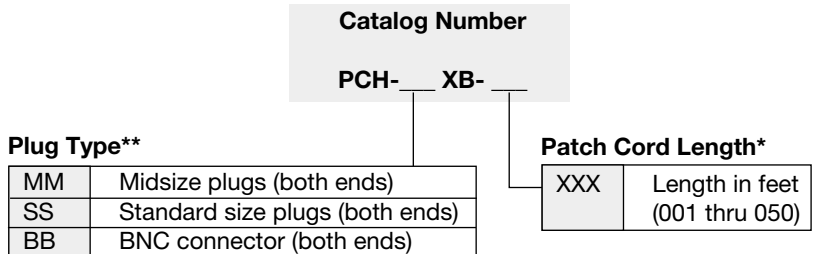
Features:

- Manufactured to exacting specifications, meeting the industry's highest standards
- Configurable cable assemblies and jumpers support specific network requirements
- Patch cord kits and tool kits simplify ordering

Patch Cords

DSX-3 Patch Cords with RG59 Type Cable

To patch between DSX-3 jacks



Ordering Example:

Catalog number PCH-MMXB-012: 12' (3.66 m) patch cord with MIDSIZED plugs on both ends.

****Midsized Plug:**

Diameter = .298" (.76 cm)

****Standard Size Plug:**

Diameter = .375" (.92 cm)

***Standard patch cords length:** 3', 6', 9', 12', 15', 18', 20', 25', 30', 35', 40', 45', 50' (.92, 1.83, 2.75, 3.66, 4.58, 5.49, 6.1, 7.63, 9.15, 10.68, 12.22, 13.73, 15.25 m)



PCH-MMXB-003



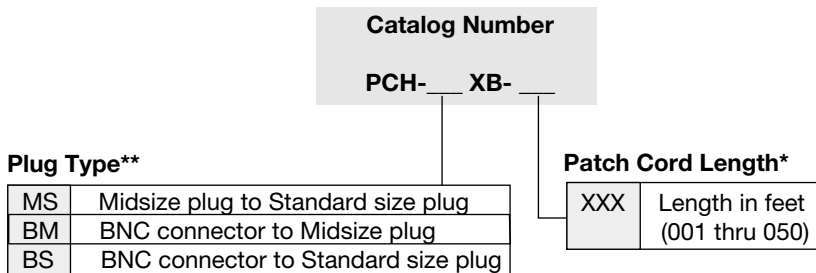
PCH-SSXB-003



PCH-BBXB-003

Conversion Patch Cords with RG59 Type Cable

To patch between different size jacks, such as DSX-3 jacks to test set jacks



Ordering Example:

Catalog number PCH-MSXB-012: 12' (3.66 m) patch cord with MIDSIZED plug on one end and STANDARD size plug on the other end.

****Midsized Plug:**

Diameter = .298" (.76 cm)

****Standard Size Plug:**

Diameter = .375" (.92 cm)

***Standard patch cords length:** 3', 6', 9', 12', 15', 18', 20', 25', 30', 35', 40', 45', 50' (.92, 1.83, 2.75, 3.66, 4.58, 5.49, 6.1, 7.63, 9.15, 10.68, 12.22, 13.73, 15.25 m)



PCH-MSXB-003



PCH-BMxB-003



PCH-BSXB-003



Patch Cords

Start-up Kits

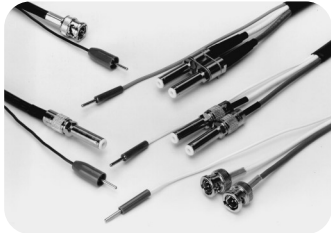
These convenient kits contain a variety of cords and plugs for initial circuit turn-up and on-going maintenance such as testing, patching and cutover operations.

8 / 0 0 • 2 9 2 Coaxial Cable Assemblies

Ordering Information		
Description	Midsize Plugs	Standard Size Plugs
<p>Small Start-up Kit: for remote offices, CEVs, OSP cabinets, customer premises Kit includes:</p> <ul style="list-style-type: none"> (2) 75 Ω termination plugs (2) 9" (22.86 cm) looping cords (2) patch cords - 3' (.92 m) (2) patch cords - 6' (1.83 m) (2) BNC conversion cords - 6' (1.83 m) (2) Midsize plug to standard size plug conversion cords - 6' (1.83 m) <p>Medium Start-up Kit: for local central offices Kit includes:</p> <ul style="list-style-type: none"> (12) 75 Ω termination plugs (12) 9" (22.86 cm) looping cords (4) patch cords - 3' (.92 m) (4) patch cords - 6' (1.83 m) (2) BNC conversion cords - 6' (1.83 m) (2) Midsize plug to standard size plug conversion cords - 6' (1.83 m) <p>Large Start-up Kit: for large local or toll offices Kit includes:</p> <ul style="list-style-type: none"> (24) 75 Ω termination plugs (24) 9" (22.86 cm) looping cords (8) patch cords - 3' (.92 m) (8) patch cords - 6' (1.83 m) (8) patch cords - 12' (3.66 m) (2) BNC conversion cords - 6' (1.83 m) (2) Midsize plug to standard size plug conversion cords - 6' (1.83 m) 	<p>ACK-PCH-M1</p> <p>CP1501N PCH-MMXB-000-009 PCH-MMXB-003 PCH-MMXB-006 PCH-MBxB-006 PCH-MSXB-006</p> <p>ACK-PCH-M2</p> <p>CP1501N PCH-MMXB-000-009 PCH-MMXB-003 PCH-MMXB-006 PCH-MBxB-006 PCH-MSXB-006</p> <p>ACK-PCH-M3</p> <p>CP1501N PCH-MMXB-000-009 PCH-MMXB-003 PCH-MMXB-006 PCH-MMXB-012 PCH-MBxB-006 PCH-MSXB-006</p>	<p>ACK-PCH-S1</p> <p>CP1900 PCH-SSXB-000-009 PCH-SSXB-003 PCH-SSXB-006 PCH-BSXB-006 PCH-MSXB-006</p> <p>ACK-PCH-S2</p> <p>CP1900 PCH-SSXB-000-009 PCH-SSXB-003 PCH-SSXB-006 PCH-BSXB-006 PCH-MSXB-006</p> <p>ACK-PCH-S3</p> <p>CP1900 PCH-SSXB-000-009 PCH-SSXB-003 PCH-SSXB-006 PCH-SSXB-012 PCH-BSXB-006 PCH-MSXB-006</p>



Cross-Connect Jumpers



Cross-connect jumpers are available in a variety of configurations to match the type of DSX-3 cross-connect interface and meet specific network requirements. All cross-connect jumpers are equipped with a messenger wire and tracer pins to provide tracer lamp identification between the two DSX-3 positions being connected together.

Options

Connector Interface Types

Connector types must be matched to the type of DSX-3 cross-connect interface. Typically both ends of the cross-connect jumper have the same type of connector interfaces. Only in rare conditions are the connectors different between ends; for example, when matching up to different type DSX systems.

Cross-connect jumpers are available with connectors factory terminated on both ends, or with one end factory terminated and the second connector shipped unattached for field termination by the customer. This allows the customer to fit the jumper to the installation and eliminate excess jumper slack.

Cable Types

This is a customer preference depending on system density requirements and transmission limits. For example, the miniature type coaxial cables (i.e. 735A and 0222 type) greatly reduce jumper congestion. In addition, the miniature coaxial jumpers are available in dual cable types (2 coaxial conductors contained in one overall jacket) providing the convenience of installing one dual jumper as opposed to two single jumpers. The dual jumper's two coaxial conductors are color-coded (red and white) for identifying transmission directions. The overall outer jacket provides additional physical protection.

Lengths

Cross-connect jumpers are available in one foot (.305 m) increments up to 50 feet (.305 to 15.25 m). Typically a customer will stock an in-house supply containing a limited variety of lengths depending on the size of the DSX environment (i.e. 3', 6', 9', 12', 15', 18', 20', etc.)

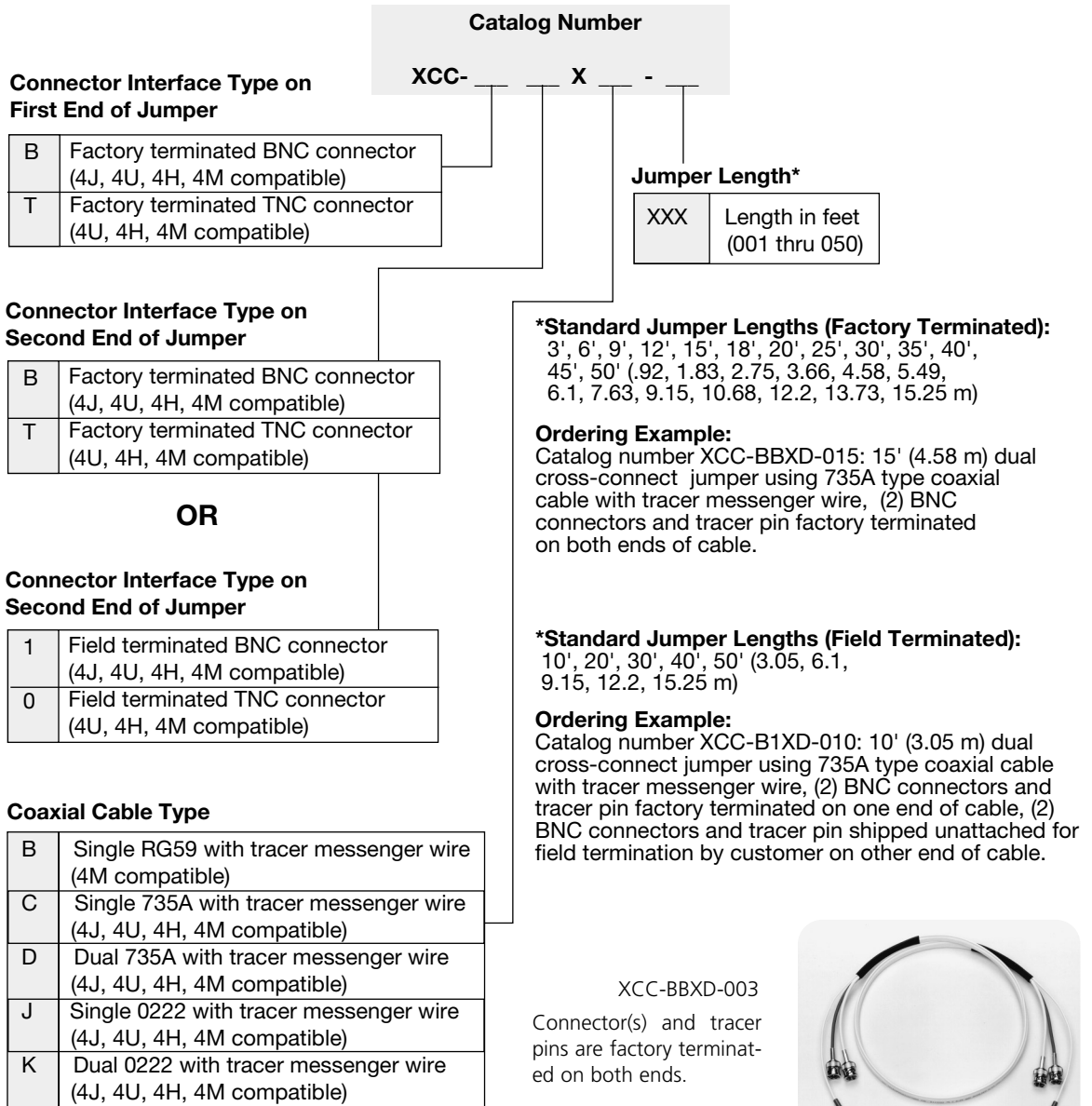


Cross-Connect Jumpers

Rear Cross-Connect DSX-3 Products, Factory or Field Terminated

Coaxial Cable Assemblies

8 / 0 0 • 2 9 2



XCC-BBXD-003

Connector(s) and tracer pins are factory terminated on both ends.



XCC-B1XD-003

Connector(s) and tracer pin are factory terminated on one end. The connector(s) and tracer pin for the other end are shipped unattached for customer termination.



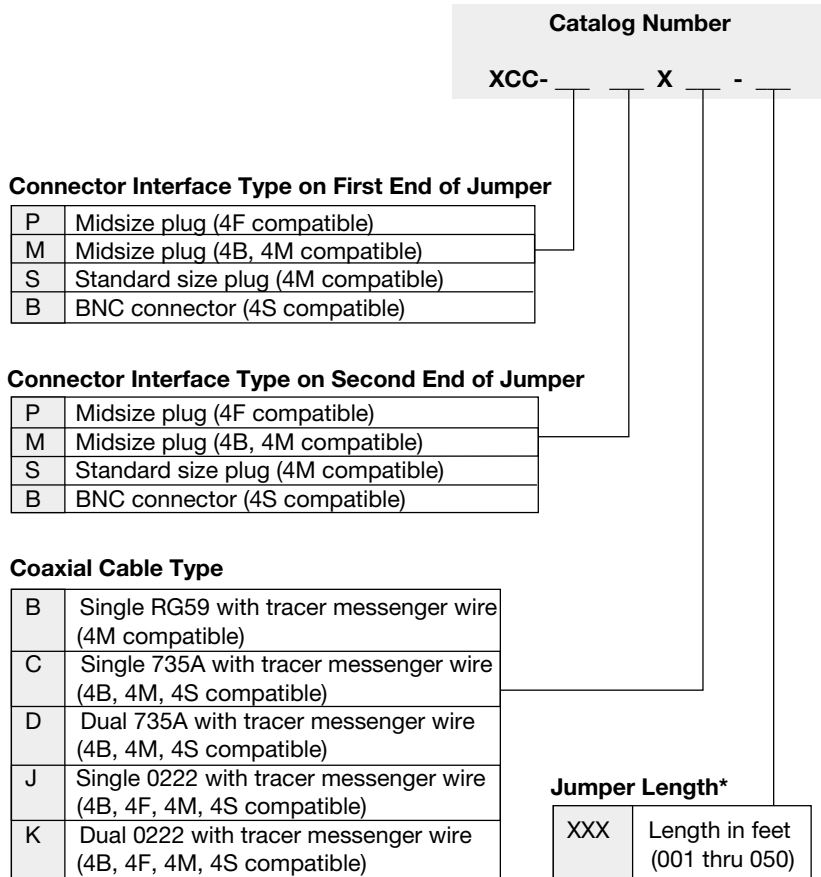


Cross-Connect Jumpers

Front Cross-Connect DSX-3 Products, Factory Terminated

Coaxial Cable Assemblies

8/00 • 292



***Standard Jumper Lengths:**

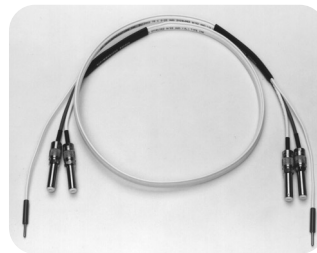
3', 6', 9', 12', 15', 18', 20', 25', 30', 35', 40', 45', 50' (.92, 1.83, 2.75, 3.66, 4.58, 5.49, 6.1, 7.63, 9.15, 10.68, 12.2, 13.73, 15.25 m)

Ordering Example:

Catalog number XCC-MMXD-015: 15' (4.58 m) long dual cross-connect jumper using 735A type coaxial cable with tracer messenger wire, (2) midsized plugs and tracer pins factory terminated on both ends of cable



XCC-MMXB-003



XCC-MMXD-003

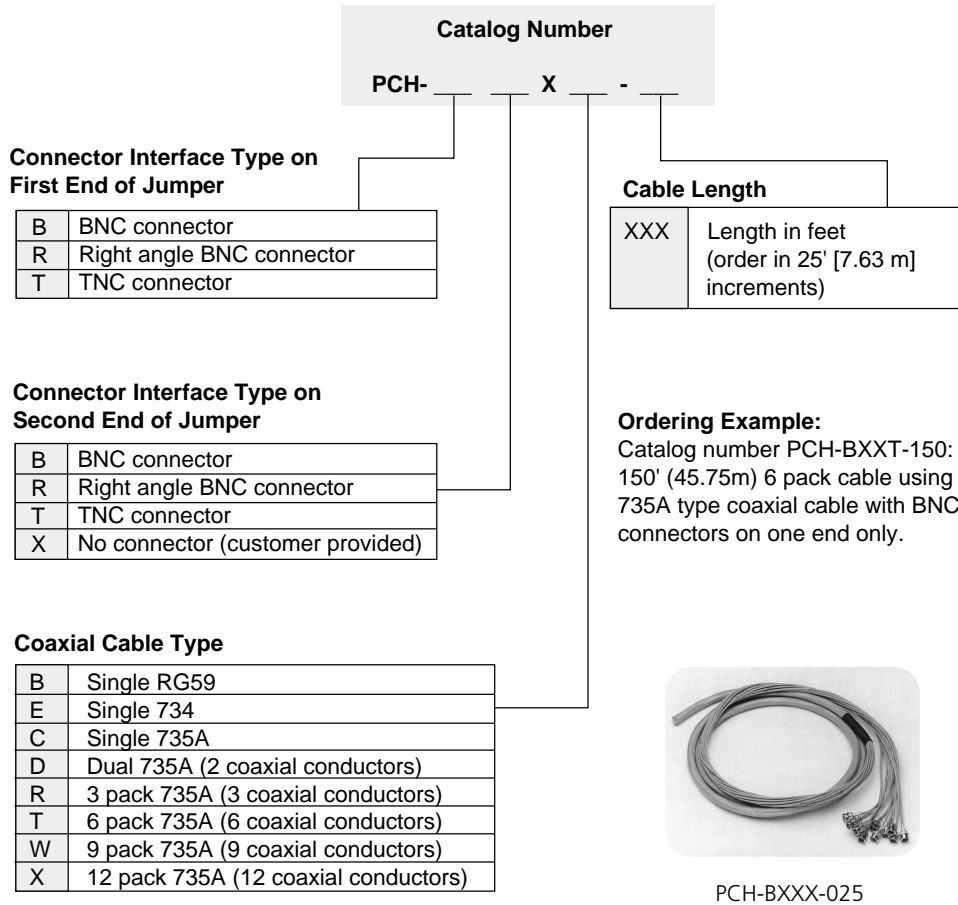
Connectors and tracer pins factory terminated on both ends.



Equipment Cable

Pre-Terminated Equipment Cable

Pre-terminated equipment cable is available with connectors on one or both ends of the cable. Cable types include single RG59, 734 and 735A coaxial cables. In addition, the miniature 735A type cable is available in bundled cable with an outer overall jacket enclosing 2, 3, 6, 9 or 12 individually numbered coaxial conductors.



Bulk Equipment Cable



Ordering Information

Description	Catalog Number
Single RG59	HDW-100237
Single 734	DSX-3-CMP
Single 735A	3AC-BB
Dual 735A (2 coaxial conductors)	3AC-2BB
3 pack 735A (3 coaxial conductors)	3AC-3BB
6 pack 735A (6 coaxial conductors)	3AC-6BB
9 pack 735A (9 coaxial conductors)	3AC-9BB
12 pack 735A (12 coaxial conductors)	3AC-12BB



Coaxial Connectors

Straight BNC Connectors

Ordering Information

Description	BNC-3	BNC-7	BNC-2	BNC-1	BNC-4
Cable type	735A	0222	RG59	734	728
Cable dimensions:					
Outer jack diameter	0.127"	0.155"	0.241"	0.236"	0.305"
Center conductor	26 gauge	24 gauge	23 gauge	20 gauge	20 gauge
Connector crimp dimensions:					
Sleeve	0.178"	0.197"	0.255"	0.255"	0.324"
Center pin*	0.042"	0.042"	0.042"	0.042"	0.042"
Coaxial tools:					
Crimp tool	WT-2	WT-2	WT-2	WT-2	WT-2
Crimp die set	WD-2	WD-3	WD-1/WD-2	WD-1/WD-2	WD-1/WD-2
Complete stripping tool	STC-13B	STC-13B	STC-12B	STC-12B	STC-11B
Replacement cassette	CCS-BLK	CCS-BLK	CCS-BLK	CCS-BLK	CCS-BLK



BNC-3

*In addition to the .042" square pin crimp, all connectors listed above are compatible with a 12 point method of crimping.

Tools for connector termination are available on pages 10 and 11.

Right Angle BNC Connectors

Ordering Information

Description	BNC-RA-3	BNC-RA-7	BNC-RA-2	BNC-RA-1	BNC-RA-4
Cable type	735A	0222	RG59	734	728
Cable dimensions:					
Outer jack diameter	0.127"	0.155"	0.241"	0.236"	0.305"
Center conductor	26 gauge	24 gauge	23 gauge	20 gauge	20 gauge
Connector crimp dimensions:					
Sleeve	0.178"	0.197"	0.255"	0.255"	0.324"
Center pin*	0.042"	0.042"	0.042"	0.042"	0.042"
Coaxial tools:					
Crimp tool	WT-2	WT-2	WT-2	WT-2	WT-2
Crimp die set	WD-2	WD-3	WD-1/WD-2	WD-1/WD-2	WD-1/WD-2
Complete stripping tool	STC-13B	STC-13B	STC-12B	STC-12B	STC-11B
Replacement cassette	CCS-BLK	CCS-BLK	CCS-BLK	CCS-BLK	CCS-BLK



BNC-RA-3

*In addition to the .042" square pin crimp, all connectors listed above are compatible with a 12 point method of crimping.

Tools for connector termination are available on pages 10 and 11.



Coaxial Connectors

Straight TNC Connectors

Ordering Information

Description	TNC-3	TNC-7	TNC-2	TNC-1	TNC-4
Cable type	735A	0222	RG59	734	728
Cable dimensions:					
Outer jack diameter	0.127"	0.155"	0.241"	0.236"	0.305"
Center conductor	26 gauge	24 gauge	23 gauge	20 gauge	20 gauge
Connector crimp dimensions:					
Sleeve	0.178"	0.197"	0.255"	0.255"	0.324"
Center pin*	0.042"	0.042"	0.042"	0.042"	0.042"
Coaxial tools:					
Crimp tool	WT-2	WT-2	WT-2	WT-2	WT-2
Crimp die set	WD-2	WD-3	WD-1/WD-2	WD-1/WD-2	WD-1/WD-2
Complete stripping tool	STC-13B	STC-13B	STC-12B	STC-12B	STC-11B
Replacement cassette	CCS-BLK	CCS-BLK	CCS-BLK	CCS-BLK	CCS-BLK



TNC-3

*In addition to the .042" square pin crimp, all connectors listed above are compatible with a 12 point method of crimping.

Tools for connector termination are available on pages 10 and 11.



Tool Kit



BNC-TOOL-1



Ordering Information	
Description	Catalog Number
Tool Kit Includes: <ul style="list-style-type: none"> • Crimp Tool (WT-2) • BNC crimp die set for 735, RG59 and 734 cables (WD-2) • Stripping tool with cassette for 735/0222 cables (STC-13B) • Stripping tool with cassette for RG59/734 cables (STC-12B) • Cable termination tray (LCA-000009) • Insertion/withdrawal tool for BNC connectors (BT2000) • Carrying case 	BNC-TOOL-1

To order individual tools, see ordering information on next page.



Individual Tools

Ordering Information

Description	Catalog Number
Adjustable cable termination tray for 19" or 23" chassis	LCA-000009
Insertion/withdrawal tool	
BNC connector	BT2000
TNC connector	TT1000
Crimp tool	
Crimp die set for WT-2 tool	
735, RG59 and 734 cables	WD-2
0222 cable	WD-3
RG59, 734 and 728 cables	WD-1
Coaxial cable cutter	DSX-3 CCUT
Stripping tool with black cassette for BNC or TNC connector	
735A/0222 cables	STC-13B
RG59/734 cables	STC-12B
728 cables	STC-11B
Replacement cassette for BNC or TNC connector	
735A/0222/RG59/734/728 cables	CCS-BLK



BT2000



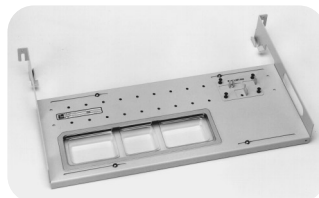
TT1000



WT-2



STC-13B



LCA-000009



DSX-3 CCUT

Coaxial Cable Assemblies

8/00 • 292



Web Site: www.adc.com

From North America, Call Toll Free: 1-800-366-3891 • Outside of North America: +1-952-938-8080 Fax: +1-952-946-3292
For a complete listing of ADC's global sales office locations, please refer to our web site.

ADC Telecommunications, Inc., P.O. Box 1101, Minneapolis, Minnesota USA 55440-1101

Specifications published here are current as of the date of publication of this document. Because we are continuously improving our products, ADC reserves the right to change specifications without prior notice. At any time, you may verify product specifications by contacting our headquarters office in Minneapolis. ADC Telecommunications, Inc. views its patent portfolio as an important corporate asset and vigorously enforces its patents. Products or features contained herein may be covered by one or more U.S. or foreign patents.

