

DATA SHEET
SPECIFICATIONS
**MODEL #5211
AC GENERATOR
5 KVA - 6,000-12,000 RPM**

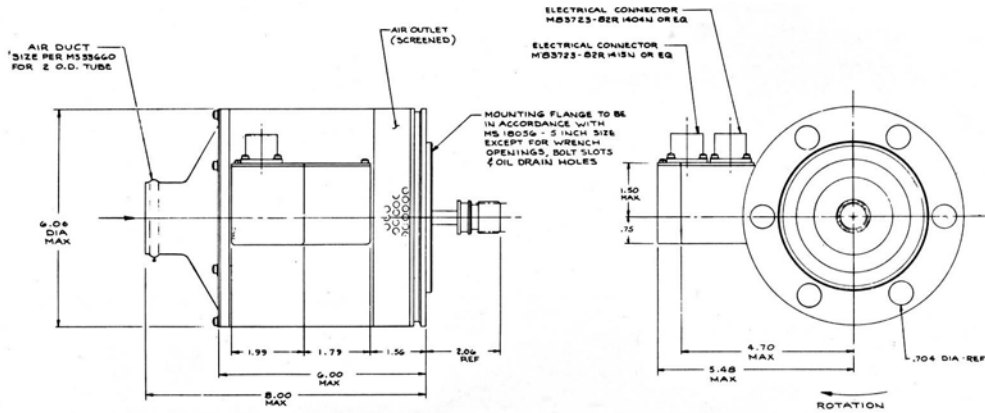
VOLTAGE:	115/200 VAC
PHASE:	THREE
FREQUENCY:	200 TO 400 HERTZ
POWER FACTOR:	.95 LAG TO UNITY
REGULATION:	115 ± 3.5 VAC
SPEED RANGE:	6,000-12,000 RPM
OVERSPEED:	13,000 RPM
CONTINUOUS RATING:	5 KVA CONTINUOUS 7.5 KVA 5.0 MINUTES
EFFICIENCY:	89% AT RATED LOAD
COOLING:	INTERNAL FAN
AMBIENT:	-50°C TO +55°C
ALTITUDE:	SEA LEVEL TO 22,000 FT
WEIGHT:	GENERATOR 21.0 LBS REGULATOR 0.65 LBS
PROTECTIVE FUNCTIONS:	CURRENT LIMITING
COMPLIANCE:	MIL-STD-810C MIL-STD-461A MIL-STD-462 FAR PART 35 FAR PART 37


DESCRIPTION

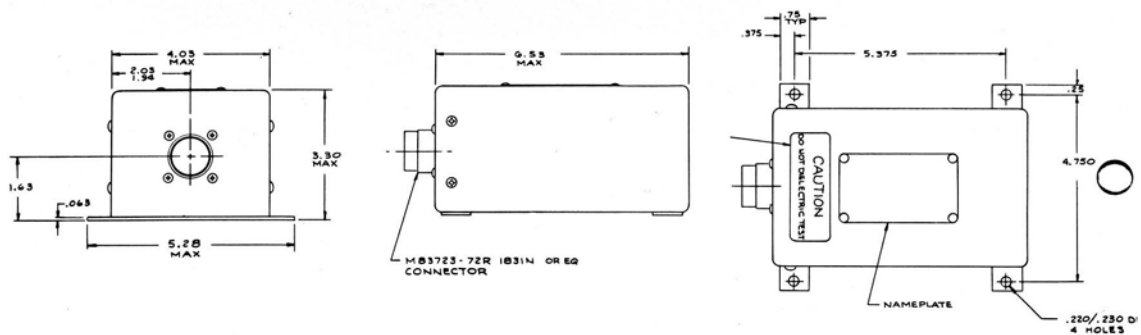
Model 5211 consists of an AC generator, a QAD mounting kit and a PCU. The alternator is a brushless, wound field synchronous unit, whose excitation is provided by the aircraft DC power.

The PCU monitors the system output power and regulates the voltage. The output frequency varies with operating speed. The power from the generator is used to energize a heating element located in the leading edge of the aircraft horizontal stabilizer.

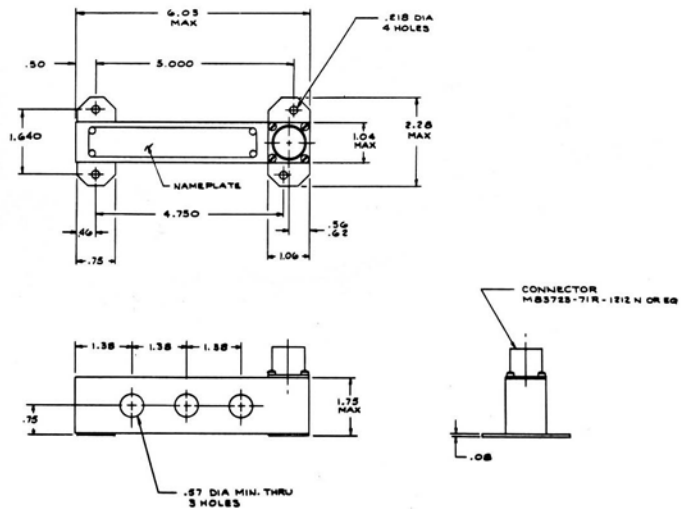
OUTLINE DETAILS



GENERATOR



GENERATOR CONTROL UNIT



CURRENT TRANSFORMER