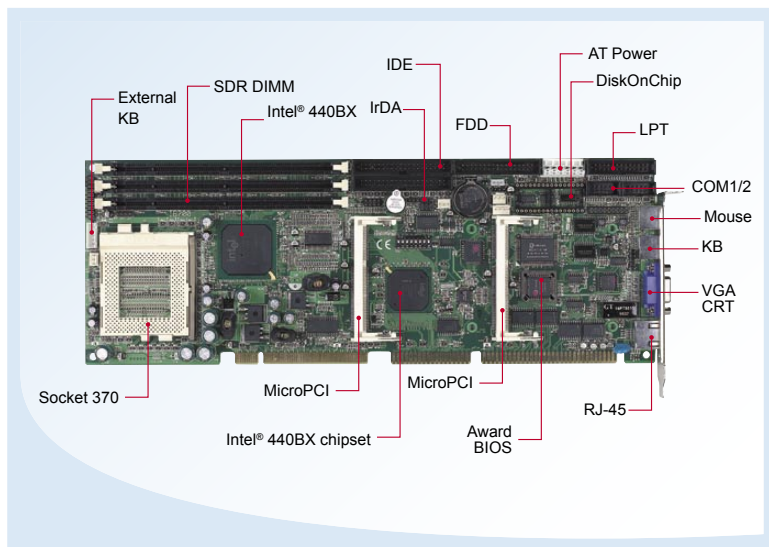


CPU Cards

IB700

Socket 370 Full-Size CPU Card w/ Intel® 440BX AGPset

Pentium® III-Based



>> Features

- Supports Pentium® III / Celeron® processors
Up to 1.1GHz, 66/100MHz FSB
- SDR DIMM x 3, Max. 768MB
- Two MicroPCI sockets support various MicroPCI cards (VGA/LAN/SCSI/1394)
- Supports 6 PCI Bus Master

System

CPU	Socket 370 for Pentium® III / Celeron®, up to 1.1GHz
System Memory	SDR DIMM x 3, Max. 768MB
System Chipset	Intel® 440BX AGPset, 66/100MHz FSB
BIOS	Award 2Mbit
Watchdog Timer	16 levels
SSD	DiskOnChip®
H/W Monitor	Yes
Expansion Slot	Two MicroPCI sockets

Graphics

VGA Controller	via optional MicroPCI card
VGA Memory	via optional MicroPCI card
LCD Interface	via optional MicroPCI card

Ethernet

LAN Controller	via optional MicroPCI card
Connector	RJ-45 on board

Multi I/O

Chipset	Winbond W83977 2x IDE (UDMA33), 1x FDD, 1x KB, 1x Mouse, 1x RS-232, 1x RS-232/422/485, 1x LPT
USB	Pin header for 2 ports (USB 1.1)
Audio	N/A
Others	IrDA

Mechanical and Environmental

Dimensions	338mm x 122mm (13.31" x 4.8")
Max. Power Requirement	5V: 10A +/-12V: 200mA
Operating Temperature	0°C~60°C (32°F~140°F)
Storage Temperature	-20°C~80°C (-68°F~176°F)
Relative Humidity	10%~90% (non-condensing)

Ordering Information

IB700	Socket 370 Full-Size Intel® 440BX CPU card w/ two MicroPCI sockets
IBL59*	MicroPCI card w/ Intel® 82559 Ethernet
IBD21	MicroPCI card w/ SMI SM721G4 VGA w/ 4MB memory
IBD99	MicroPCI card w/ C&T 69000 VGA and Intel® 82559 Ethernet*

* Remarks: Other MicroPCI interface cards are available.