

4U Type N+1 Redundant Power Supply

# EFRP-3400

Dimension: 150(W) x 86(H) x 290(D) mm



Input / Output: AC / DC

- 800+400 watts Output Power
- N+1 Redundant Configuration
- Meet 4U Rackmount System

## Electrical Specifications

### • Regulation, Ripple & Noise

Output	+5V	+3.3V	+12V	+12V	+12V	+12V	-5V	-12V	5Vsb
Load Regulation	± 5%/-3	± 5%/-4%	± 5%/-4%	± 5%/-4%	± 5%/-4%	± 5%/-4%	-	+9%/- 5%	+5%/-3%
Cross Regulation	± 5%	± 5%	± 5%	± 5%	± 5%	± 5%	-	± 5%	± 5%
Line Regulation	± 1%	± 1%	± 1%	± 1%	± 1%	± 1%	-	± 1%	± 1%
Ripple & Noise	50mV	50mV	120mV	120mV	120mV	120mV	-	120mV	50mV

### • Input / Output Ratings

Model No.	Input		Output											
	Voltage	Frequency	Current	Watt	Load	+5V	+3.3V	+12V	+12V	+12V	+12V	-5V	-12V	5Vsb
EFRP 3400	100-240 VAC	47-63 Hz	14-7A	800W	Max	30A	30A	16A	16A	16A	16A	-	0.8A	3A
					Min	1.5A	1A	0.8A	0.8A	0.8A	0.8A	-	0A	0.1A

- Note:
1. The +5 & +3.3 Volt total output shall not exceed 180W .
  2. The +5, +3.3 and +12 Volt total output shall not exceed 770W.
  3. Maximum continues total DC output power shout not exceed 800W.
  4. Maximum combined current for the 12V outputs shall not exceed 64A.

## Features

- Hot Swappable Design
- PSII Formfactor Compatible
- Quick Removable Application
- Active Power Factor Correction
- Universal Power Input
- Current Sharing on +5V, +3.3V & +12V
- Remote DC Sense on +5V and +3.3V
- Power Fault Alarm Signals
- Front Panel LED to Indicate Power Status
- Over Voltage Protection
- Over Current Protection
- Over Power Protection
- Short Circuit Protection
- MTBF >100,000 Hours

## General Specifications

- Input Range: 100 to 240 VAC, ±10%
- Power Factor: 0.95 minimum
- Efficiency: 65% minimum, at full load
- Hold up Time: 20mS minimum, at full load
- PSON (Remote ON/OFF): TTL Signal
- Power Good: 100 to 500 ms, TTL Signal
- Cooling Fan: 40x40x28 mm
- Operating Temperature : 0 to 50°C
- Operating Humidity: 20 to 90%

## Agency Requirements

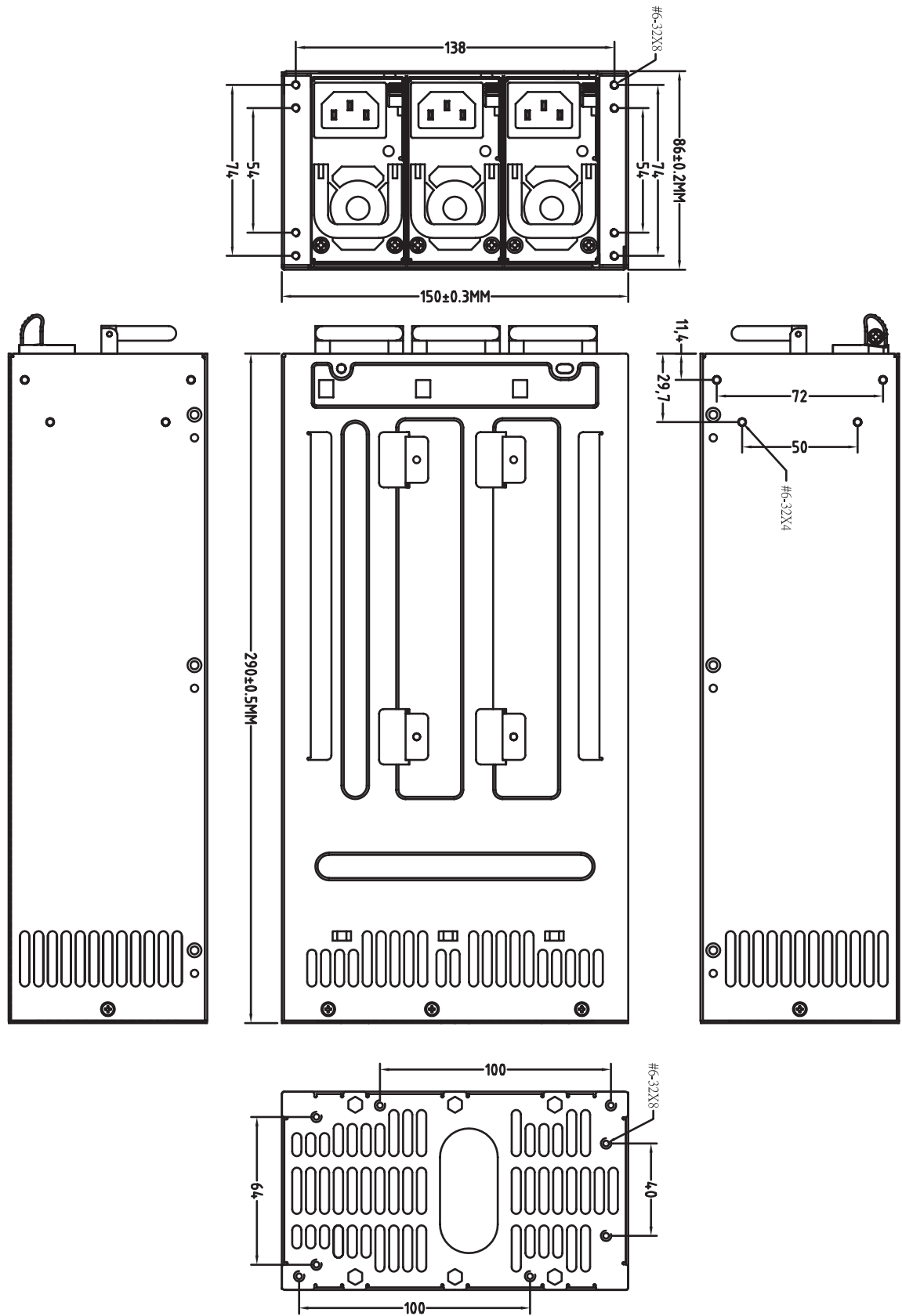
- Harmonic: Meet EN61000-3-2 standards
- EMI/RFI: CE, FCC class B, BSMI and CISPR class B
- Safety: UL, cUL, CB, TUV, CCC

## Application

- Rackmount
- Server
- Industrial PC

## Processors

- Xeon



Model No.: EFRP-3400  
Dimension: 150(W) x 86(H) x 290(D) mm