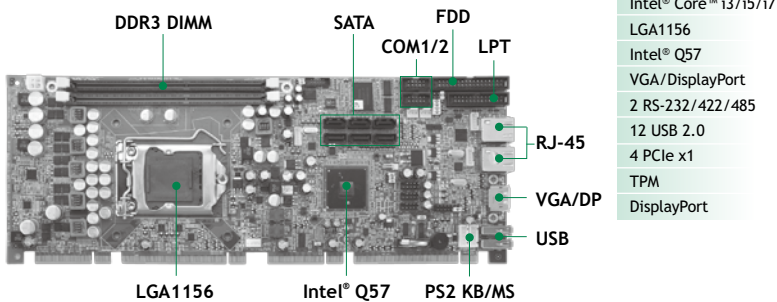


SHB103

LGA1156 Socket Intel® Core™ i3/i5/i7/Pentium® PICMG 1.3 Full-size CPU Card with Intel® Q57 Chipset, VGA, Dual LANs and Audio



Intel® Core™ i3/i5/i7
LGA1156
Intel® Q57
VGA/DisplayPort
2 RS-232/422/485
12 USB 2.0
4 PCIe x1
TPM
DisplayPort

Features

- LGA1156 socket for Intel® Pentium® (G6950) and Core™ i3/i5/i7 processor
- Intel® Q57 chipset
- 2 DDR3 1066/1333 DIMM support up to 8GB memory capacity
- Intel® AMT & TPM supported (optional)
- DisplayPort supported (optional)

System

CPU	LGA1156 socket for Intel® Core™ i7/i5/i3 & Pentium® processors
System Memory	2 x 240-pin DIMM supports DDR3-1066/1333 max up to 8GB
Chipset	Intel® Q57
BIOS	AMI
SSD	N/A
Watchdog Timer	255 levels, 1-255 sec.
Expansion Interface	1 x PCIe x16 graphics port supports for SDVO or PCIe x1 devices 1 x PCIe x4 for 1 x PCIe x4 or 4 x PCIe x1 I/O devices 4 x 32-bit PCI bus masters
Battery	Lithium 3V/220 mAH
Size	338 x 126mm
Temperature	0° C - +60° C (32° F - 140° F), operation
Operation Humidity	10% - 95% relative humidity, non-condensing

I/O

MIO	1 x FDD 1 x PS/2 keyboard 1 x PS/2 mouse 1 x LPT; with SPP/EPP/ECP supported 1 x RS-232/422/485 (COM 1) 1 x RS-232 (COM2)
SATA	6 x SATA-300 with RAID 0/1/10/5
Hardware Monitoring	Detect CPU/system temperature, voltage and support Smart Fan control
Ethernet	1 st port as 10/100/1000Mbps supports iAMT, Wake-on-LAN, RPL/PXE Boot ROM with Intel 82578DM 2 nd port as 10/100/1000Mbps supports Wake-on-LAN, RPL/PXE Boot ROM with Intel 82583V
Audio	HD Codec audio as MIC-in/Line-in/Line-out/speaker-out with Realtek ALC662
USB	12 x USB 2.0 ports
TPM	Infineon SLB9635 for trusted platform (optional)
SMBus	System Management Bus for advanced monitoring/control

Display

Chipset	Intel® HD Graphics
Memory Size	Intel® DVMT 5.0 compliant
Display Interface	1 x VGA 1 x DisplayPort (optional)

Packing List

Standard			
Quick installation guide, user's manual/utility CD, cable			
Cable			
Part Number	Description	SHB103VGGA Qty	SHB103PGGA Qty
59380502000E	COM + Print cable w/ bracket	1	1
593826A0000E	SATA signal cable 500mm	1	1

Ordering Information

Standard	
SHB103VGGA	LGA1156 Intel® Core™ i3/i5/i7 & Pentium® (P/N: E38C103101) PICMG 1.3 full-size CPU card with VGA, 2 10/100/1000Mbps and audio
SHB103PGGA	LGA1156 Intel® Core™ i3/i5/i7 & Pentium® (P/N: E38C103100) PICMG 1.3 full-size CPU card with DP and 2 10/100/1000Mbps