

BBS-2020-I

Fanless, Box PC with Atom™ N270, 4 COM, 3 USB, 12V DC Adapter

Bare Bone



Features

- » Fanless, box PC design
- » Intel® Atom™ N270 processor
- » VGA, Gigabit Ethernet, Audio port
- » 1 x 2.5" HDD space
- » 1 x CF socket
- » 4 x COM port, 3 x USB2.0 port
- » 12V DC adapter
- » Option for Wireless LAN module
- » Option for DVI display

System

SBC

HS-2621

CPU

Intel® Atom™ N270 processor 1.6GHz

System Chipset

Intel® 945GSE/ICH7-M

System Memory

1 x 200-pin SO-DIMM, DDR2 533MHz, Max. 2GB

Display Interface:

1 x D-SUB 15-pin

1 x DVI (option)

Audio Interface

Audio jack for MIC In, Line Out

Ethernet Interface

1 x RJ-45 for Gigabit Ethernet

1 x USB wireless LAN module (option)

Storage

1 x 2.5" SATA HDD space

1 x Type II CF socket

Watchdog Timer

Software programmable time-out intervals from 1~255 sec. or 1~255 min.

H/W Status Monitor

Monitoring temperatures, voltages status

Power

12V 60W DC adapter

Operating/Storage Temperature

0~45°C/-20~+70°C

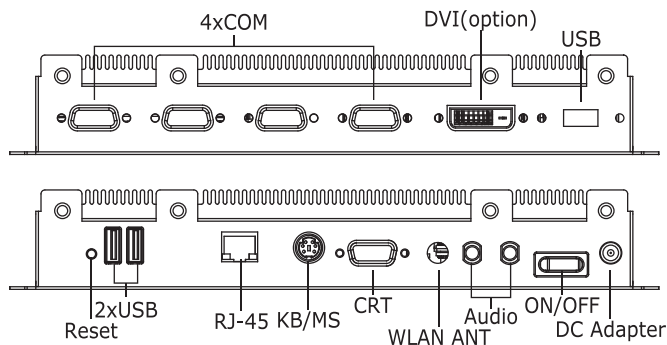
Certification

FCC/CE Class A compliance

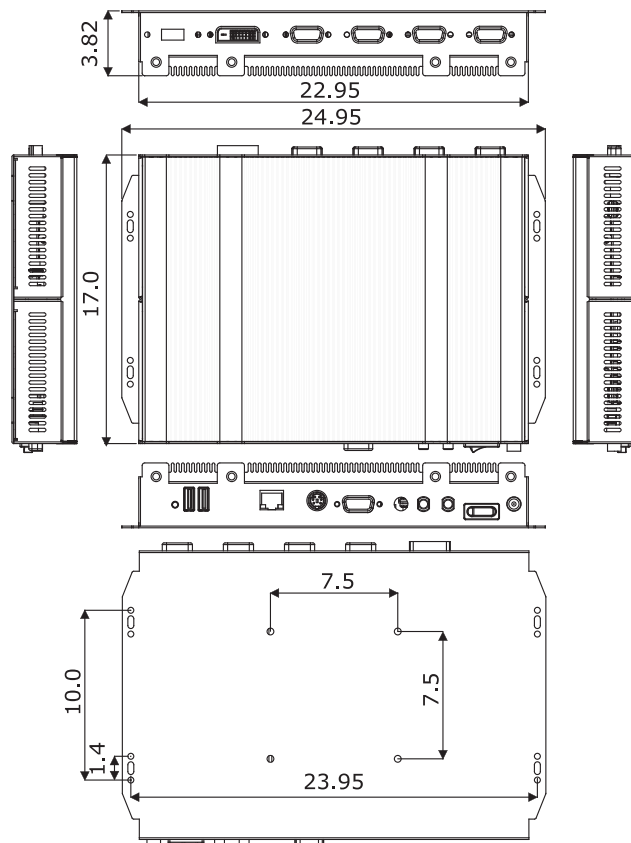
Dimensions

24.95(L) x 3.82(H) x 17.0(W) cm

I/O Interface



Dimensions (unit:cm)



Ordering Information

BBS-2021-I

Fanless, Box PC w/Atom™ 1.6GHz CPU, 4 COM, 3 USB, 12V DC Adapter

BBS-2021-I/DVI

Fanless, Box PC w/Atom™ 1.6GHz CPU, 4 COM, 3 USB, 12V DC Adapter

Accessory Options

Memory Module, CF Module, Wireless LAN Module, 2.5" HDD