



### Features :

- 4U 19" Rackmount Flat Door Chassis with 8.4" TFT LCD
- 8x 3.5" Disk Drive Bay and 2x 5.25" Disk Drive Bay
- Front 8.4" TFT LCD screen (Optional touch screen)
- There cooling fan designed for optimizing the system's airflow
- Front LED indicator for PWR and HDD
- Lockable Front Door for Protecting the Running System
- AT/ATX Back Window optional
- Special hold-down clamp with flexible adjust

### Specifications

System	
Construction	Heavy-duty Steel
Technics	Surface machining of spray-paint, high temperature firing
Storage	Internal: 8x 3.5" Disk Drive Bay External: 2x 5.25" Disk Drive Bay
System Fan	Two front cooling FAN, One top cooling FAN
Front Panel	1x Reset Button, 1x Power Switch, 1x keyboard-Lock Button, 1x HDD LED, 1x Power LED, TFT LCD Menu-key (LCD Power Switch, Menu Exit/Select, Menu Right, Menu Left, LCD Menu Switch, Menu Auto)
Rear Panel	AT/ATX back window optional, 1x VGA connector
Air filter	One hole for air filter on front panel
Color	Black/Beige
Power	AT/ATX
Dimensions	19"×21.26"×15.35", 482mm×540mm×177mm (W×D×H)
Carton Size	31.57"×27.09"×6.97", 802mm×688mm×390mm (W×D×H)
Net Weight	63.93lb±1lb (29Kg±0.5Kg)
Gross Weight	72.75lb±1lb (33Kg±0.5Kg)
LCD Screen	
Module	8.4" SVGA Color TFT LCD
Screen Diagonal	213.4mm ( 8.4")
Pixel H×V	800×600
Pixel Pitch	0.213×0.213(H×V)
Typical White Luminance	220 cd/m <sup>2</sup> (center) (ICFL=4.6 mA)
Contrast Ratio	500: 1
Electrical Interface	1 channel LVDS
Support Color	Native 262K colors (RGB 6-bit driver)
Physical Size	203mm×142.5mm×5.7mm (W×D×H)
Touch Screen(optional)	
Technology	Four-wire Analog Resistive
Active Area	172.4×129.8(H×V)
Resolution	800×600
Life-span	Any point can be touched more than 5 million times
Orientation	Less than 2.03mm
Induction strength	100g
Permeation	>90%
Environmental	
Operating Temperature	32°F ~ 131°F (0°C ~ 55°C)
Storage Temperature	-4°F ~ 185°F (-20°C ~ 80°C)
Operating Humidity	5~95%
Storage Humidity	5~95% @ 40°C, non-condensing
Vibration	0.5G/5~500Hz/operation (3.5" Hard Disk Drive) 1.5G/5~500Hz/no operation
Shock	15G peak acceleration (11 m sec. duration), operation; 30G peak acceleration (11 m sec. duration), non operation
EMC	FCC/CE Class B

### Packing List

- **0811500029**  
Power Cord
- **4000060089**  
HDD Screw
- **1630350609**  
PSU Screw
- **0000000000**  
USB Cable
- **9041019509**  
Removable Cotton filter
- **0000000000**  
rubber column
- **0000000000**  
VGA Cable

### Ordering Information

- **RPC-919**  
4U 19" Rackmount Chassis, Shell/Black, lockable door, 2x USB, PC board/industry backplane supported, 7x 3.5" drive bay, 3x 5.25" drive bay, 2x intake fans, 1x exhausted fans certification: FCC&CE Class B
- **RPC-919T**  
4U 19" Rackmount Chassis, Shell/Black, lockable door, Touch Screen, 2x USB, PC board/industry backplane supported, 7x 3.5" drive bay, 3x 5.25" drive bay, 2x intake fans, 1x exhausted fans certification: FCC&CE Class B

### Power Supply Options

- **PW-300**  
300W ATX PSU, input: 180~260V/AC@47~63Hz, output: +3.3v, +5V, +12V, -12V, +5VSB
- **PW-350**  
350W ATX PSU, input: 180~260V/AC@47~63Hz, output: +3.3v, +5V, +12V, -12V, +5VSB

### Backplane Options

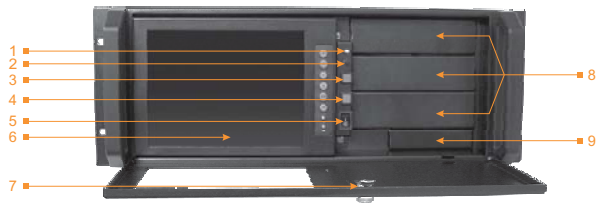
- **PBP-08P4**  
8-slot Backplane, 2x PICMG1.0 slots, 4x PCI slots, 2x ISA, Size: 270mm×191mm, AT/ATX supported
- **PBP-14I**  
14-slot Backplane, 14x ISA, Size: 315.5mm×173.5mm, AT/ATX supported
- **PBP-14P4**  
14-slot Backplane, 2x PICMG1.0 slots, 4x PCI Slots, 8x ISA, Size: 323mm×270mm, AT/ATX supported

### Rear I/O shielding Options

- **PRC-919-AT**  
AT I/O shielding, can be applied to industry backplane
- **PRC-919-ATX**  
ATX I/O shielding, can be applied to PC board

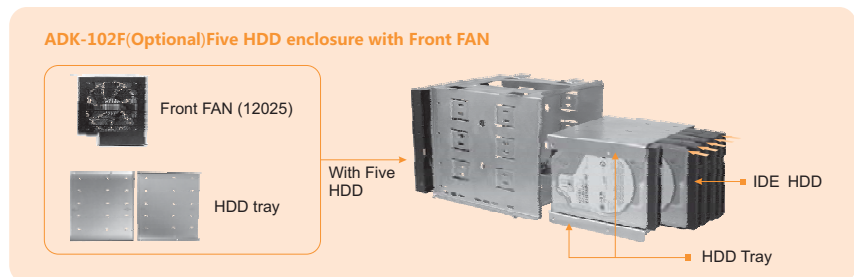
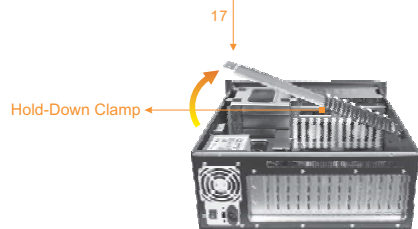
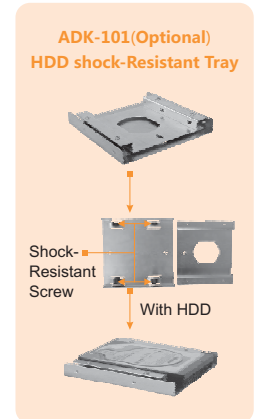
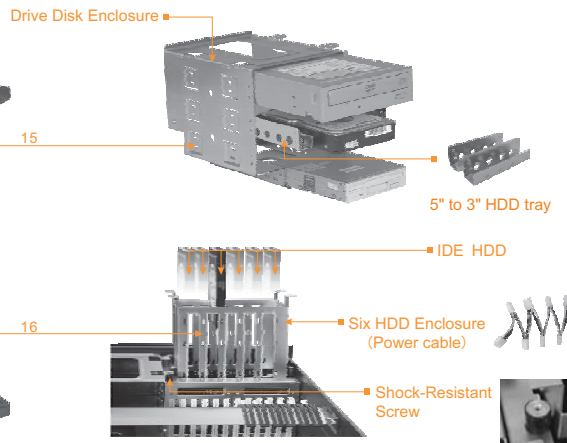
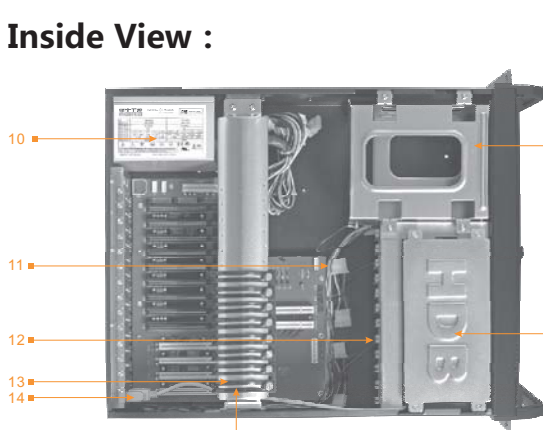
# RPC-919 4U 19" Rackmount Flat Chassis with 8.4" TFT LCD

## Front Panel :

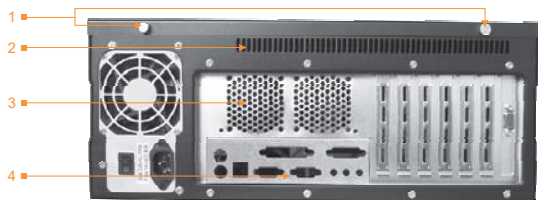


- |                        |                        |                               |
|------------------------|------------------------|-------------------------------|
| 1、Power LED            | 7、Locker               | 13、Flexible adjust card clamp |
| 2、HDD LED              | 8、5.25" Drive Bay      | 14、VGA Cable                  |
| 3、Reset Button         | 9、3.5" Drive Bay       | 15、Drive Enclosure            |
| 4、Keyboard Lock Button | 10、PW-300 Power Button | 16、Six HDD enclosure          |
| 5、Power Switch         | 11、FAN Power Cable     | 17、Hold-Down Clamp            |
| 6、8.4" TFT LCD         | 12、CPU card slot       |                               |

## Inside View :



## ATX Back Window :



- 1、Screw for Top Cover
- 2、Cooling Hole
- 3、FAN Assemble position (for 60mm FAN)
- 4、ATX I/O

## AT Back Window :

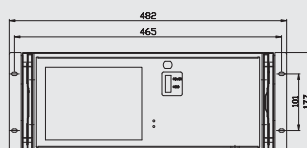


- 1、Power Supply(AT/ATX)
- 2、Expansion Slot (PCI/ISA)
- 3、VGA Port

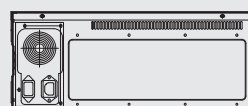


## Dimensions

Front:



Rear:



Top:

