



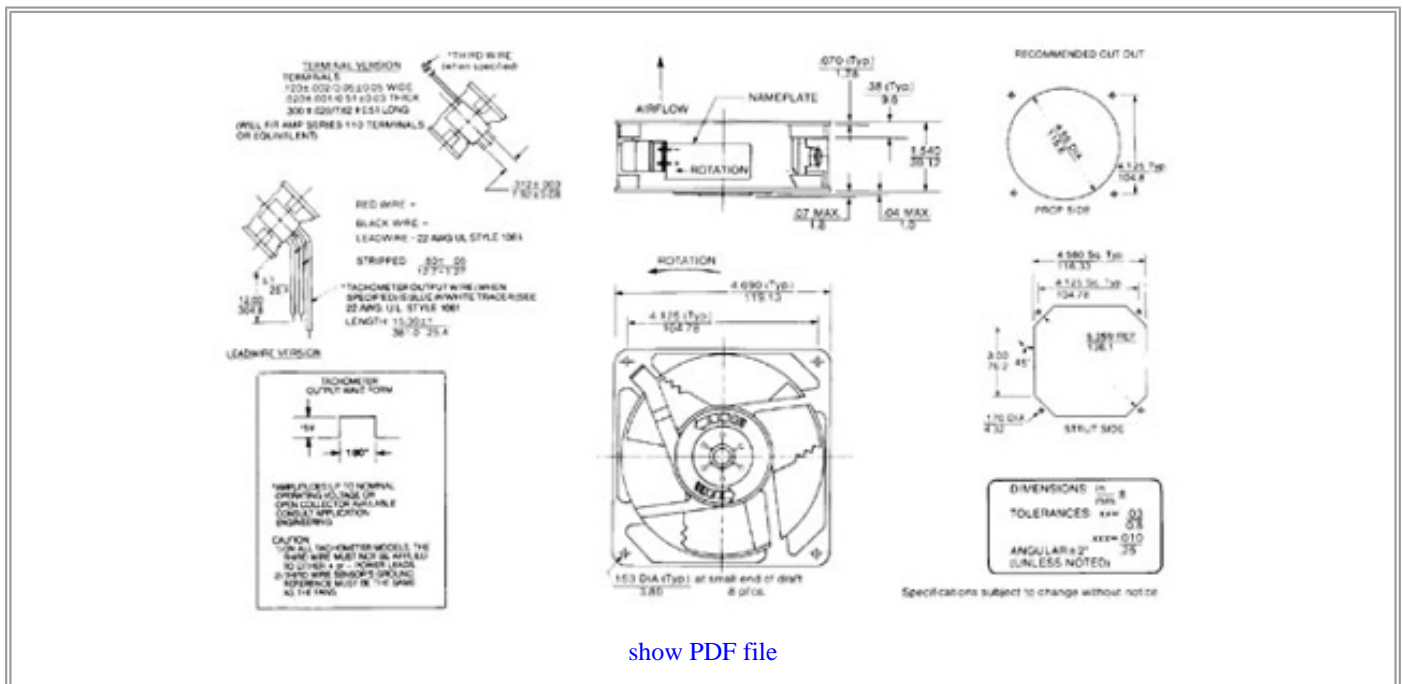
Muffin XL DC (DC Fan)

COMAIR ROTRON PART NUMBER: **028869**
 COMAIR ROTRON MODEL NUMBER: **MD24B2**



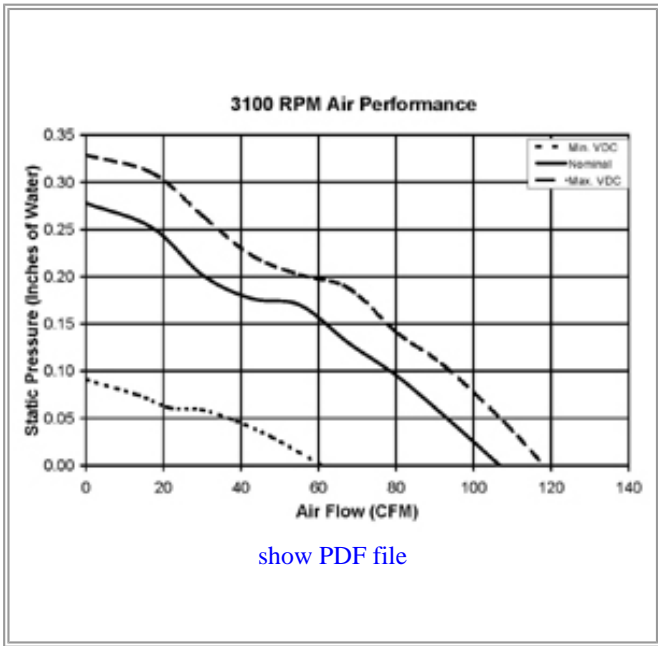
MOTOR	
Rated Voltage:	24
Operating Voltage Range:	12 - 28
Running Current: 50Hz 60Hz (amps)	
Locked Rotor Current: (amps)	0.75
Rated Power: 50Hz 60Hz (watts)	
Nominal Speed: 50Hz 60Hz (rpm)	

MECHANICAL	
Dimensions:	120mm x 38mm (4.72in x 1.50in)
Bearing Type:	Ball
Motor Base:	Metal
Propeller:	Polypropylene



[show PDF file](#)

NOTES



PERFORMANCE CHARACTERISTICS

Air Flow: (CFM)	110
Static Pressure:	.279

TERMINATION

Leadwires:	Terminals
------------	-----------

SAFETY



All product names are used under license and are trademarks or registered trademarks of Comair Rotron, Inc.

[New Search](#)