

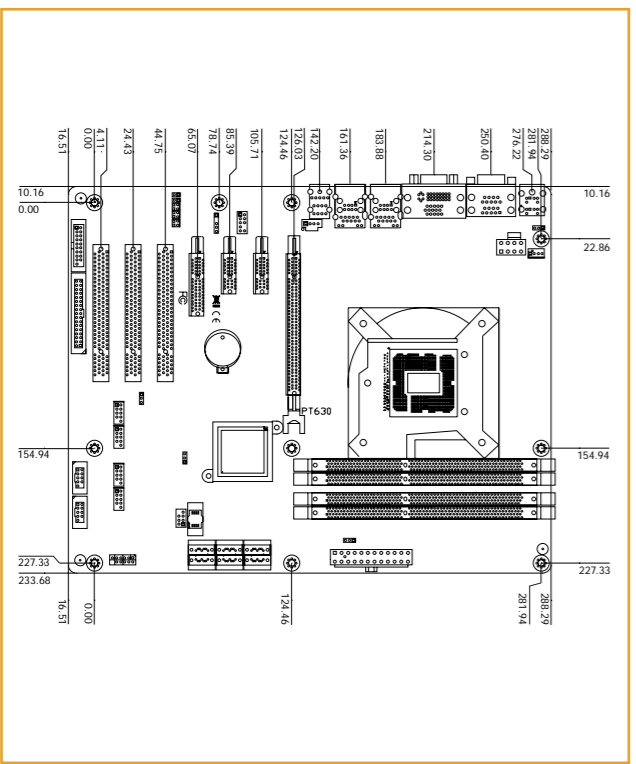
- ### Features
- CHIPSET** Intel® Q57 PCH
 - CPU** Intel® Core™ i7/i5/i3 Intel® Pentium®
 - MEMORY** 4 DDR3 DIMM up to 16GB
 - EXPANSION** 1 PCIe x16, 1 PCIe x4, 2 PCIe x1, 3 PCI
 - DISPLAY OUTPUTS** 1 DVI-I (DVI-D signal), 1 VGA
 - LAN** 2 Gigabit LAN
 - COM** 4 COM
 - USB** 12 USB 2.0
 - SATA** 6 SATA 2.0
 - DIO** 8-bit DIO

Specifications

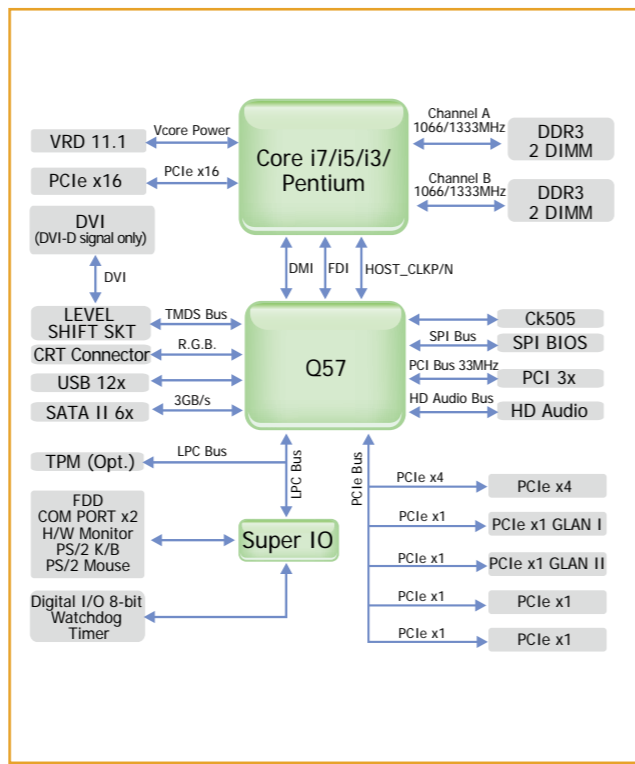
- PROCESSOR**
 - LGA 1156 socket for:
 - Intel® Core™ i7-860 2.80GHz/8M
 - Intel® Core™ i5-750 2.66GHz/8M
 - Intel® Core™ i5-660 3.33GHz/4M
 - Intel® Core™ i3-540 3.06GHz/4M
 - Intel® Pentium® G6950 2.80GHz/3M
- CHIPSET**
 - Intel® Q57 PCH (Platform Controller Hub)
- SYSTEM MEMORY**
 - Four 240-pin DDR3 DIMM sockets
 - Supports DDR3 1066/1333MHz
 - Supports maximum memory bandwidth of 21GB/s in dual-channel mode when using DDR3 1333MHz
 - Supports dual channel memory interface
 - Supports up to 16GB system memory
- EXPANSION SLOTS**
 - 1 PCI Express x16 slot (PCIe 2.0)
 - 1 PCI Express x4 slot (PCIe 1.0)
 - 2 PCI Express x1 slots (PCIe 1.0)
 - 3 PCI slots (PCI 2.3)
- ONBOARD GRAPHICS FEATURES**
 - Intel® HD Graphics
 - VGA display resolution up to 2048x1536
 - Supports 3D, 2D and video capabilities
 - Note: Both Intel® Core™ i7-860 and Core™ i5-750 CPUs does not support integrated graphics.

- TRUSTED PLATFORM MODULE (TPM) - optional**
 - Provides a Trusted PC for secure transactions
 - Provides software license protection, enforcement and password protection
- REAR PANEL I/O PORTS**
 - 1 mini-DIN-6 PS/2 mouse port
 - 1 mini-DIN-6 PS/2 keyboard port
 - 2 DB-9 RS232 serial ports
 - 1 DB-15 VGA port
 - 1 DVI-I port (DVI-D signal)
 - 2 RJ45 LAN ports
 - 4 USB ports
 - Mic-in, line-in and line-out jacks
- I/O CONNECTORS**
 - 4 connectors for 8 external USB 2.0 ports
 - 2 connectors for 2 external COM ports
 - COM4 supports RS232/485
 - 1 8-bit Digital I/O connector
 - 1 front audio connector for line-out and mic-in jacks
 - 1 CD-in connector
 - 1 S/PDIF connector
 - 6 Serial ATA ports
 - 1 FDD connector
 - 1 24-pin ATX power connector
 - 1 8-pin 12V power connector
 - 1 chassis intrusion connector
 - 1 front panel connector
 - 2 fan connectors
- BIOS**
 - AMI BIOS
 - 64Mbit SPI BIOS
- ENERGY EFFICIENT DESIGN**
 - ACPI 3.0 specification
 - Wake-On-Events include:
 - Wake-On-PS/2 Keyboard/Mouse
 - Wake-On-USB Keyboard/Mouse
 - Wake-On-LAN
 - Enhanced Intel® SpeedStep Technology
 - Dynamic FSB frequency switching
- DAMAGE FREE INTELLIGENCE**
 - Monitors CPU/system temperature and overheat alarm
 - Monitors Vcore/+5V/+12V/SM/+3.3V/VBAT voltages and failure alarm
 - Monitors CPU/system fan speed and failure alarm
 - Read back capability that displays temperature, voltage and fan speed
 - Watchdog timer function
- TEMPERATURE**
 - Operating: 0°C to 60°C
 - Storage: -20°C to 85°C
- HUMIDITY**
 - 10% to 90%
- DIMENSIONS**
 - ATX form factor
 - 305mm (12") x 244mm (9.6")

Mechanical Drawing



Block Diagram



- ONBOARD AUDIO FEATURES**
 - Realtek ALC262 2-channel High Definition Audio
 - Two 24-bit stereo DACs and three 20-bit stereo ADCs
 - S/PDIF audio interface
- ONBOARD LAN FEATURES**
 - One Realtek RTL8111DL PCI Express Gigabit Ethernet controller
 - One Intel® W82578DM with iAMT6.0 Gigabit Ethernet PHY
 - Supports 10Mbps, 100Mbps and 1Gbps data transmission
 - IEEE 802.3 (10/100Mbps) and IEEE 802.3ab (1Gbps) compliant
- SERIAL ATA (SATA) INTERFACE**
 - 6 Serial ATA ports compliant with SATA 1.0 specification
 - SATA speed up to 3Gb/s (SATA 2.0)
 - Supports RAID 0/1/5/10
- INTEL ACTIVE MANAGEMENT TECHNOLOGY (AMT)**
 - Supports iAMT6.0
 - Out-of-band system access
 - Remote troubleshooting and recovery
 - Hardware-based agent presence checking
 - Proactive alerting
 - Remote hardware and software asset tracking

Packing List

- 1 PT630-NRM motherboard
- 2 Serial ATA data cables
- 2 Serial ATA power cables
- 2 USB cables
- 1 COM port cable (with bracket)
- 1 I/O shield
- 1 CD
- 1 QR (Quick Reference)

Optional Items

- USB port cable
- COM port cable
- Serial ATA data cable
- Serial ATA power cable