

WARNING

Note: This equipment has been tested and found to comply with the limits for a Class B device, pursuant to Part 15 of FCC Rules. These limits are designed to provide reasonable protection against harmful interference in a residential installation. This equipment generates, uses and can radiate radio frequency energy and, if not installed and used in accordance with the instructions, may cause harmful interference to radio communications however, there is no guarantee that interference will not occur in a particular installation. If this equipment does cause harmful interference to radio or television reception, which can be determined by turning the equipment off and on, the user is encouraged to try to correct the interference by one or more of the following measures:

- Reorient or relocate the receiving antenna.
- Increase the separation between the equipment and receiver.
- Connect the equipment into an outlet on a circuit different

from that to which the receiver is connected.

- Consult the dealer or an experienced radio / TV technician for technician for help.

Notice: Changes or modifications not expressly approved by the part responsible for compliance could void the user's authority to operate the equipment.

This device complies with Part 15 of the FCC Rules. Operation is Subject to the following two conditions: (1) this device may not cause

Unwanted Interference and (2) this device must accept any interference

SCOPE

The purpose of this specification is to define the electrical and mechanical characteristics of the " Scorpius P6 ".

GENERAL

Description

The touchpad keyboard - Scorpius P6 has an enhanced slim design, which works with IBM PC PS/2 compatible computer. Utilizing the latest in rubber mechanical key switch technology, the Scorpius P6 offers durability and style that will enhance any system for years to come.

Features

- Great performance in business applications with touchpad
- Standard left and right mouse button function
- Best reliability and safety Successfully --- passed 1,000,000 cycles of safety key

Package information

- Scorpius P6 keyboard
- User's guide

System requirements

- IBM or compatible system
- Perfect for Windows® 98 / 2000 / ME / XP

Electrical specification

Environmental of Temperatures	
Operating temperature	0 to 50 °C
Non-operation temperature	-10 to 60 °C
Cool storage	-10 °C, 24Hours
Humidity storage	85%, 24Hours
Humidity Test	
Condition temperature	25 ~55 °C
Operating humidity	10% to 85%
Non-operation Humidity	10% to 85%
Heat storage	60 °C, 24Hours
Performance specification	
Encoder	Opto-Mechanical
Switch Life	1,000,000 cycles life
Supply voltage	5 V+5%
Current consumption	Max 64.6 mA

Button operation force	28~114gf
Travel distance	2.2mm+0.3mm
Environmental of electrical	
Shock test	The keyboard shall withstand a shock equal to 20G forces, half sine wave for 11 msec duration in all three (3) orthogonal axes.
Drop test (unpackage)	Drop the keyboard from 60 cm height above a wood board 15mm thick placed on a concrete floor, 3 times in the same direction.
EMI / EMC	
CE FCC BSMI	

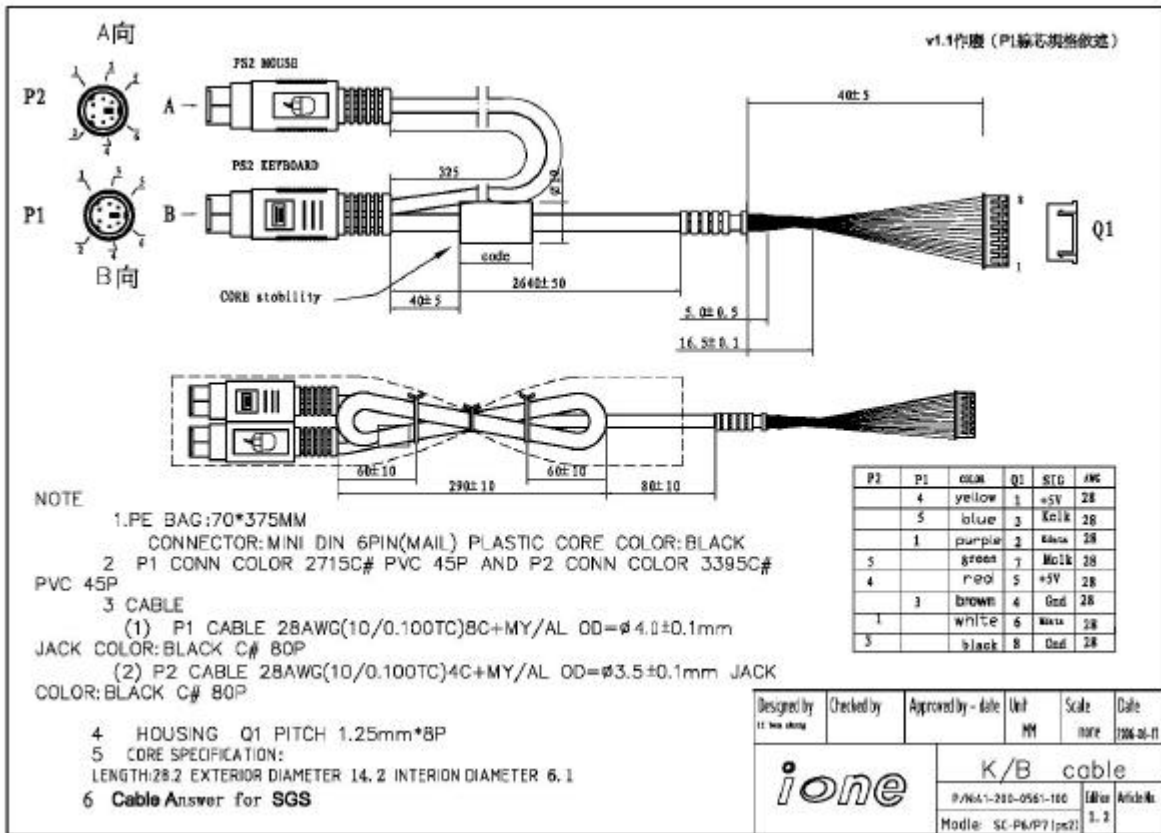
Mechanical specification

Material	
Cover	HIPS
Key top	HIPS
PC Board	Paper phonemic
Switch Housing	Thermoplastic.
Switch Material	
Pre-travel	0.25-1.3mm.
Hysteresis	0.04-0.18mm.
Life cycling (no load)	1,000,000 cycles
Ambient temper. used	-25 ~ +60
Dimension	
Length	378 mm
Width	138 mm
High	19 mm
Rubber/ Membrane	
Rubber Dome contact Resister	100 (max)
Membrane Contact Resister	100
Membrane Open Resister	10M
Body colors	
Upper color	Black C
Lower color	Black C
Key color	Black C
Cable color	Black C
Label color	White

V. Physical



VI. Cable specification



Connector Pin Assignments

The standard connector pin out for PS/2 is as follows:

PINS	DESCRIPTION	SIGNAL
1	Keyboard Clock	+5Vdc Signal
2	Keyboard Data	+5Vdc Signal
3	NC	NC
4	Ground	CLOCK
5	Power Supply	+5Vdc

VII. DIAGRAM

