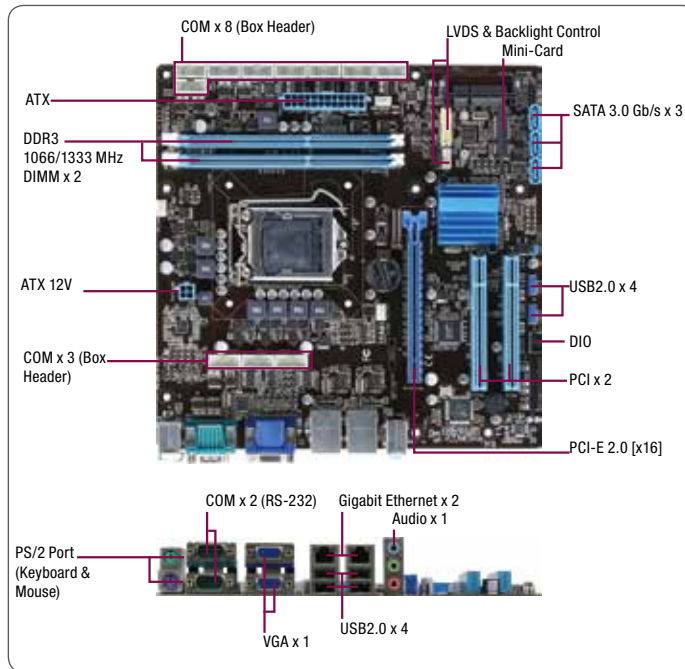


IMBM-H61B

Micro-ATX Board with Intel® 3rd/2nd Generation Core™ i7/i5/i3 Processor, COM x 13 & USB x 8



Features

- Intel® Socket 1155 for 2nd/3rd Generation Core™ i7/i5/i3 Processor
- Intel® H61 Express Chipset
- DDR3 1066/1333 MHz DIMM x 2, Up to 16 GB
- Realtek RTL8111F x 2, Gigabit Ethernet x 2
- Realtek ALC887
- VGA x 2, LVDS Dual Independent Displays
- COM x 13, USB 2.0 x 8, SATA 3.0 Gb/s x 3, CFast™ x 1
- PCI-E [x16] x 1, PCI x 2, Mini-Card x 1



Specifications

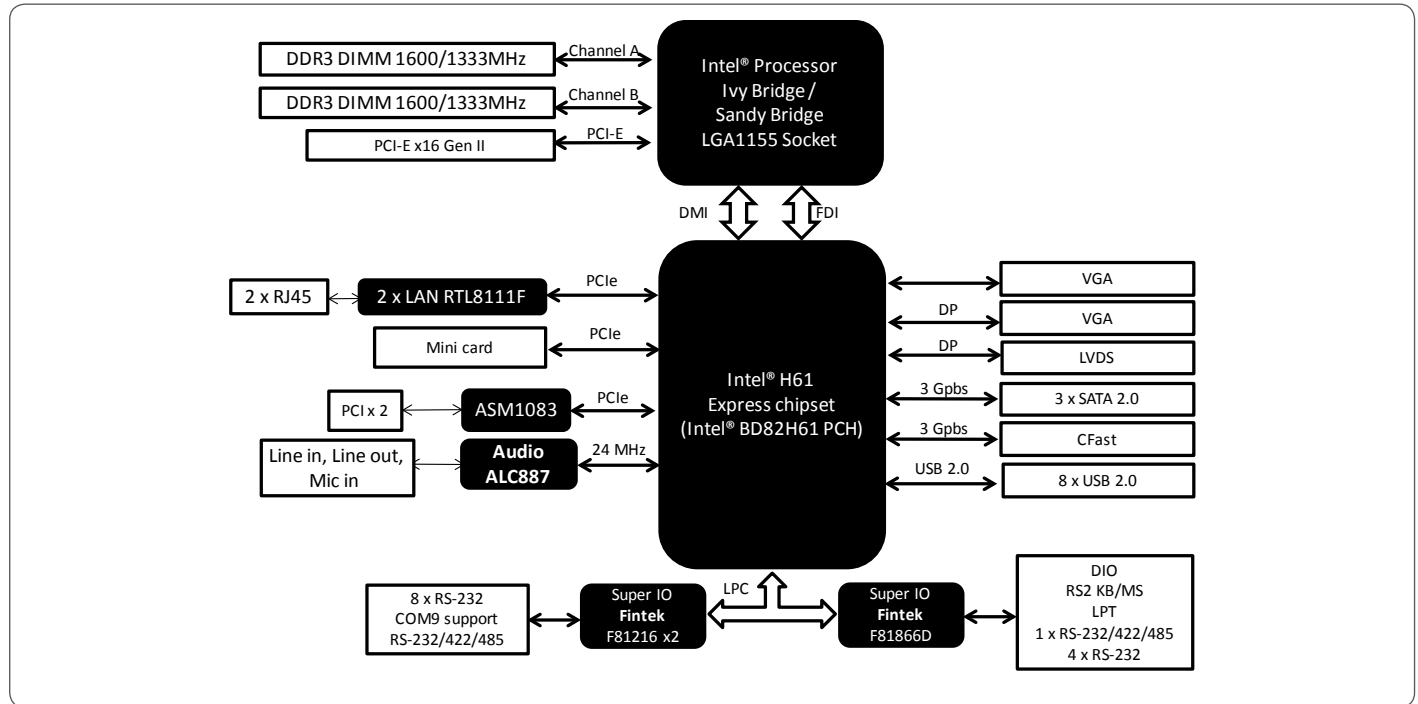
System	
Form Factor	Micro ATX
Processor	LGA1155 socket for Intel® 2nd/3rd Generation Core™ i7/i5/i3/Pentium®/Celeron® Processors
System Memory	DDR3 1066/1333 MHz DIMM x 2, up to 16 GB, non-ECC un-buffered memory, Dual channel memory architecture
Chipset	Intel® H61 Express Chipset
I/O Chipset	Fintek 81866D (5 COM) + Fintech 81216HD (8 COM) x 2
Ethernet	Realtek RTL8111F x 2, Gigabit Ethernet, RJ-45 x 2
BIOS	64Mbit Flash ROM, AMI BIOS
Wake On LAN	Yes (WOL/PXE)
Watchdog Timer	1~255 steps by software program
H/W Status Monitoring	Temperature Monitor on CPU/System Voltage Monitor on Vcore/5V/3.3V/12V Fan Monitor on CPU/ Chassis
Expansion Interface	PCI-E 2.0 [x16] x 1, PCI x 2, Mini-Card x 1
Battery	Lithium battery
Power Requirement	24-pin ATX connector x 1, 4-pin ATX 12V Power connector x 1
Power Consumption (Typical)	Intel® Core™ i7-2600, Transcend DDR3 1333 8 GB x 2 9.73A@+12V, 0.33A@+5V, 1.57A@+3.3V
Board Size	9.6" x 9.6" (244 mm x 244 mm)
Gross Weight	1.55 lb (0.7 kg)
Operation Temperature	32°F ~ 140°F (0°C ~ 60°C)
Storage Temperature	-40°F ~ 185°F (-40 °C ~ 85°C)
Operation Humidity	0% ~ 90% RH, non-condensing
MTBF (Hours)	153,000
Display	
Chipset	Intel® Graphics Media Accelerator
Graphic Engine	Intel® HD Graphic Support, Dual independent Display
Resolution	Up to 1920 x 1200 @75 Hz for VGA Up to 1920 x 1200 @60 Hz for LVDS Dual Channel, 18/24-bit
Output Interface	VGA_1 + LVDS, VGA_1 + VGA_2, LVDS + VGA_2
I/O	
Storage	SATA 3.0 Gb/s x 3, CFast™ socket x 1
Serial Port	RS-232/422/485 box header x 2 (COM4 & COM9, COM4 Supports optional 5V/12V/RI) RS-232 DB-9 connector x 2 (COM1, COM2) on rear I/O RS-232 Box header x 9 (COM3, COM5~8, COM10~13)
Parallel Port	SPP/EPP/ECP
Digital I/O	8-bit Digital I/O interface (In/Out Programmable)
Universal Serial Bus	USB 2.0 x 8, 4 ports on mid-board, 4 ports on back panel)
PS/2 Port	PS/2 Port (Keyboard & Mouse) x 2
Audio	Realtek ALC887, Line-in, Mic-in, Line-out

Packing List

- 1701100260
COM Cable (4P, 260MM, p=2.54mm) w/bracket
- SATA Cable x 2
- I/O Shield
- Product CD
- IMBM-H61B

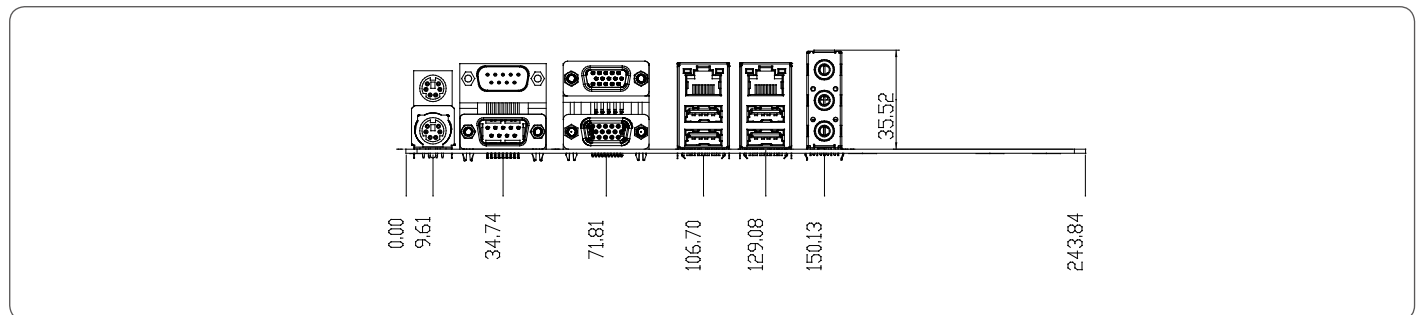
IMBM-H61B

Block Diagram



Dimension

Unit: mm



Ordering Information

Part Number	CPU	RAM	Fan/Fanless	Storage	Display	LVDS	LAN	USB	RS-232	RS-232/422/485	Expansion Slot	Power	Temp.
IMBM-H61B-A10	Socket	DIMM	Fan	SATA2 x 3 CFast™ x 1	VGA x 2/ LVDS	18/24b, 2CH	GbE x 2	USB 2.0 x 8	11	2	PCI-E [x16] x 1 PCI x 2 Mini-Card x 1	ATX	0°C ~ 60°C

Optional Accessories

- **1709100330**
USB 2.0 cable (9P, 330MM, p=2.54mm, w/bracket)
- **170910020K**
USB 2.0 cable (9P, 200MM, p=2.54mm, w/o bracket)
- **1701260305**
LPT Cable (25P, 270MM)
- **175921156B**
CPU Cooler (2-Ball, Push-pin Type)
- **1759200172**
CPU Cooler (2-Ball, Screw with Retention Plate)
- **1709070800**
SATA Cable