

Digital Signage Player



Fanless AMD Embedded G-Series Platform Signage Player

SI-08



Designed for Signage Solution

Fanless



Features

- AMD G-series Dual-Core Processor
- Integrated 80 Core DirectX 11 GPU in processor
- On/Off Scheduler
- Support DDR3 1333MHz memory up to 4G
- mPCIe(x1) slots for WiFi + Bluetooth Option
- One RS232 serial port
- Fanless and compact design

Specifications

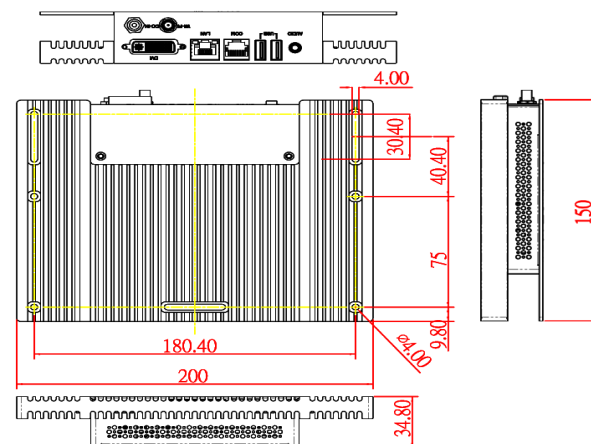
System Mainboard	EB900-16-SI
CPU Type	AMD G-Series Dual-Core APU (Accelerated Processing Unit): T56N=1.65GHz @ 18W TDP
CPU Package	413-BGA
Chipset	AMD A55M Controller Hub
Memory	DDR3-1333
Graphics	ATI Radeon HD6320 series graphics processing system integrated in APU • DirectX 11 • Direct Compute 11 • Open GL 4.0 • OpenCL 1.1 • UVD3 Hardware Video Decoder – MPEG2, MPEG4, H.264, VC-1, WMV9 • Hybrid-DVI connector supporting CRT, DVI, or HDMI devices
LAN	1x Realtek RTL8111C PCI-E Gigabit LAN controller
Expansion Slots	1x mPCIe(x1) slots for optional WiFi + Bluetooth board
I/O Interface	1x Hybrid-DVI (supports CRT, DVI or HDMI) 2x USB 2.0 ports 1x RJ45 for Gigabit LAN 1x RJ45 for RS232 serial port 1x Microjack Audio connectors for Line-in or Line-out
Watchdog Timer	256 segments, 0, 1, 2...255 (sec/min)
Power Requirement	+12V DC-in
Construction	Aluminum
Weight	TBC
Chassis Color	Black & White
Storage	1x 2.5" HDD drive bay
Power Supply	60W power adaptor
Mounting	Slim design with wall mounting holes
Dimensions	200mm(W) x 150mm(D) x 34.8mm(H)

Environmental

Operating Temperature	0°C ~ 40°C (32°F ~ 104°F)
Storage Temperature	-20° ~ 80°C (-4°F ~ 176°F)
Relative Humidity	5~90% @ 45°C, (non-condensing)
Vibration	SSD: 5 grms / 5~500Hz / random operation HDD: 0.25 grms / 5~500Hz / random operation

Ordering Information

SI-08	Signage System w/ AMD T56N APU 1.65GHz, 2GB RAM, 160GB HDD, 60W power adaptor
-------	---



Remarks:
 * Specifications are subject to change without prior notice.