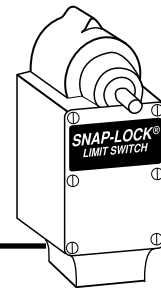


Single Pole
Standard Environment

Limit Switches

Sliding
Contacts



Limit Switches

The versatility of the Snap-Lock mechanism is gained through the use of a series of uniquely designed cams. The cam and cam mechanism allow features such as bi-directional operation and generous overtravel. These features make the EA710 Series one of the most popular. Can be furnished with Standard, Wide or Long mounting.

EA710 Single Pole 1 N.O. - 1 N.C. / Sliding Contacts / Cam Action

Standard Mounting Model No.	Wide Mounting Model No.	Long Mounting Model No.	Dir. Of Operation	Angle A Trip Travel	Angle B Reset Travel	Angle C Recom. Travel	Angle D Total Travel	Angle E Min. Travel to Maintain	Angle F Overall Travel	Torque (inch lbs)	Contact Config.	Data Drawing
STANDARD TRAVEL												
EA710-10000	EA710-40000	EA710-70000	CW	18°	14°	30°	90°	-	-	15	A	1
EA710-10001	EA710-40001	EA710-70001	CCW	18°	14°	30°	90°	-	-	15	B	1
EA710-10100	EA710-40100	EA710-70100	CW/CCW	18°	14°	30°	90°	-	-	15	C	1
MAINTAINED CONTACTS AND LEVER POSITION												
EA710-16000	EA710-46000	EA710-76000	CW	55°	22°	60°	116°	55°	64°	6	D	2
			CCW	25°	25°	60°	124°	54°	56°	9		

Common Switch Characteristics

SINGLE POLE, STANDARD ENVIRONMENT, SLIDING CONTACTS	
NEMA Enclosure Type	1, 4, 13
Housing Material	Zinc
Ambient Temperature Range*	-20°C to +90°C
Shipping Weight	3 lbs. approx.
Lever Adjustment	7°30' Increments Thru 360°
Contacts	Sliding, Silver Alloy, Form Z

Continuous Current Rating - Amperes

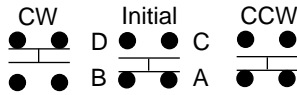
VOLTAGE	AC	DC
125	10.0	2.5
250	7.5	.75
480	5.0	-
600	2.5	-

75-100% Power Factor

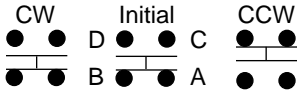
See Operating Levers Section

Contact Configurations

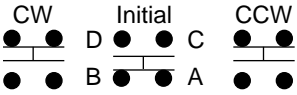
CIRCUIT A



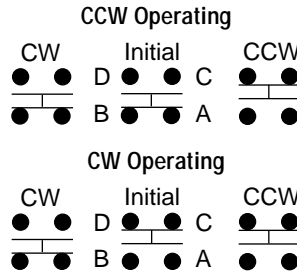
CIRCUIT B



CIRCUIT C

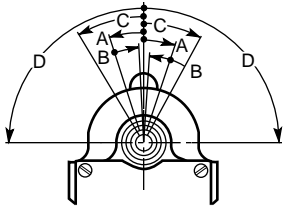


CIRCUIT D

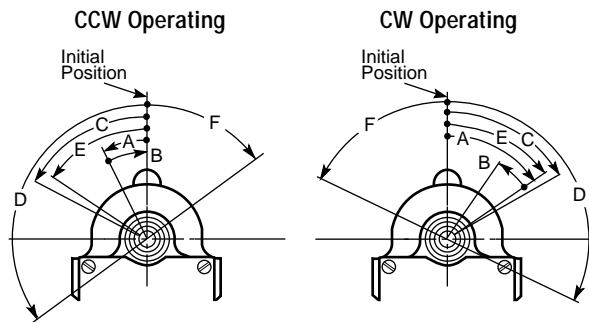


Operational Data Drawings

DRAWING #1



DRAWING #2

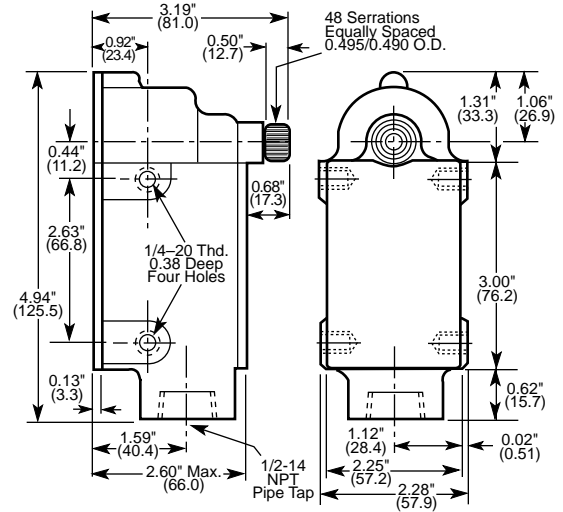


To change switch operation from CW operating to CCW operating, operate switch through angle E. Remove lever and reset at initial position.

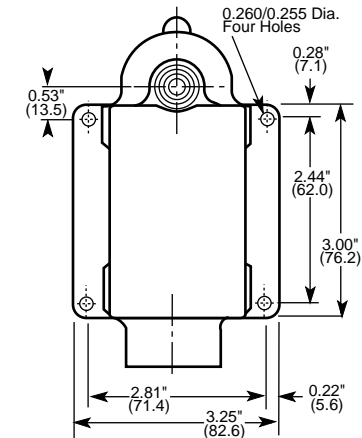
Dimensions and Mounting

EA710

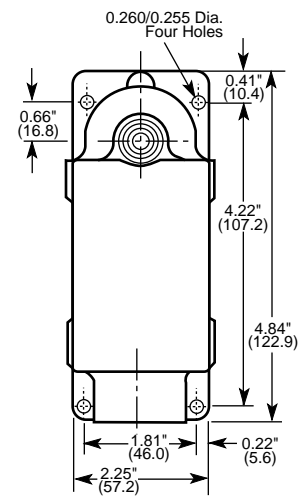
STANDARD MOUNTING PLATE



WIDE MOUNTING PLATE



LONG MOUNTING PLATE



Dimensions: inches/(mm)

Limit Switches



2013 West Meeting Street • Lancaster, SC 29720
1-803-286-8491 • FAX: 1-800-678-6263
www.namcocontrols.com

For technical assistance, call 1-800-NAMTECH