



Muffin - MC24A3 - 032208 - No
(Family) (Model) (Part #) (In Stock)

Electrical Specifications

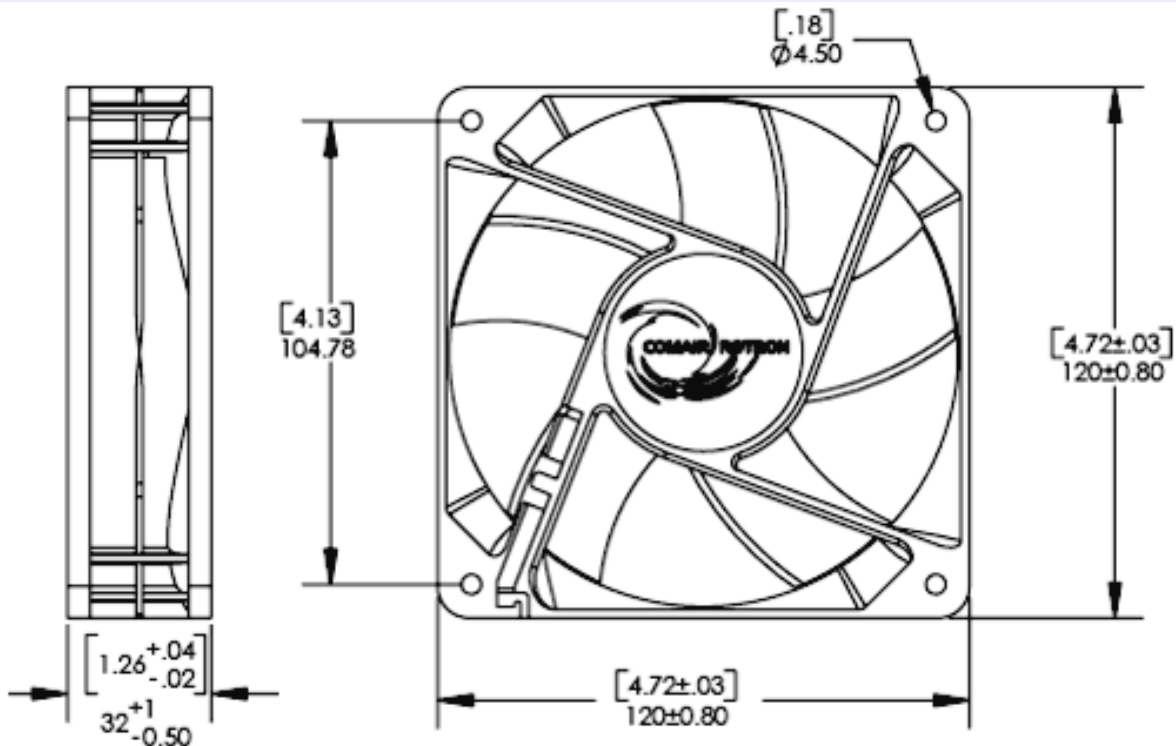
Operating Voltage:	24 Volts
Voltage Range:	12 - 28 Volts
Power Supply:	6.7 Watts
Line Current:	0.28 Amps
Locked Rotor Current	0.86 Amps
Nominal Speed:	3700 RPM

Mechanical Specifications

Dimensions:	4.7 x 4.7 x 1.3 in
Weight	8.47 oz
Max Airflow @ 0 in H ₂ O	102.0 CFM
Max Pressure @ 0 CFM	0.350 in H ₂ O
Noise	47.8 dBA



Mechanical Drawing





Fan Performance Curve

Fan Configuration Options

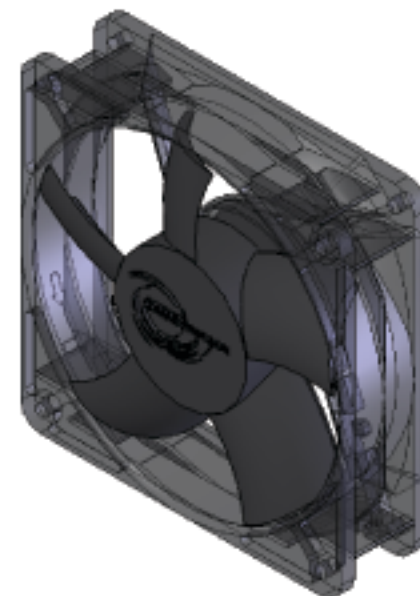
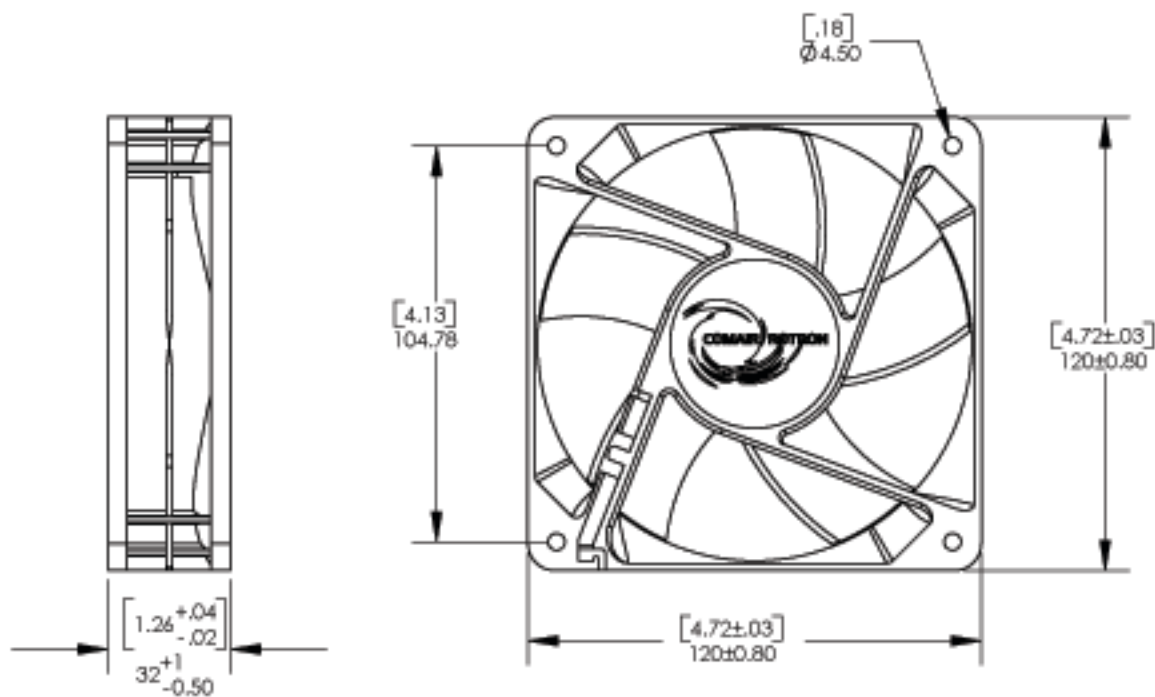
Muffin (Family)	MC24A3 (Model)	/ 032208 (Part #)	No (In Stock)	305 mm [12 inch] Leads (Features)
---------------------------	--------------------------	-----------------------------	-------------------------	---

Fan Speed:	3700 RPM	Fan Bearings:	Sleeve Bearings
Fan Airflow Direction:	Flow R (CCW Rotation)	Fan Termination:	Leads

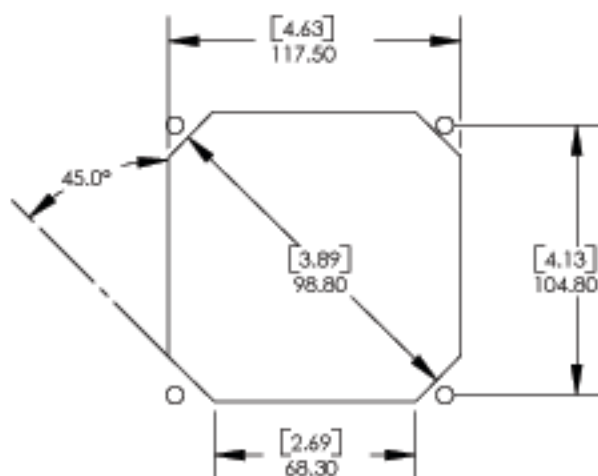
Fan Monitoring Options:	No Fan Monitoring Options Selected
--------------------------------	---

Fan Speed Control Option:	No ThermaPro-V Fan Speed Control Options Selected
----------------------------------	--

Environmental Protection Options:	No Enviroshield Options Selected
--	---



RECOMMENDED CUTOUT STRUT SIDE



CONTACT INFO:
WWW.COMAIRROTRON.COM

TOLERANCE UNLESS
OTHERWISE SPECIFIED
2 PL. DEC. + 00 | 8
3 PL. DEC. + 00 | 28
ANGULAR ± 30'



3D MODEL FOUND AT..

MUFFIN DC