

# UTC-515x

## 15.6" Ubiquitous Touch Computer UTC-515A with AMD® G- Series T40E UTC-515B with Intel Atom Dual Core D2550 UTC-515C with Intel Core™ i3

**NEW**



### Features

- Low Power & Fanless design
- Built-in AMD® G- Series T40E (UTC-515A)
- Built-in Intel Atom Dual Core D2550 (UTC-515B)
- Built-in Intel Core™ i3 (UTC-515C)
- Providing Natural Viewing Experience with 16:9 15.6" Display
- Front panel complies with IP65 protection standard
- All in one aluminum extrusion design
- Landscape & Portrait screen mode support by different applications
- VESA 100 mm standard mounting holes for varied mounting demands
- Attachable design for panel & peripherals to extend function and applications



### Introduction

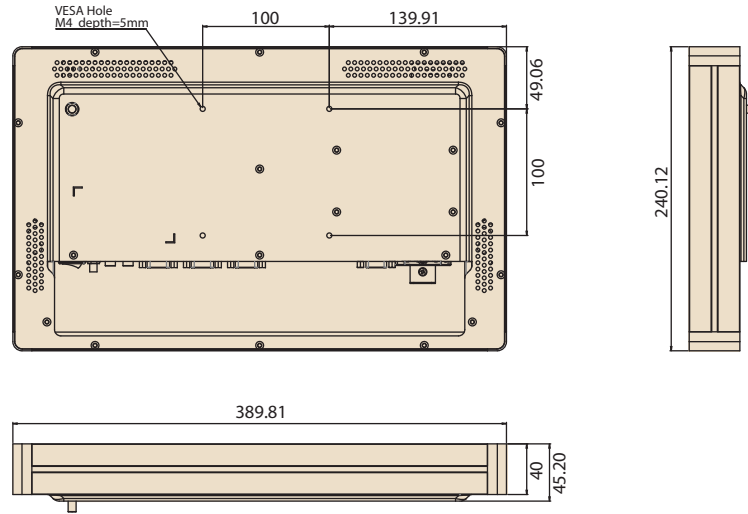
UTC-515x features an all-in-one computing system equipped with wide format, touch based LCD panel. It is easy to integrate key peripherals and display systems for diversified self-service and interactive signage deploy in different application areas. The systems deliver updated information with well-designed interactive interfaces, fully ensure relevant content and targeted promotions are delivered. UTC series touch panel computers are the best investments to enhance user satisfaction, further brand equity, and maximize business profits.

### Specifications

Processor System	CPU	AMD® G- Series T40E Dual-core 1.0 GHZ (UTC-515A)	Intel Atom Dual Core D2550 1.8 GHz (UTC-515B)	Intel Core™ i3 3217UE 1.6 GHz (UTC-515C)
	Chipset	T40E + A50M	Intel Atom D2550 + Intel NM10	Intel QM77
	L2 Cache	512 KB	1 MB	1 MB (L3, 3 MB)
	Memory	1 x SO-DIMM DDR3 1066 MHz up to 4 GB	1 x SO-DIMM DDR3 1066 MHz up to 4 GB	1x SO-DIMM DDR3 1600 MHz up to 8 GB
	SSD	Support 1 x CFast	Support 1 x CFast	
	HDD	1 x 2.5 internal SATA HDD bay		
	Network (LAN)	2 x Gigabit Ethernet ports (Supports Wake on LAN)		
	I/O Ports	3 x RS-232 COM (RS-422/485)* 4 x USB 2.0 2 x Gigabit Ethernet (RJ-45) 1 x VGA & HDMI Audio Line-out x 1, Mic-in x 1	3 x RS-232 COM (RS-422/485)* 4 x USB 2.0 2 x Gigabit Ethernet (RJ-45) 1 x VGA & HDMI Audio Line-out x 1, Mic-in x 1	2 x RS-232 COM (RS-422/485)* 2 x USB 2.0, 2 x USB 3.0 2 x Gigabit Ethernet (RJ-45) 1 x VGA & HDMI Audio Line-out x 1, Mic-in x 1
	Stereo Speaker	1 W x 2		
	Bus expansion	Full-size MiniPCIe/mSATA		
	Mounting	VESA 75 x 75 mm		
	Dimensions (W x H x D)	389.81 x 240.12 x 45.20 (mm)		
	Weight	4.85 kg (10.67 lb)		
OS Support		Windows XP/ XPE/ Embedded 7 Embedded Windows 8 Embedded Linux 3.0	Windows Embedded 7 Embedded Linux 3.0	Windows XP/ XPE/ Embedded 7 Embedded Windows 8 Embedded Linux 3.0
	Environmental Specifications	Operating Temperature 0 ~ 40° C (32 ~ 104° F) Relative Humidity 10 ~ 95% @ 40° C non-condensing Vibration 0.5G Shock 10 G peak acceleration (11 msec. duration) EMC/ Safety CE, FCC, UL, CCC CB,BSMI Front Panel Protection IP65/ NEMA4 Compliant		
Power Supply	Input Rating	12 V/5 A (60 W ITE Adapter)		12 V/5 A (60 W ITE Adapter)
	Power consumption	Typical 32W Max. 40W		Typical 40W Max. 50W
LCD Display	Size/Type	15.6" TFT LCD		
	Max. Resolution	1366 x 768		
	Max. Color	262 K		
	Pixel Pitch (um)	248.25 (H) x 248.25 (V)		
	Brightness (cd/m²)	300		
Touch Screen	View Angle	170°/160°		
	Type	Projected Capacitive Touch Panel (Pcap. Flat Glass)	Analog Resistive 5-wires (Res. Flat Glass)	Glass Panel (No touch function)
	Light Transmission	90% ± 2%	80% ± 5%	90%
	Controller	USB Interface	USB Interface	-

## Dimensions

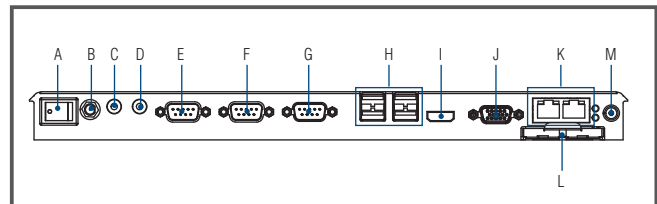
Unit: mm (inch)



## Ordering Information

Part No.	Description
UTC-515A-RE	15.6" AMD T40E Based fanless UTC with Resi.T/S. 2 GB RAM
UTC-515A-PE	15.6" AMD T40E Based fanless UTC with PCT.T/S. 2 GB RAM
UTC-515A-GE	15.6" AMD T40E Based fanless UTC with Glass. 2 GB RAM
UTC-515B-RE	15.6" ATOM D2550 Based fanless UTC with Resi.T/S. 2 GB RAM
UTC-515B-PE	15.6" ATOM D2550 Based fanless UTC with PCT.T/S. 2 GB RAM
UTC-515B-GE	15.6" ATOM D2550 Based fanless UTC with Glass. 2 GB RAM
UTC-515C-RE	15.6" Intel Core i3 Based fanless UTC with Resi.T/S. 4 GB RAM
UTC-515C-PE	15.6" Intel Core i3 Based fanless UTC with PCT.T/S. 4 GB RAM
UTC-515C-GE	15.6" Intel Core i3 Based fanless UTC with Glass 4 GB RAM
1702002605	Power cord 2P FRANCE 10A/16A 220V 1.83M 90D
1702002600	Power Cord 3P UL/CSA(USA) 125V 10A 1.83M 180D
1700000596	Power Cord (China) CCC, 10A 250V, 3P 1830mm

## Fully- Integrated I/O



- A. Power switch
- B. Antenna Port
- C. Line-out
- D. Mic-in
- E. COM3 (UTC-515A/B only)
- F. COM2
- G. COM1
- H. USB 2.0 x 4  
(USB 2.0 x 2, USB 3.0 x 2 for UTC-515C)
- I. HDMI
- J. VGA
- K. LAN Ports x 2
- L. CFAST (UTC-515A/B only)
- M. DC Input

Side groove design for Flexible peripheral device



## Peripherals for UTC-500 series

Part No.	Description
UTC-P01-A0E	2M Camera Module For UTC-5XX (USB connection)
UTC-P02-A0E	Magnet Strip Reader For UTC-5XX (USB connection)
UTC-P03-A0E	RFID Reader For UTC-5XX (USB connection)
UTC-P06-A0E	Smart Card Reader For UTC-5XX (USB connection)
UTC-P07-A0E	2D Barcode Reader For UTC-5XX (USB Connection)
UTC-P21-A0E	4 in 1 Modules Barcode reader + RFID + Card reader + MSR

## Installation Accessory

Part No.	Description
UTC-520-STAND1E	Desktop Stand for UTC-520
UTC-WALL-MOUNT1E	Wall Mount kit for UTC-520/515
UTC-R01-STANDE	Triangle Feet Stand
UTC-K01-STANDE	Cross Feet Stand
UTC-K02-STANDE	H-shaped Feet Stand