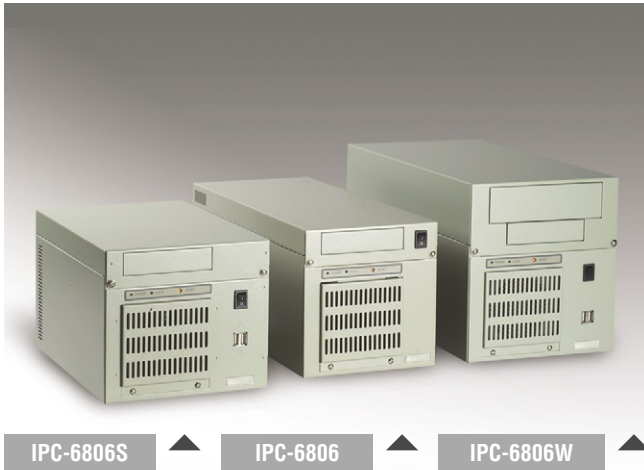


IPC-6806

6-slot Desktop/Wallmount Chassis with 1U power supply



IPC-6806S

IPC-6806

IPC-6806W

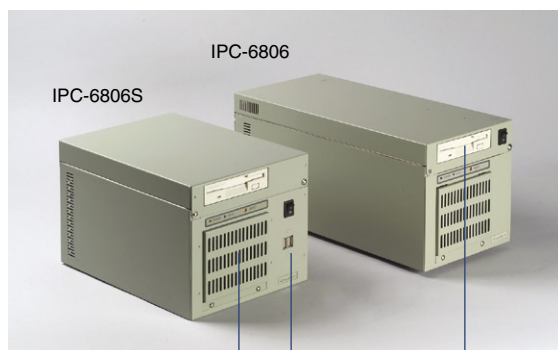


Features

- Three models with different dimensions/sizes to support various industrial applications
- Supports 6-slot backplane
- Supports front USB interface (IPC-6806S and IPC-6806W)
- IPC-6806W is especially equipped with a front-mounted 5.25" drive bay for a CD-ROM
- Streamlined filtered airflow
- Versatile 6-slot backplane options

Specifications

Cooling	Fan	One (58 CFM for IPC-6806W; 53 CFM for IPC-6806 and IPC-6806S)	
	Air Filter	Yes	
I/O interface	USB	IPC-6806W and IPC-6806S only	
Miscellaneous	Control	Power On/Off switch and system reset switch	
	Indicators	Power On/Off and HDD activity	
Environment		Operating	Non-Operating
	Temperature	0 ~ 40° C (32 ~ 104° F)	-20 ~ 60° C (-4 ~ 140° F)
	Humidity	10 ~ 85 % @ 40° C, non-condensing	10 ~ 95 % @ 40° C, non-condensing
	Vibration (5 ~ 500 Hz)	0.5 Grms	2 G
	Shock	10 G (with 11 ms duration, half sine wave)	30 G
	Acoustic Noise	Less than 52 dB at 5 ~ 28° C (41 ~ 82° F)	
Altitude	0 to 3,048 m (0 ~ 10,000 ft)		



IPC-6806

IPC-6806S

One 53 CFM cooling fan with filter

USB

3.5" FDD



IPC-6806W

Hold down clamp

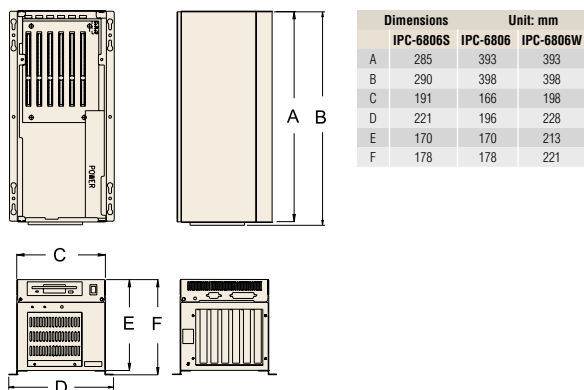
1U 300 W ATX power supply

One internal 3.5" HDD

USB

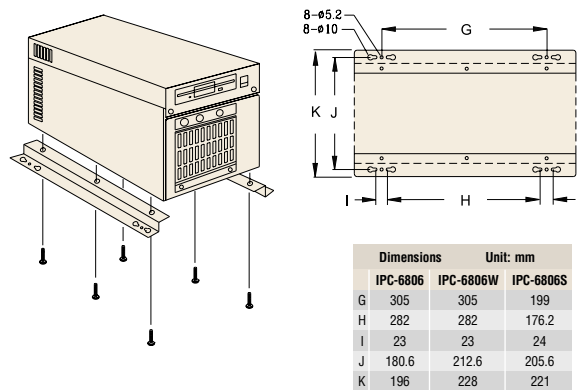
5.25" CD-ROM & FDD

Dimension Diagram



Unit: mm (inch)

Installation



Unit: mm (inch)

Selection Guide

Part Number	IPC-6806SB-15ZBE	IPC-6806BP-20ZBE	IPC-6806WB-30ZBE
Drive Bay	3.5" FDD x 1, 3.5" HDD x 1	3.5" FDD x 1, 3.5" HDD x 1	5.25" CD-ROM x 1, 3.5" FDD x 1, 3.5" HDD x 1
Power Supply	150 W PFC	200 W PFC	300 W PFC
Backplane	PCA-6106-0B2E, PCA-6105P5-0B2E (for half-sized cards only)	PCA-6106-0B2E, PCA-6106P3-0D2E, PCA-6105P5-0B2E	PCA-6106-0B2E, PCA-6106P3-0D2E, PCA-6106P4-0A2E, PCA-6105P5-0B2E
Dimensions (W x H x D)	191 x 170 x 285 mm (7.5" x 6.7" x 11.2")	166 x 170 x 393 mm (6.5" x 6.7" x 15.4")	198 x 213 x 393 mm (7.8" x 8.4" x 15.4")
Weight	6 kg (13.2 lb)	7.2 kg (15.9 lb)	8 kg (17.6 lb)

Power supply Options

Part Number	Specifications					
	Watt	Input	Output	Mini-load	Safety	MTBF
1757000209G (IPC-6806S)	150 W ATX	AC 100 ~ 240 V (full-range)	+5 V @ 14 A, +3.3 V @ 10 A +12 V @ 6 A, -12 V @ 0.8 A -5 V @ 0.5 A, +5 Vsb @ 1.5 A	+5 V @ 2 A, +12 V @ 1 A -5 V @ 0.1 A, -12 V @ 0.1 A +3.3 V @ 1 A, +5 V @ 0.1 A	UL/TUV/CB/CCC	84,000 hours @ 25° C
OP-20PZE (IPC-6806)	200 W AT	AC 100 ~ 240 V (full-range)	+5 V @ 16 A, +12 V @ 9 A, -12 V @ 0.7 A, -5 V @ 0.2 A	+5 V @ 2 A, +12 V @ 1 A -5 V @ 0.1 A, -12 V @ 0.1 A	UL/TUV/CB/CCC	84,000 hours @ 25° C
1757000160G (IPC-6806W)	300 W ATX	AC 100 ~ 240 V (full-range)	+5 V @ 25 A, +3.3 V @ 14 A +12 V @ 16 A, -12 V @ 1 A -5 V @ 0.5 A, +5 Vsb @ 2 A	+5 V @ 3 A, +12 V @ 2 A -5 V @ 0.05 A, -12 V @ 0.05 A +3.3 V @ 1 A, +5 Vsb @ 0.1 A	UL/TUV/CB/CCC	100,000 hours @ 25° C

Passive Backplane Options

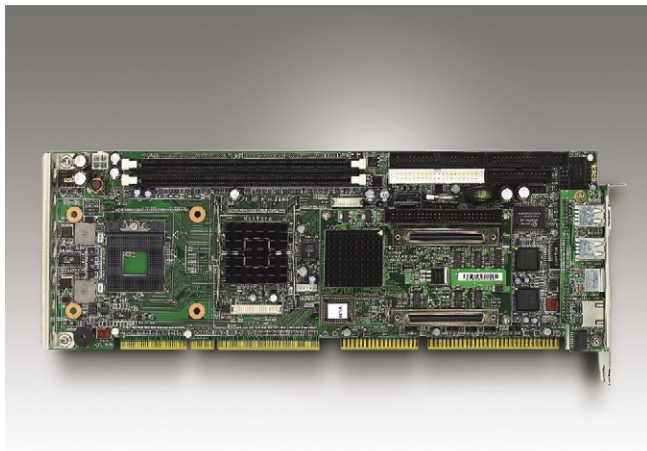
Part Number	Slots	Segment
PCA-6106-0B2E	6 ISA	Single
PCA-6106P3-0D2E	2 ISA, 2 PCI, 1 PICMG, 1PICMG/PCI	Single
PCA-6106P4-0A2E	4 PCI, 2 PICMG	Single
PCA-6105P5-0B2E	4 PCI, 1 CPU-PCI	Single

Ordering Information

Part Number	Power Supply	Backplane	Regulation	Switch
IPC-6806SB-15ZBE	1757000209G	-	CE	AT
IPC-6806BP-20ZBE	OP-20PZE	-	CE	AT
IPC-6806-20ZBE	OP-20PZE	PCA-6106-0B2E	CE	AT
IPC-6806P3-20ZBE	OP-20PZE	PCA-6106P3-0D2E	CE	AT
IPC-6806WB-30ZBE	1757000160G	-	CE	AT
IPC-6806WP-30ZBE	1757000160G	PCA-6106P3-0D2E	CE	AT

PCA-6189

Socket 479 Pentium® M/Celeron® M Processor Card with 64-bit PCI-X/VGA/ Dual GbE LAN



Features

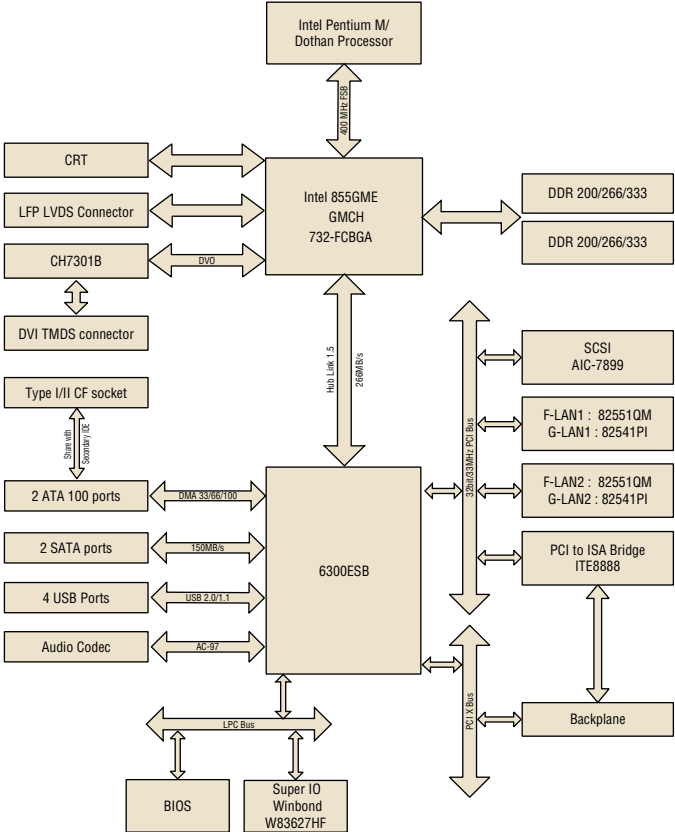
- Intel® 855GME chipset 400 MHz FSB
- Supports two DIMMs DDR 200/266/333 SDRAM
- Supports up to two devices with software Serial ATA RAID 0,1
- Onboard Adaptec AIC-7899 dual channel Ultra 160 SCSI up to 160 MB/s
- Onboard integrated VGA controller, supports dual display
- LVDS and DVI panel support
- 64-bit/66 MHz PCI-X
- Supports 10/100/1000Base-T Ethernet
- Optional fanless solution with onboard ultra low voltage Celeron® M processor at 1.0 GHz



Specifications

Processor System	CPU	Intel Pentium® M	Intel Celeron M
	Max. Speed	2.1 GHz and above (400 FSB)	1.5 GHz and above (400 FSB)
	L2 Cache	1 MB/2 MB	512 KB/1 MB
	Chipset	Intel 855GME + 6300ESB	
	BIOS	Award 4 Mbit FWH	
	Front Side Bus	400 MHz	
Bus	PCI	64-bit/33/66 MHz PCI, 66 MHz PCI-X	
	ISA	HISA (ISA high drive), no DMA support	
Memory	Technology	One channel DDR 200/266/333 MHz with ECC support	
	Max. Capacity	2 GB	
	Socket	184-pin DIMM x 2	
Graphic	Controller	Chipset integrated VGA controller	
	VRAM	Dynamically shared system memory, 8 ~ 64 MB	
	Video Output	1 VGA port, 2048 x 1536, up to 75 Hz 1 LVDS connector, dual channel from 25 MHz to 112 MHz 1 DVI connector, 2048 x 1536 at 75 Hz	
Ethernet	Interface	10/100Base-T; 10/100/1000Base-T (optional)	
	Controller	LAN 1: Intel 82551QM (FE); Intel 82541PI (GbE) LAN 2: Intel 82541PI (GbE)	
	Connector	RJ-45 x 2	
SATA	Max. Data Transfer Rate	150 MB/s	
	Channel	2	
EIDE	Mode	ATA 100/66/33	
	Channel	2 (Max. 4 devices)	
I/O Interface	USB	Max. 4 (USB 2.0 compliant)	
	Serial	2 (RS-232)	
	Parallel	1 (SPP/EPP/ECP)	
	FDD	1	
	PS/2	1	
Watchdog Timer	Output	Interrupt, system reset	
	Interval	Programmable, 1 ~ 255 sec.	
Miscellaneous	Audio Output	AC-97 audio interface (requires an audio extension module P/N: PCA-AUDIO-00A1)	
	Solid State Disk	Compact Flash socket (Type I / II), shared with secondary IDE	
Power Requirement	Typical	Intel Pentium M 1.8 GHz with 400 MHz FSB, 512 MB DDR 333 SDRAM	
		+5 V -5 V +12 V -12 V	
		3.29A 0.01 A 1.45A 0.01 A	
Environment		Operating	Non-Operating
	Temperature	0 ~ 60 °C (32 ~ 140 °F), depends on CPU's speed	-20 ~ 70 °C (-40 ~ 158 °F)
Physical Characteristics	Dimensions (W X D)	338 x 122 mm (13.3" x 4.8")	

Block Diagram



Ordering Information

Part Number	Processor	Fast Ethernet LAN	Gigabit LAN	SCSI
PCA-6189VE-00A2E	-	Single	-	-
PCA-6189VG-00A2E	-	-	Single	-
PCA-6189G2-00A2E	-	-	Dual	-

Packing List

Part Number	Description	Quantity
1700340640	FDD cable	X 1
1701400452	IDE HDD cable	X 2
1700071000	Serial ATA HDD data cable	X 2
1703150102	Serial ATA HDD power cable	X 2
170304015K	ATX 12 V power converter cable	X 1
1701260305	Printer + COM cable	X 1
1700060202	Y cable for PS/2 mouse & keyboard	X 1
1700000821	DVI cable	X 1
1700002204	USB cable with 2 ports	X 1
1960001631	Low profile CPU cooler	X 1
9689000068	Jumper pack	X 1
-	Startup manual	X 1
-	Utility CD	X 1

Bracket View



PCA-6189VE-00A2E
PCA-6189VG-00A2E



PCA-6189G2-00A2E

Accessories

Part Number	Description
PCA-AUDIO-00A1E	Audio extension module