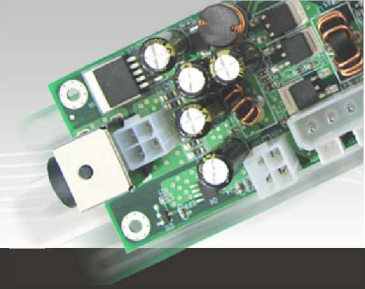


DC To DC Power Units

DD-12AX V300

12V to ATX 120W DC/DC Converter Module

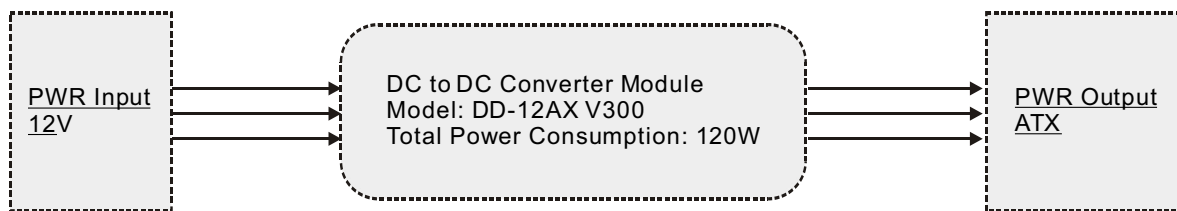


Features

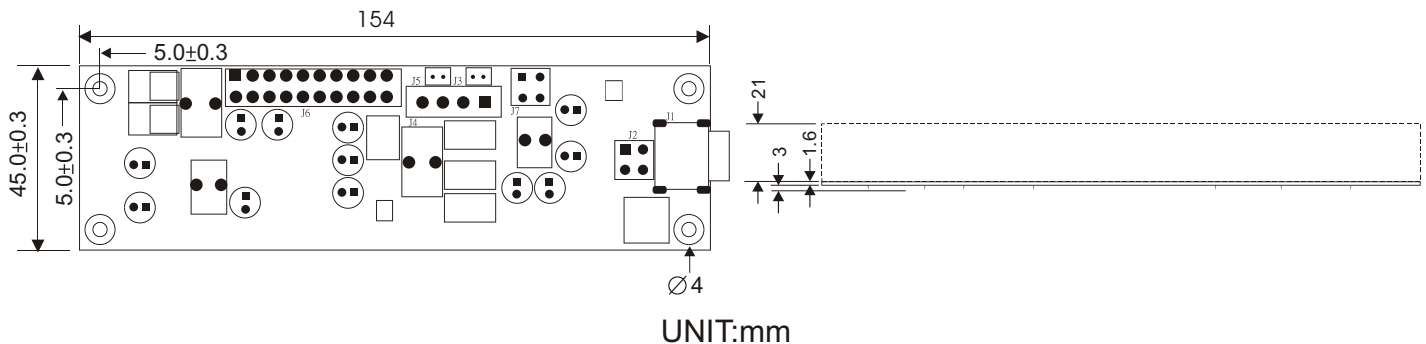
- High efficiency DC-DC Power Supply
- Output over-current protection
- DC soft start function, low inrush current
- Short circuit protection
- RoHS Compliant
- No minimum load required

GENERAL

Applicable to general Panel PC for 12V to ATX mainboard that acceptable ATX power.



MECHANICAL



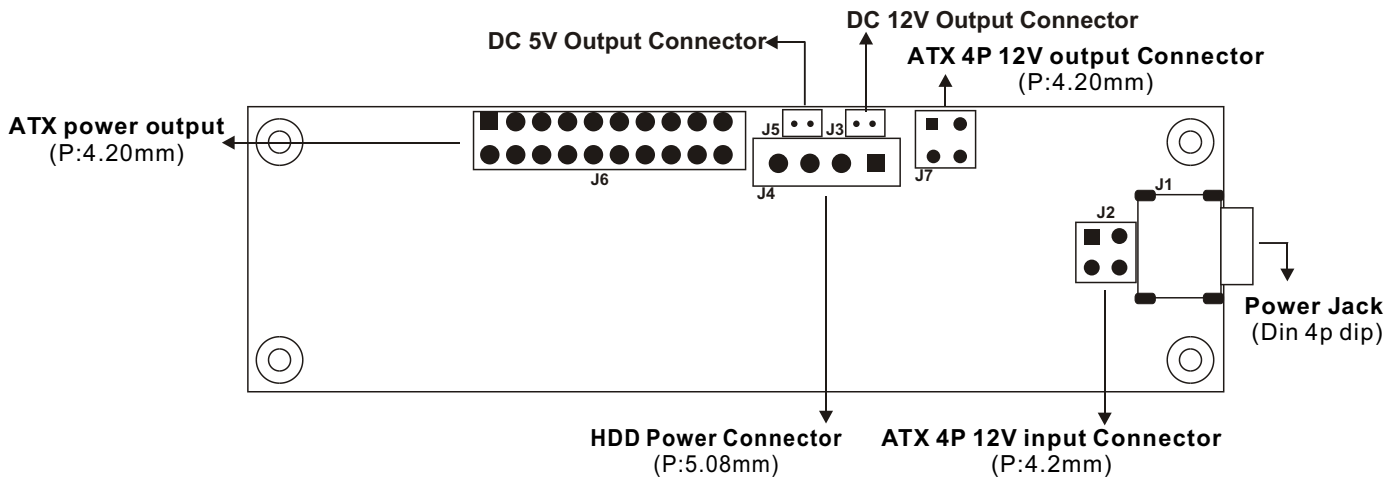
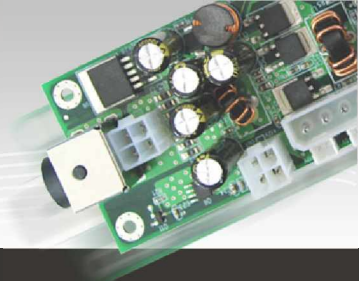
Specifications

Input Voltage	:	12V DC
Load Range	:	5V: 6A 12V: 5A -12V: 0.5A 3.3V: 5A 5Vsb: 1A
Ripple And Noise	:	5V: Less than 100mV 3.3V: Less than 100mV 5Vsb: 120mV 12V: 120mV -12V: 200mV
Line Regulation	:	Less than $\pm 2.5\%$ at rated load with $\pm 10\%$ change in input voltage
Load Regulation	:	5V: Less than $\pm 2\%$ +12V: Less than $\pm 5\%$ -12V $\pm 5\%$ + 3.3V Less than $\pm 5\%$
Efficiency	:	88%
Altitude	:	0 to 10000ft
Operating Temp	:	0~50°C
Storage Temp.	:	-20~70°C
Humidity	:	10~90% non-condensing
Dimension	:	154x45x25.6(mm)

DC To DC Power Units

DD-12AX V300

12V to ATX 120W DC/DC Converter Module



Pin Assignment:

J1: Power Jack

Connector Type : Din 4p dip Power Jack QuickLock

Pin	Symbol
1	DC 12V Input
2	GND
3	DC 12V Input
4	GND

J2: ATX 12V input Connector

Connector Type : Molex 39-28-1043 4.20mm Pitch Mini-Fit Jr.™ Header ,Dual Row, Vertical

Pin	Symbol
1	GND
2	GND
3	DC 12V Input
4	DC 12V Input

J3: DC 12V Output Connector

Connector Type : JST-B2B-PH-K-S or equivalent.

Pin	Symbol
1	DC 12V Output
2	GND

J4: HDD Power Connector

Connector Type : Molex 015-24-4557 5.08mm Pitch Disk Drive Power Connection System Header, Vertical, Through Hole, 4 Circuits

Pin	Symbol
1	DC 12V Output
2	GND
3	GND
4	DC 5V Output

J5: DC 5V Output Connector

Connector Type : JST-B2B-PH-K-S or equivalent.

Pin	Symbol
1	DC 5V Output
2	GND

J6: ATX power output

Connector Type : Molex 39-28-1203 4.20mm (.165") Pitch Mini-Fit Jr.™ Header ,Dual Row, Vertical, or equivalent

Pin	Symbol
1	+3.3V
2	+3.3V
3	GND
4	+5V
5	GND
6	+5V
7	GND
8	Power Good
9	5V SB(stand by +5V)
10	+12V
11	+3.3V
12	- 12V
13	GND
14	PS_ON(soft on/off)
15	GND
16	GND
17	GND
18	- 5V
19	+5V
20	+5V

J7: ATX 12V output Connector

Connector Type : Molex 39-28-1043 4.20mm (.165") Pitch Mini-Fit Jr.™ Header ,Dual Row, Vertical, or equivalent

Pin	Symbol
1	12V
2	GND
3	GND
4	GND
5	12V
6	12V