



## Main Features

- Intel® 2<sup>nd</sup> Generation Core™ Mobile Processors
- Intel® QM67/HM65 PCH
- 1 x DDR3 SO-DIMM Socket
- Type 2 COM Express Module Support 6 Express Lanes, 32 bit PCI Interface, One IDE and Gigabit LAN

## Product Overview

The ICES 267 is a COM Express Type 2 basic module featuring Intel® QM67/HM65 Platform Control Hub, which supports Intel® 2<sup>nd</sup> generation Core™ Mobile processors and one DDR3 SO-DIMM memory socket up to 4GB. The ICES 267 is integrated with Intel® HD graphics or expands via PCI Express Graphic 1x 16 lane to carrier board; it also supports other display types include LFP or Dual channel LVDS. The high performance ICES 267 COM Express Module supports 4x SATA, 8x USB 2.0 and 6 PCIe x 1 lanes through the carrier board; and it is compatible with ICEB 8050 carrier board.

## Specifications

### CPU Support

- Support 2<sup>nd</sup> generation Intel® Core™ Mobile processors, socket FCPGA 998

### Main Memory

- One DDR3 1066/1333 MHz SO-DIMM, up to 8GB

### Platform Control Hub

- QM67/ HM65

### BIOS

- AMI System BIOS
- Plug and play support

### Display

- Intel® HD graphics solution
- One PCI Express X 16 Lane down to the carried board
- Drive a standard progressive scan analog monitor with resolution up to 2048 x 1536 @ 60Hz
- Supports LVDS 18/24-bit & single/dual channel interface

### Audio

- HD audio interface

### On-board LAN

- Intel® 82579LM Gigabit Ethernet, support iAMT 7.0 (supported with QM67 only)

- Support boot from LAN, wake on LAN function
- Signals down to I/O board

### COM Express Connector

- AB  
VGA/ LVDS/ 8 x USB 2.0/ HD Audio/ 3 x SATA/ LAN/ GPIO/ LPC bus  
One PCIe X4/ two PCIe X1/ SMBus (I2C)/ SPI BIOS
- CD  
PCIe x 16/ IDE/ PCI

### Power Requirements

- +12V, +5VSB, +3.3V RTC power

### Dimensions

- 95mm (W) x 125mm (L)

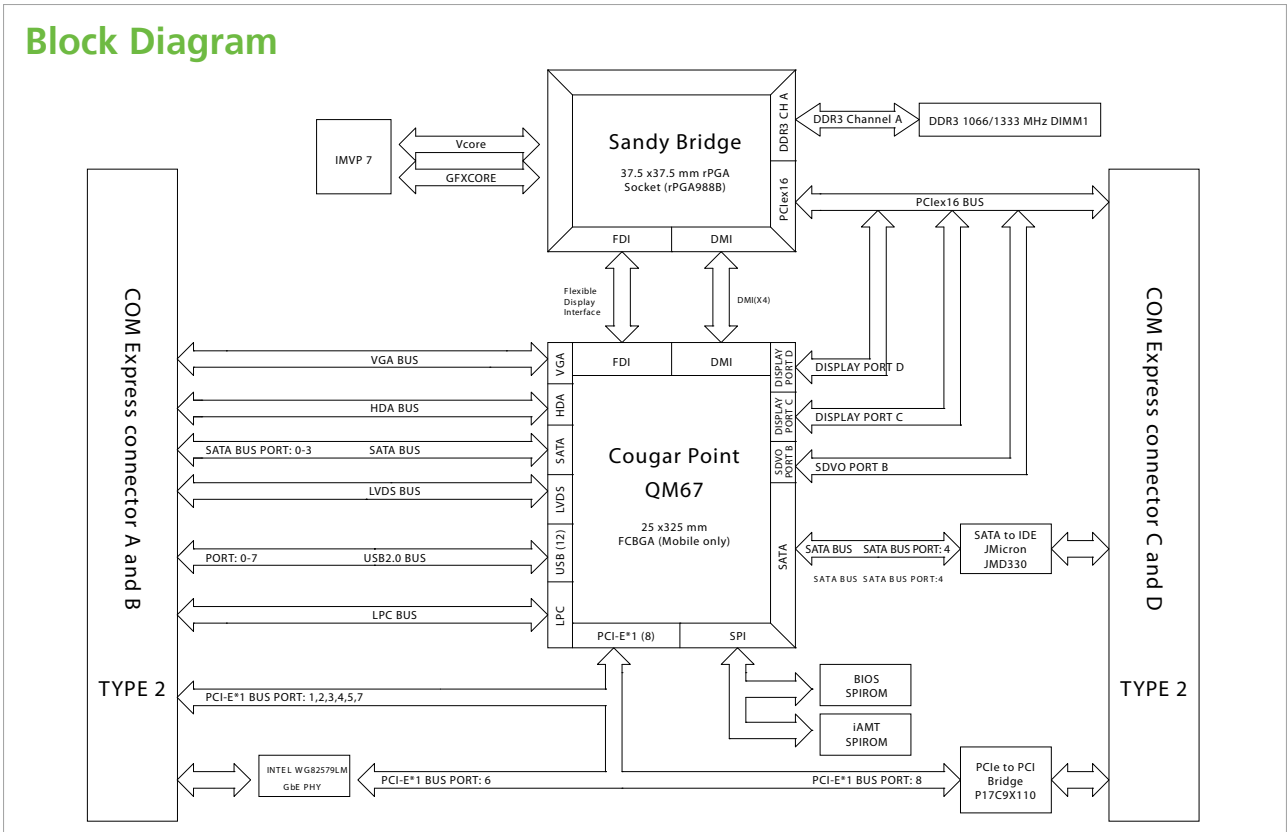
### Environment

- Board Level Operating temperatures: 0°C to 60°C
- Storage temperatures: -20°C to 80°C
- Relative humidity:  
10% to 90% (operating, non-condensing)  
5% to 95% (non-operating, non-condensing)

### Certifications

- CE approval
- FCC Class A

## Block Diagram



## Ordering Information

- ICES 267 (P/N:10K00026700X0)**  
 COM Express Type 2 basic module support Intel® Socket FCPGA 998, 2<sup>nd</sup> generation Core™ mobile processor family, DDR3/ PCEex16/ PCI/ IDE/ GbE/ LVDS/ audio interface
- ICEB 8050 (P/N: 10KB0805000X0)**  
 COM Express Type 2 evaluation board with PCIe/ PCI/ SATA/ CF/ IDE/ COM/ USB/ LVDS/ VGA/ LAN