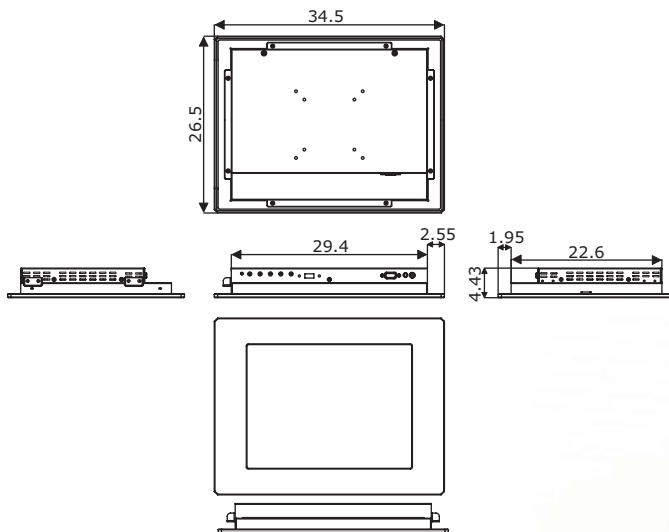


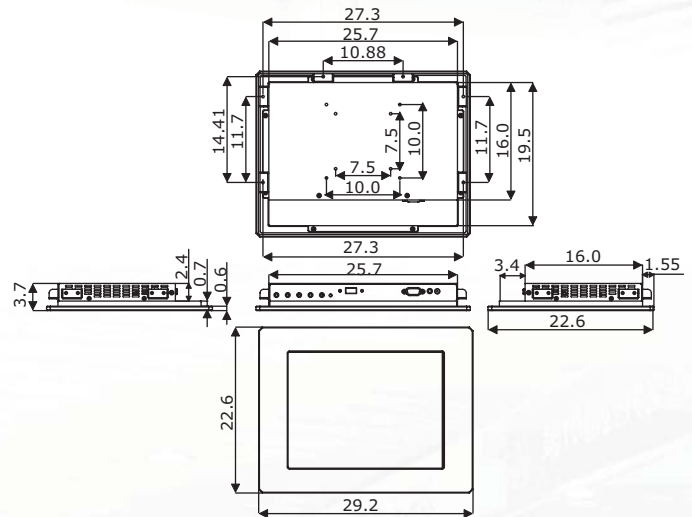
# BPD-9012

12.1" Panel Display Module with 12V DC Adapter



# BPD-9110

10.4" Panel Display Module with 12V DC Adapter



## Features

- 12.1" TFT color panel display
- Provides VGA input interface, OSD key, 12V DC in 60W adapter
- Max Resolution: 800(H) x 600(V) pixels RGB strip arrangement
- Brightness: 400 cd/m<sup>2</sup>(Typ.)
- LCD Color: LVDS 6-bit, 262,144 colors
- Pixel Pitch: 0.3075 x 0.3075 mm
- Dimensions: 34.5(L) x 4.43(W) x 26.5(H) cm
- Cut Out Size (LxH): 29.8 x 23 cm

## Features

- 10.4" TFT color panel display
- Provides VGA input interface, OSD key, 12V DC in 60W adapter
- Max Resolution: 800(H) x 600(V) pixels RGB stripes arrangement
- Brightness: 250 cd/m<sup>2</sup>(Typ.)
- LCD Color: 6-bit, 262,144 colors
- Pixel Pitch: 0.264 x 0.264 mm
- Panel Power Consumption: Total 4Watt
- Dimensions: 29.2(L) x 3.7(W) x 22.6(H) cm
- Cut Out Size (LxH): 26.1 x 19.9 cm

Panel PC

Bare Bone

SBC

Chassis

Power Supply

Backplane