



Features

- ◆ Box PC design
- ◆ Built-in HS-2605/VIA Eden 667MHz CPU
- ◆ Provides Wireless LAN module (optional)
- ◆ 2.5" HDD space x 1
- ◆ Single +5V power in or optional 42W adapter
- ◆ BBS-2009-C provides CF, COM x 4, USB x 2, TV-Out

Specifications

System

SBC Model

HS-2605

CPU

VIA Eden 667MHz CPU

BIOS

AMI PnP Flash BIOS

System Chipset

VIA VT8606/VT82C686B

System Memory

1 x 144-pin SO-DIMM socket up to 512MB SDRAM

Display Chipset

VIA VT8606

Ethernet Chipset

RealTek RTL8100 10/100 Mbps LAN

Provides Wireless LAN module (optional)

Drive Bay

1 x 2.5" HDD space

Storage

1 x Type I CF socket

Watchdog Timer

Sets 1/2/10/20/110/220 seconds activity trigger with NMI or Reset

Mechanical & Environmental

Dimensions (LxHxW)

23.65 x 3.72 x 14.0 cm

Operation Temperature

0~+45 degrees C

Storage Temperature

-20~+70 degrees C

EMC

FCC/CE

Power Adapter

Single +5V by terminal block or optional 42W adapter

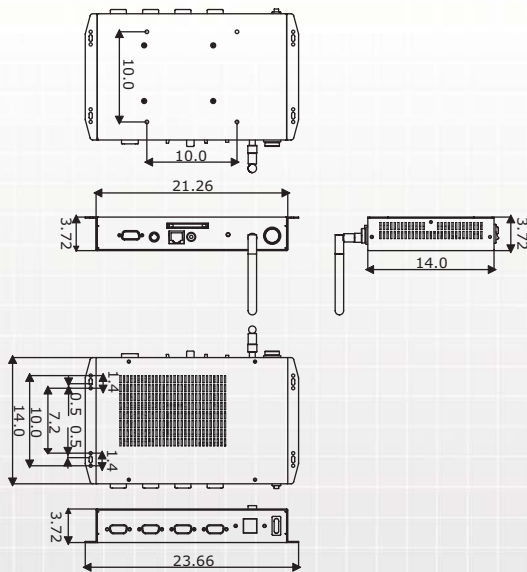
I/O Interface

External I/O

COM x 4, USB x 2, CF, TV-Out, LAN, PS/2 KB/MS, VGA

Rear I/O

Dimensions



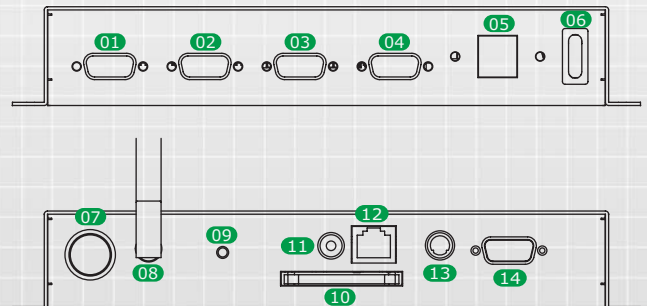
Ordering Guide

◆ BBS-2009-C (by order)

Box PC with HS-2605(w/667MHz CPU + Fan, CF)

Accessory Options

Memory Module, CF Module, Wireless LAN Module, 2.5" HDD, 42W Adapter



- | | | |
|-------------|------------------|------------|
| 01. COM 1 | 06. ON/OFF | 11. TV-Out |
| 02. COM 2 | 07. Power In | 12. LAN |
| 03. COM 3 | 08. WLAN ANT | 13. KB/MS |
| 04. COM 4 | 09. Reset Button | 14. VGA |
| 05. USB * 2 | 10. CF | |