

FPM-37

Industrial 13.8" LCD Flat Panel Monitor



Introduction

The FPM-37 series are 13.8" color TFT/CSTN LCD flat panel monitors for industrial applications. They are small and light, to fit anywhere and save space. The aluminum front panels comply with NEMA 4/12 (IP52/56) standards.

The FPM-37 series comes with a dedicated PCI-bus video display card. A shielded 1.8 m cable is provided for remote operation.

Specifications

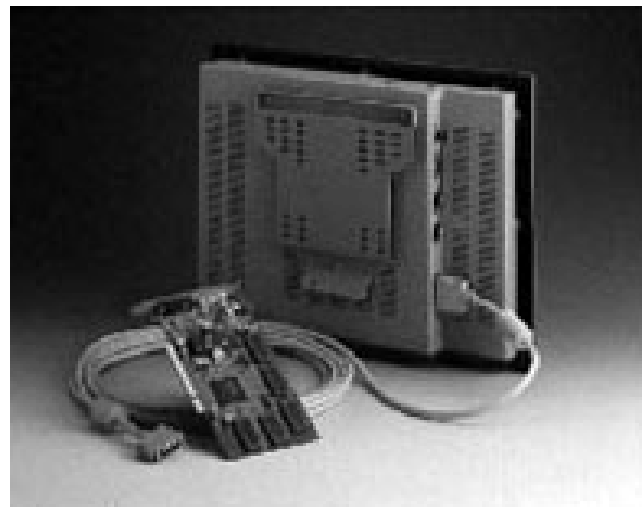
- **Front panel:** Aluminum, meets NEMA 4/12 (IP52/56)
- **Mounting:** Panel or wall mount
- **I/O port:** Keyboard connector (in and out), RS-232 port
- **Control:** One contrast adjustment knob on back panel (FPM-37S) or one brightness adjustment knob (FPM-37T)
- **Dimensions (W x H x D):** 402 x 302 x 54 mm (15.8" x 11.9" x 2.1")
- **Weight:** 4.2 kg (9.2 lb)

LCD Display Card (PCA-6654)

- **Type:** Half-size 32-bit PCI-bus
- **Video chip:** Chips 65550
- **DRAM:** On-board 2 MB, frame buffer 512 KB (optional)
- **Max. resolution:** 1024 x 768 for both flat panels and CRTs
- **Connectors:** One MDR26 connector for flat panel display
One DB-15 connector for CRT monitor
- **Simultaneous CRT/LCD display**
- **Power consumption:** +5 V @ 1 A, max.

Touchscreen (Optional)

- **Type:** Analog resistive, continuous resolution
- **Light transmission:** 75%
- **Controller:** RS-232 interface
- **Power consumption:** +5 V @ 200 mA
- **Durability:** 35 million touch lifetime
- **Software driver:** Supports DOS, Windows 3.1/95/NT and OS/2

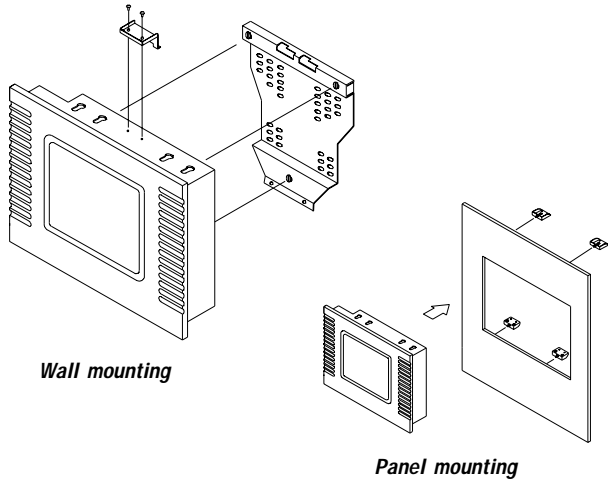


Flat Panel Display

Model	FPM-37T	FPM-37S
Display type	13.8" TFT color LCD	13.8" CSTN LCD
Max. resolution	1024 x 768	1024 x 768
Max. colors	256 K colors	4096 colors
Dot size (mm)	0.273 x 0.273	0.198 x 0.248
Luminance (cd/m ²)	200	200
Viewing angle	110°	60°
Temperature	0 ~ 50° C	0 ~ 45° C
VR controller	Brightness	Contrast
LCD MTBF	50,000 hours	50,000 hours
Backlight MTBF	25,000 hours	25,000 hours



Installation



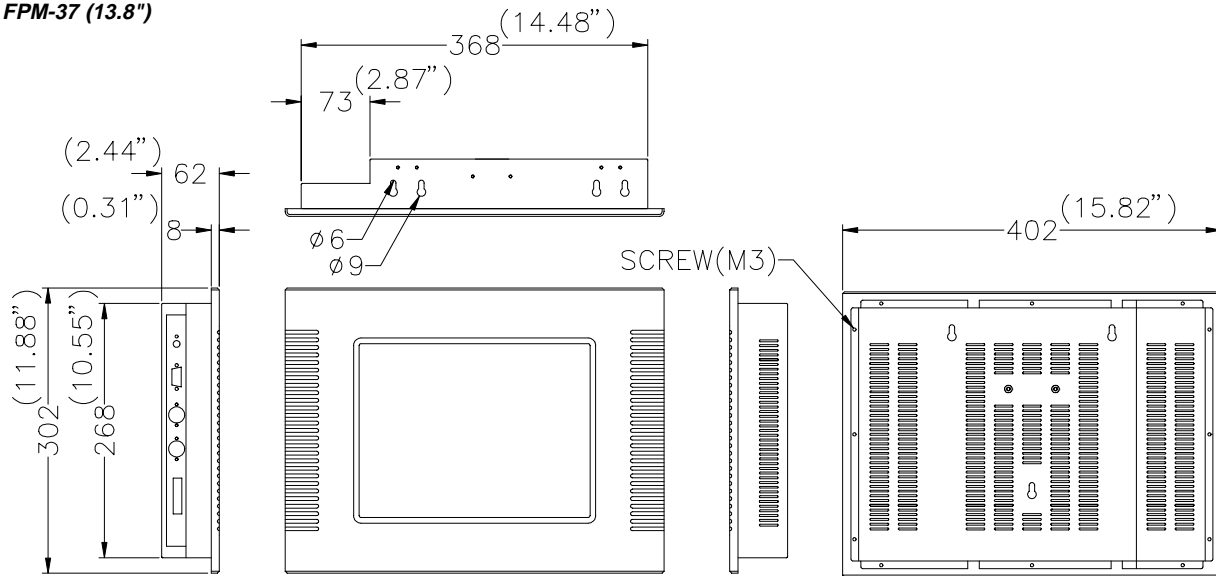
Ordering Information

- ❑ **FPM-37T**
13.8" TFT, PCI LCD display card and 1.8 m cable
- ❑ **FPM-37S**
13.8" CSTN, PCI LCD display card and 1.8 m cable
- ❑ **FPM-37T-T**
FPM-37T and touchscreen (RS-232 interface)
- ❑ **FPM-37S-T**
FPM-37S and touchscreen (RS-232 interface)

Dimensions

FPM-37 (13.8")

Unit: mm



Cutout dimensions: 373 mm x 273 mm