

FPM-3159

Industrial Flat Panel Monitor with 15" LCD display and "Touchsurround"



Features

- Programmable touchscreen function
- 20.1" resistive type touchscreen
- 15" TFT LCD display
- Direct VGA LCD signal transmission
- Front panel meets NEMA 4/ IP65 standard
- Aluminum-alloy front panel with stainless steel chassis

Introduction

Just like the Chameleon changes color according to its ambient environment, the Advantech FPM-3159 has the ability to change its touch pattern for different applications.

The FPM-3159 is an industrial flat panel monitor with 15" TFT LCD display and 20.1" touchscreen. Outside the rim of the LCD display, we provide utilities which easily allow users to program the touch button. The customized touch panel makes the system a perfect match for your control needs.

Replaceable Pattern Legend

FPM-3159 has an easy to use, pattern legend replacing feature. Between the FPM-3159's touch-screen and LCD display, there is a replaceable legend. This legend can be printed with different icons and buttons. Customers can

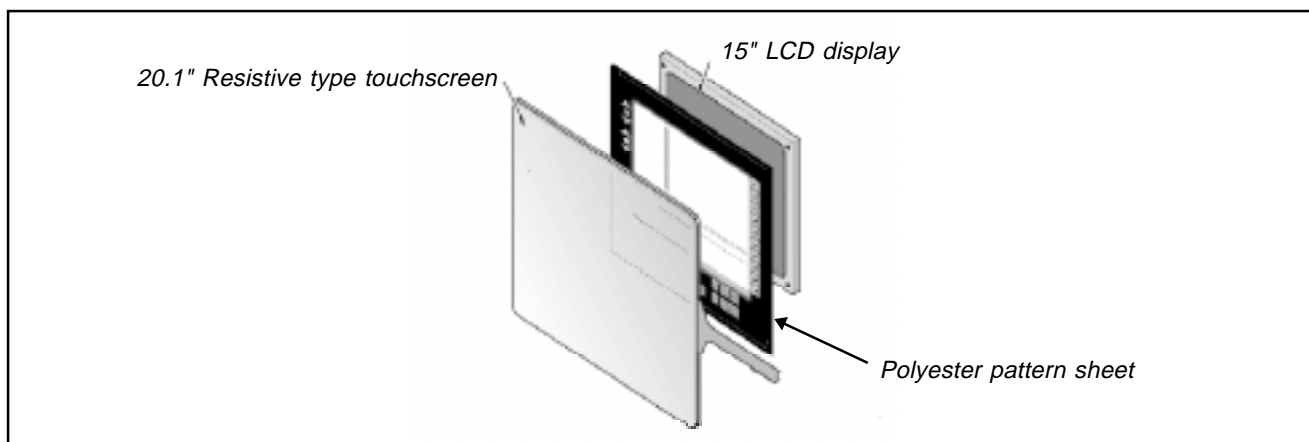
design and print the legend by themselves or through Advantech's customized legend service. This feature allows the system to perfectly match your control environment.

The legend can easily be replaced, simply detach the latch on the top, and pull out or insert directly.

Robust Structure

The FPM-3159 incorporates an anodized aluminum front panel and stainless steel chassis to form the main structure. Unlike the typical spray paint coating, the anodized panel will not be harmed by harsh environments.

Its stainless steel structure gives the system a corrosion resistant feature and is even sturdier than cast iron. It is designed to meet the tough industrial HMI demands.



Industrial Flat Panel Monitor with 15" LCD display and "Touchsurround"

Programmable Touchsurround Utility

We provide utility software which helps users configure the touchsurround function. Through 3 simple steps, the utility can define a certain area's function.

1. Point out the upper left and the lower right point of the area that you want to perform certain function.
2. Decide the function that the area will perform. It could be either a text string or a command.
3. Decide the button release action.



OSD Adjustment Function

The display supports from Mac, PC-9801, VGA- text, VGA, SVGA, to XGA resolution. With these different resolution choices, the monitor provides an OSD (On Screen Display) function to make the screen adjustment convenient and efficient.

Modularized Design Concepts

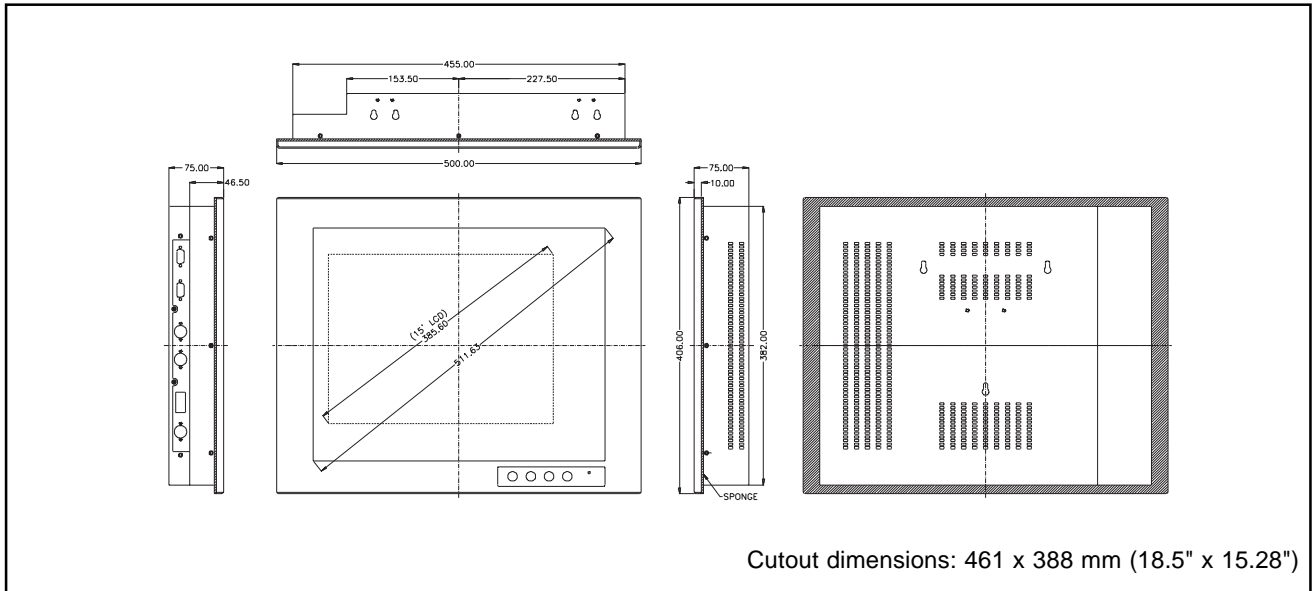
The FPM-3159 uses modular design throughout the whole system. The front panel can be detached from the main system completely. Instead of using latches, the system adopts reliable screws to fix the front part and the back structure. By detaching the screws on each side, the front part, which contains legend, touch-screen, and aluminum bezel can be separated from the back. It is easy to maintain yet has a solid structure.

Direct VGA Transmission

The LCD signal can be transmitted through your existing VGA analog port. This can save your present hardware investment. In addition to that, by using the CPU card with VGA chip on board, you can save a backplane slot for other expansion needs.



Industrial Flat Panel Monitor with 15" LCD display and "Touchsurround"



Specification

Front panel: Aluminum meets NEMA 4/ IP65

Mounting: Panel or wall mount

I/O port:

- **RS-232:** For touchscreen only
- **VGA port:** 15 pin D-sub
- **Power switch:**
- **DC power port:** 5 pin DIN connector

OSD (On Screen Display) adjustment items

- **Display mode:** XGA, SVGA, VGA, VGA-Text, PC-9801, Mac.
- **Positioning:** Horizontal, Vertical
- **Contrast:** B/W, Red, Green, Blue
- **Size adjustment:** Horizontal
- **CLK adjustment:** Delay

Brightness adjustment

- **Sync:** Horizontal and Vertical
- **Power adapter:** 48W; 4A@ 12V

Touchscreen Specification

- **Type:** 8 Wire, analog resistive type
- **Resolution:** Continuous

LCD specification	
Display type	a-Si TFT active matrix
Display size	304.1(H) x 228.1(V) mm
Max colors	256K
Support reso.	XGA, SVGA, VGA, VGA-text, PC-9801, Mac
Viewing angle	Horizontal 110° Vertical 95°
Luminance (cd/m2)	200
Storage temp	-20~60 degC
Operate temp	0~50 degC
LCD MTB	50,000 hrs
Backlight Lifespan:	25,000 hrs
Cable length	1.8m
Response time	40ms (Max)
Signal System	Analog RGB
Supply voltage	12 Volts
Power consumption	16.5W

Industrial Flat Panel Monitor with 15" LCD display and "Touchsurround"

- **Construction:** PET Laminated with 7 layers buffer
- **Light transmission:** 75%
- **Hardness:** 4H (Meets ASTM-D-3363-92A standard, tabler abrasion test)
- **Operating pressure:** 30-45 gram for finger touch, 10 gram for stylus pen, contact bounce <10ms
- **Controller:** RS232 interface
- **Power consumption:** +5V@200mA (1A)
- **Lifespan:** More than 100 million touches
- **Backing panel:** Chemically strengthened glass

Ordering Information

FPM-3159TV

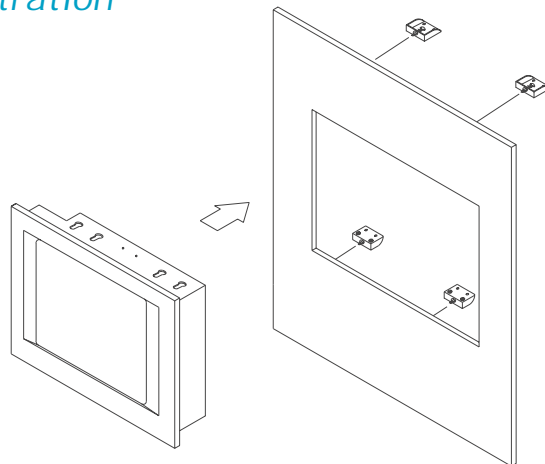
Chameleon panel monitor with 15" TFT LCD, 20.1" touchscreen and 48W AC/DC power supply

Accessory Products

Advantech provides a wide variety of IPC chassis, which support from 4 to 20 slots. For detailed information, please contact our sales representative or visit our website:

[Http://www.advantech.com](http://www.advantech.com)

Panel mount illustration



Wall mount illustration

