

The DSX_i[™] Advantage

DSX_i[™] Improvements over Traditional DSX Panels



The DSX_i[™] Advantage

DSX_i[™] Improvements over Traditional DSX Panels



DSX_i Panel Design Improvements:

- Higher density (4" chassis)
- Physical separation of monitor and out ports
- Shadowing of monitor ports
- Every circuit numbered
- Contoured fascia
- Improved label cards
- Smaller, brighter LEDs
- Bolded key circuits
- Added label space
- -48 V DC or +24 V DC



DSXⁱTM

Specifications and Reference Schematic

DS-1 operates at 1.544 Mbps* (.772 MHz)

Cross Talk:

Average: Better than -74 dB
Adjacent-Channels: Better than -50 dB

Insertion Loss:

Less than 0.20 dB

Monitor Level:

20 dB below signal level

Impedance:

100 ohms - balanced

Cross-Connect Length:

85-feet twisted pair

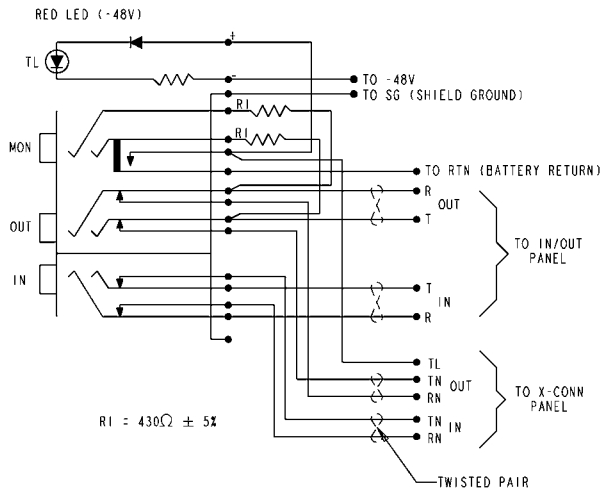
Power Requirements:

-48 Vdc or + 24Vdc

Compliance:

NEBS

6/08 • 105884AE The DSXⁱTM Advantage





DSXi™
The DSXi Advantage



Traditional Panel
Every circuit numbered



DSXi Panel



Traditional Panel

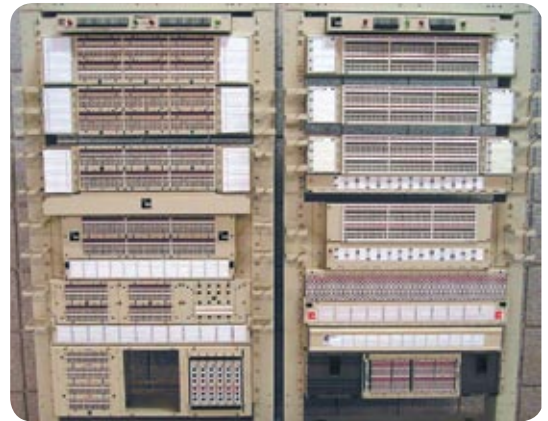


DSXi Panel

Improved label cards



DSXi Panel **Traditional Panel**
Each panel saves one inch of valuable rack space



DSXi Panel **Traditional Panel**
Each panel saves one inch of valuable rack space

6/08 • 105884AE The DSXi™ Advantage



DSXi™

Individual Configurations for Individual Needs

6/08 • 105884AE The DSXi™ Advantage

Catalog Number*
Di-

Rear Cross-Connect

	Circuit Density	Width	Height	Mounting
Y	56	23"	4"	23"
A	56	19"	4"	19"/23"
B	56	19"	5.25"	19"/23"
C	60	19"	4"	19"/23"
D	64	19"	4"	19"/23"
E	64	19"	5.25"	19"/23"
F	84	19"	7"	19"/23"
G	84	23"	4"	23"

Front Split Cross-Connect

	Circuit Density	Width	Height	Mounting
H	56	19"	4"	19"/23"
J	56	19"	4"	19"/23"
K	64	23"	5.25"	23"
L	64	19"	4"	19"/23"
M	84	23"	4"	23"

Front Below Cross-Connect

	Circuit Density	Width	Height	Mounting
Z	56	23"	4"	19"/23"
N	56	19"	6"	19"/23"
P	56	19"	5.25"	19"/23"
R	64	19"	6"	19"/23"
S	64	19"	5.25"	19"/23"
T	84	19"	7"	19"/23"

Total Front Access Cross-Connect

	Circuit Density	Width	Height	Mounting
U	56	19"	6"	19"/23"
W	64	23"	6"	23"
X	84	23"	6"	23"

Impedance

1	100 Ohm (North America)
2	120 Ohm (International)

Mounting Options

U	Universal EIA/WECO (North America)
E	ETSI (482.6 mm) 19" IEC
T	ETSI (535 mm)

Designation

C	Consecutive (1-56, 1-64, 1-84)
G	Grouped (56=1-28A and 1-28B, 64=1-32A and 1-32B, 84=1-28A, 1-28B and 1-28C)

I/O Equipment Cabling

2	Wire-wrap
3	64 pin receptacle
4	BNC balun**
5	QCP punchdown**
6	IDC block**
7	1.6/5.6 balun**
8	1.6/2.3 balun**

* For +24 VDC Panels, add "+24". For example: Di-D2CU1+24.

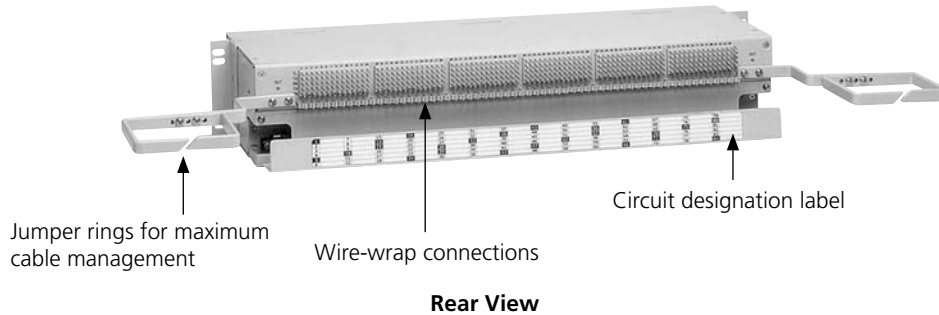
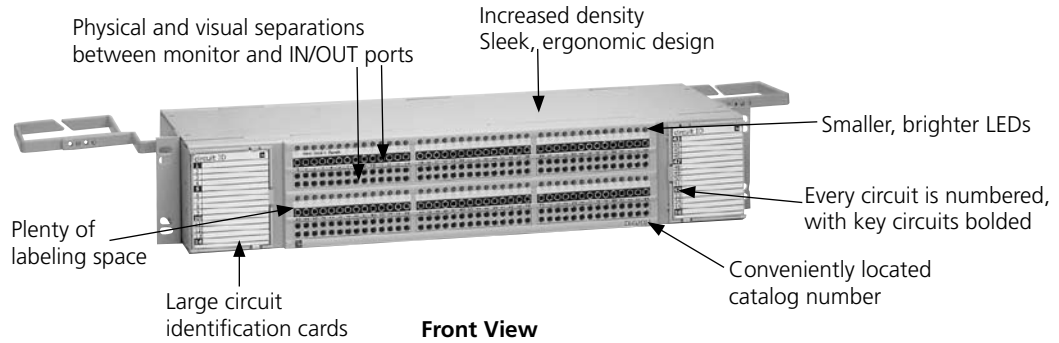
** Note: Not all connector styles are available with all cross-connect styles and circuit densities.



DSX_i[™]

Introduction – Design Elements

ADC's DSX_i[™] product family is the next generation of panels for digital signal cross-connect in T1 networks. DSX_i panels have improved density and manageability—making this the preferred choice in fixed-circuit DSX-1 equipment.



Features

- Increased density
- Up to 27 percent greater bay density, saving valuable floor space.
- Innovative design
- Easier circuit access and faster identification to help save time and money.
- Ingenious cable management
- Ensures cables are kept well organized.
- Incredibly reliable panels
- Designed to comply with NEBS Level 3 standards and backed by a lifetime warranty.
- Brighter LED
- Improved designation

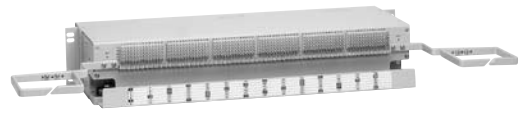
6/08 • 105884AE The DSX_i[™] Advantage

**DSXi™**

84-Termination Rear Cross-Connect Panels



Di-G2CU1
(Front View)



Di-G2CU1
(Rear View)

Features

- Improved circuit density by 20 percent with 4-inch-high panels
- Two 4-inch by 4-inch vertical jumper rings
- WECCO/EIA mounting brackets
- Circuit identification cards with major circuits bolded
- Red tracer LEDs for easier circuit identification
- Panel color: putty

Cross-Connect	IN/OUT Cabling	Designation	Dimensions (HxWxD)	Mounting Options	Catalog Number
Rear	Wire-wrap	1-28 A 1-28 B 1-28 C	102 mm x 582 mm x 203 mm (4" x 23" x 8")	Flush, 51 mm, 76 mm, 102 mm (2", 3", 4") recess	Di-G2GU1
Rear	Wire-wrap	1-84	102 mm x 582 mm x 203 mm (4" x 23" x 8")	Flush, 51 mm, 76 mm, 102 mm (2", 3", 4") recess	Di-G2CU1
Rear	64-pin	1-28 A 1-28 B 1-28 C	102 mm x 582 mm x 203 mm (4" x 23" x 8")	Flush, 51 mm, 76 mm, 102 mm (2", 3", 4") recess	Di-G3GU1
Rear	64-pin	1-84	102 mm x 582 mm x 203 mm (4" x 23" x 8")	Flush, 51 mm, 76 mm, 102 mm (2", 3", 4") recess	Di-G3CU1
Rear	Wire-wrap	1-28 A 1-28 B 1-28 C	178 mm x 483 mm x 203 mm (7" x 19" x 8")	Flush, 51 mm, 76 mm, 102 mm (2", 3", 4") recess	Di-F2GU1*
Rear	Wire-wrap	1-84	178 mm x 483 mm x 203 mm (7" x 19" x 8")	Flush, 51 mm, 76 mm, 102 mm (2", 3", 4") recess	Di-F2CU1*

*Accommodates 19" or 23" rack mount.

6/08 • 105884AE The DSXi™ Advantage



DSXⁱ

64-Termination Rear Cross-Connect Panels



Di-D2CU1
(Front View)



Di-D2CU1
(Rear View)

Features

- Two 4-inch by 4-inch vertical jumper rings
- Circuit identification cards with major circuits bolded
- WECCO/EIA mounting brackets
- Red tracer LEDs for easier circuit identification
- Panel color: putty

Cross-Connect	IN/OUT Cabling	Designation	Dimensions (HxWxD)	Mounting Options	Catalog Number
Rear	Wire-wrap	1-32 A 1-32 B	102 mm x 483 mm x 203 mm (4" x 19" x 8")	Flush, 51 mm, 76 mm, 102 mm (2", 3", 4") recess	Di-D2GU1*
Rear	Wire-wrap	1-64	102 mm x 483 mm x 203 mm (4" x 19" x 8")	Flush, 51 mm, 76 mm, 102 mm (2", 3", 4") recess	Di-D2CU1*

*Accommodates 19" or 23" rack mount.

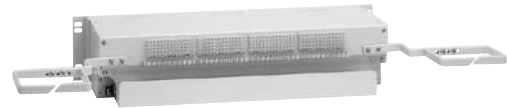
6/08 • 105884AE The DSXⁱ™ Advantage

**DSXⁱ**

56-Termination Rear Cross-Connect Panels



Di-A2GU1
(Front View)



Di-A2GU1
(Rear View)

Features

- Two 4-inch by 4-inch vertical jumper rings
- Circuit identification cards with major circuits bolded
- WECCO/EIA mounting brackets
- Red tracer LEDs for easier circuit identification
- Panel color: putty

6/08 • 105884AE The DSXⁱ™ Advantage

Cross-Connect	IN/OUT Cabling	Designation	Dimensions (HxWxD)	Mounting Options	Catalog Number
Rear	Wire-wrap	1-28 A 1-28 B	102 mm x 483 mm x 203 mm (4" x 19" x 8")	Flush, 51 mm, 76 mm, 102 mm (2", 3", 4") recess	Di-A2GU1*
Rear	Wire-wrap	1-56	102 mm x 483 mm x 203 mm (4" x 19" x 8")	Flush, 51 mm, 76 mm, 102 mm (2", 3", 4") recess	Di-A2CU1*
Rear	64-pin	1-28 A 1-28 B	102 mm x 483 mm x 203 mm (4" x 19" x 8")	Flush, 51 mm, 76 mm, 102 mm (2", 3", 4") recess	Di-A3GU1*
Rear	64-pin	1-56	102 mm x 483 mm x 203 mm (4" x 19" x 8")	Flush, 51 mm, 76 mm, 102 mm (2", 3", 4") recess	Di-A3CU1*
Rear	Wire-wrap	1-28 A 1-28 B	102 mm x 584 mm x 203 mm (4" x 23" x 8")	Flush, 51 mm, 76 mm, 102 mm (2", 3", 4") recess	Di-Y2GU1
Rear	Wire-wrap	1-56	102 mm x 584 mm x 203 mm (4" x 23" x 8")	Flush, 51 mm, 76 mm, 102 mm (2", 3", 4") recess	Di-Y2CU1

*Accommodates 19" or 23" rack mount.



DSXi™

84-Termination Front Cross-Connect Panels



Di-M2GU1
(Front View)



Di-M2GU1
(Rear View)

Features

- Increased circuit density by 14 percent with 6-inch-high panels
- Two 2-inch by 4-inch vertical jumper rings
- Circuit identification cards with major circuits bolded
- WECO/EIA mounting brackets
- Red tracer LEDs for easier circuit identification
- Front cross-connect and network equipment cable interface
- Panel color: putty

Cross-Connect	IN/OUT Cabling	Designation	Dimensions (HxWxD)	Mounting Options	Catalog Number
Front (split)	Wire-wrap	1-28 A 1-28 B 1-28 C	102 mm x 582 mm x 203 mm (4" x 23" x 8")	Flush, 51 mm, 76 mm, 102 mm (2", 3", 4") recess	Di-M2GU1
Front (split)	Wire-wrap	1-84	102 mm x 582 mm x 203 mm (4" x 23" x 8")	Flush, 51 mm, 76 mm, 102 mm (2", 3", 4") recess	Di-M2CU1
Front (split)	64-pin	1-28 A 1-28 B 1-28 C	102 mm x 582 mm x 203 mm (4" x 23" x 8")	Flush, 51 mm, 76 mm, 102 mm (2", 3", 4") recess	Di-M3GU1
Front (split)	64-pin	1-84	102 mm x 582 mm x 203 mm (4" x 23" x 8")	Flush, 51 mm, 76 mm, 102 mm (2", 3", 4") recess	Di-M3CU1
Front (below)	Wire-wrap	1-28 A 1-28 B 1-28 C	178 mm x 483 mm x 203 mm (7" x 19" x 8")	Flush, 51 mm, 76 mm, 102 mm (2", 3", 4") recess	Di-T2GU1*
Front (below)	Wire-wrap	1-84	178 mm x 483 mm x 203 mm (7" x 19" x 8")	Flush, 51 mm, 76 mm, 102 mm (2", 3", 4") recess	Di-T2CU1*

*Accommodates 19" and 23" rack mount.

6/08 • 105884AE The DSXi™ Advantage



DSXi™

64-Termination Front Cross-Connect Panels



Di-K2GU1
(Front View)



Di-K2GU1
(Rear View)

Features

- Increased circuit density by 20 percent with 4-inch-high panels
- Two 2-inch by 4-inch vertical jumper rings
- Circuit identification cards with major circuits bolded
- WECCO/EIA mounting brackets
- Red tracer LEDs for easier circuit identification
- Panel color: putty

Cross-Connect	IN/OUT Cabling	Designation	Dimensions (HxWxD)	Mounting Options	Catalog Number
Front (split)	Wire-wrap	1-32 A 1-32 B	102 mm x 582 mm x 203 mm (4" x 23" x 8")	Flush, 51 mm, 76 mm, 102 mm (2", 3", 4") recess	Di-K2GU1
Front (split)	Wire-wrap	1-64	102 mm x 582 mm x 203 mm (4" x 23" x 8")	Flush, 51 mm, 76 mm, 102 mm (2", 3", 4") recess	Di-K2CU1
Front (below)	Wire-wrap	1-32 A 1-32 B	152 mm x 483 mm x 203 mm (6" x 19" x 8")	Flush, 51 mm, 76 mm, 102 mm (2", 3", 4") recess	Di-R2GU1*
Front (below)	Wire-wrap	1-64	152 mm x 483 mm x 203 mm (6" x 19" x 8")	Flush, 51 mm, 76 mm, 102 mm (2", 3", 4") recess	Di-R2CU1*

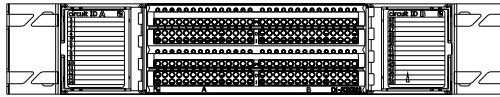
*Accommodates 19" and 23" rack mount.

6/08 • 105884AE The DSXi™ Advantage

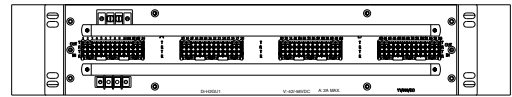


DSXi™

56-Termination Front Cross-Connect Panels



Di-H2GU1
(Front View)



Di-H2GU1
(Rear View)

Features

- Improved circuit density by 14 percent with 6-inch-high panels
- Two 2-inch by 4-inch vertical jumper rings
- Circuit identification cards with major circuits bolded
- WECO/EIA mounting brackets
- Red tracer LEDs for easier circuit identification
- Panel color: putty

6/08 • 105884AE The DSXi™ Advantage

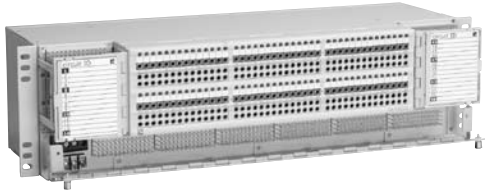
Cross-Connect	IN/OUT Cabling	Designation	Dimensions (HxWxD)	Mounting Options	Catalog Number
Front (split)	Wire-wrap	1-28 A 1-28 B	102 mm x 483 mm x 203 mm (4" x 19" x 8")	Flush, 51 mm, 76 mm, 102 mm (2", 3", 4") recess	Di-H2GU1*
Front (split)	Wire-wrap	1-56	102 mm x 483 mm x 203 mm (4" x 19" x 8")	Flush, 51 mm, 76 mm, 102 mm (2", 3", 4") recess	Di-H2CU1*
Front (split)	64-pin	1-28 A 1-28 B	102 mm x 483 mm x 203 mm (4" x 19" x 8")	Flush, 51 mm, 76 mm, 102 mm (2", 3", 4") recess	Di-H3GU1*
Front (split)	64-pin	1-56	102 mm x 483 mm x 203 mm (4" x 19" x 8")	Flush, 51 mm, 76 mm, 102 mm (2", 3", 4") recess	Di-H3CU1*
Front (below)	Wire-wrap	1-28 A 1-28 B	102 mm x 584 mm x 203 mm (4" x 23" x 8")	Flush, 51 mm, 102 mm, 127 mm (2", 3", 4") recess	Di-Z2GU1
Front (below)	Wire-wrap	1-56	102 mm x 584 mm x 203 mm (4" x 23" x 8")	Flush, 51 mm, 102 mm, 127 mm (2", 3", 4") recess	Di-Z2CU1
Front (below)	Wire-wrap	1-28 A 1-28 B	152 mm x 483 mm x 203 mm (6" x 19" x 8")	Flush, 51 mm, 76 mm, 102 mm (2", 3", 4") recess	Di-N2GU1*
Front (below)	Wire-wrap	1-56	152 mm x 483 mm x 203 mm (6" x 19" x 8")	Flush, 51 mm, 76 mm, 102 mm (2", 3", 4") recess	Di-N2CU1*
Front (below)	64-pin	1-28 A 1-28 B	152 mm x 483 mm x 203 mm (6" x 19" x 8")	Flush, 51 mm, 76 mm, 102 mm (2", 3", 4") recess	Di-N3GU1*
Front (below)	64-pin	1-56	152 mm x 483 mm x 203 mm (6" x 19" x 8")	Flush, 51 mm, 76 mm, 102 mm (2", 3", 4") recess	Di-N3CU1*

*Accommodates 19" and 23" rack mount.



DSXi™

84-Termination Total Front Access Cross-Connect Panels



Di-X2CU1
(Front View)

Features

- Increased circuit density by 14 percent with 6-inch-high panels
- Two 2-inch by 4-inch vertical jumper rings
- Circuit identification cards with major circuits bolded
- WECC/EIA mounting brackets
- Red tracer LEDs for easier circuit identification
- Front cross-connect and network equipment cable interface
- Panel color: putty

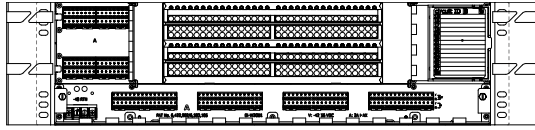
Cross-Connect	IN/OUT Cabling	Designation	Dimensions (HxWxD)	Mounting Options	Catalog Number
Total front access	Wire-wrap	1-28 A 1-28 B 1-28 C	152 mm x 582 mm x 203 mm (6" x 23" x 8")	Flush, 51 mm, 76 mm, 102 mm (2", 3", 4") recess	Di-X2GU1
Total front access	Wire-wrap	1-84	152 mm x 582 mm x 203 mm (6" x 23" x 8")	Flush, 51 mm, 76 mm, 102 mm (2", 3", 4") recess	Di-X2CU1

6/08 • 105884AE The DSXi™ Advantage



DSXi™

64-Termination Total Front Access Cross-Connect Panels



Di-W2GU1
(Front View)

Features

- Two 2-inch by 4-inch vertical jumper rings
- Circuit identification cards with major circuits bolded
- WECO/EIA mounting brackets
- Red tracer LEDs for easier circuit identification
- Front cross-connect and network equipment cable interface
- Panel color: putty

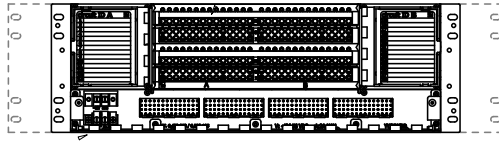
Cross-Connect	IN/OUT Cabling	Designation	Dimensions (HxWxD)	Mounting Options	Catalog Number
Total front access	Wire-wrap	1-32 A 1-32 B	152 mm x 582 mm x 203 mm (6" x 23" x 8")	Flush, 51 mm, 76 mm, 102 mm (2", 3", 4") recess	Di-W2GU1
Total front access	Wire-wrap	1-64	152 mm x 582 mm x 203 mm (6" x 23" x 8")	Flush, 51 mm, 76 mm, 102 mm (2", 3", 4") recess	Di-W2CU1

6/08 • 105884AE The DSXi™ Advantage



DSXi™

56-Termination Total Front Access Cross-Connect Panels



Di-U2GU1
(Front View)



Di-U2GU1
(Rear View)

Features

- Two 2-inch by 4-inch vertical jumper rings
- Circuit identification cards with major circuits bolded
- WECCO/EIA mounting brackets
- Red tracer LEDs for easier circuit identification
- Front cross-connect and network equipment cable interface
- Panel color: putty

Cross-Connect	IN/OUT Cabling	Designation	Dimensions (HxWxD)	Mounting Options	Catalog Number
Total front access	Wire-wrap	1-28 A 1-28 B	152 mm x 483 mm x 203 mm (6" x 19" x 8")	Flush, 51 mm, 76 mm, 102 mm (2", 3", 4") recess	Di-U2GU1*
Total front access	Wire-wrap	1-56	152 mm x 483 mm x 203 mm (6" x 19" x 8")	Flush, 51 mm, 76 mm, 102 mm (2", 3", 4") recess	Di-U2CU1*

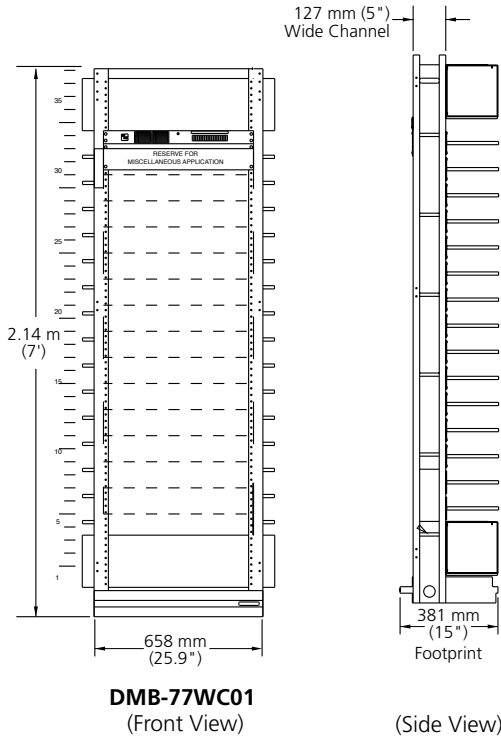
*Accommodates 19" and 23" rack mount.

6/08 • 105884AE The DSXi™ Advantage



DSXi™ Rear Cross-Connect Skeleton Bays

6/08 • 105884AE The DSXi™ Advantage



Features

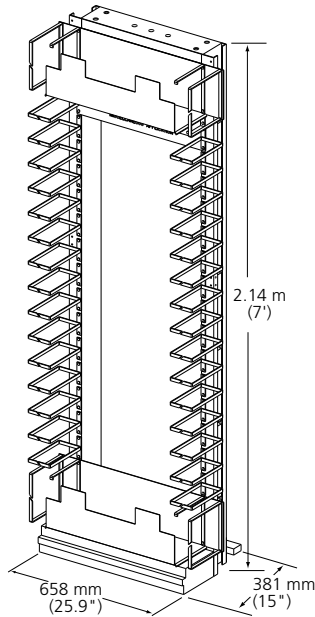
- Accommodates rear cross-connect style DSXi® panels
- Increased density with up to 1,176 terminations in a 23-inch bay
- WECO network-style racks
- Equipped with fuse panel, upper and lower horizontal jumper troughs, and vertical jumper rings
- Bay color: putty

Description	Dimensions (HxWxD)	Catalog Number
19" bay		
Rear cross-connect skeleton bay, empty Accommodates up to (14) 102 mm (4") high 56- or 64-termination panels, 784 terminations	2.14 m x 483 mm x 381 mm (7' x 19" x 15")	DMB-77WC02
23" bays		
Rear cross-connect skeleton bay, empty Accommodates up to (14) 102 mm (4") high 84-termination panels, 1,176 terminations	2.14 m x 584 mm x 381 mm (7' x 23" x 15")	DMB-77WC01
Rear cross-connect bay, fully loaded with 14 Di-G2GU1 panels 84-termination panels, 1,176 terminations	2.14 m x 584 mm x 381 mm (7' x 23" x 15")	DMB-72WC02
Rear cross-connect bay, fully loaded with 14 Di-G2CU1 panels 84-termination panels, 1,176 terminations	2.14 m x 584 mm x 381 mm (7' x 23" x 15")	DMB-72WC01



DSXi™

Front Cross-Connect Skeleton Bays



DMB-78WC01
(Front View)

6/08 • 105884AE The DSXi™ Advantage

Features

- Accommodates front cross-connect style DSXi® panels
- Increased density with up to 784 terminations in a single 19-inch bay; 1,176 terminations in a 23-inch bay
- WECO network-style racks
- Equipped with fuse panel, upper and lower horizontal jumper troughs, and vertical jumper rings
- Bay color: putty

Description	Dimensions (HxWxD)	Catalog Number
19" bay		
Front cross-connect skeleton bay, empty Accommodates up to (14) 102 mm (4") high 56- or 64-termination panels, 784 terminations	2.14 m x 483 mm x 381 mm (7' x 19" x 15")	DMB-78WC02
23" bays		
Front cross-connect skeleton bay, empty Accommodates up to (14) 102 mm (4") high 84-termination panels, 1,176 terminations	2.14 m x 584 mm x 381 mm (7' x 23" x 15")	DMB-78WC01
Front cross-connect bay, fully loaded with 14 Di-M2GU1 panels 84-termination panels, 1,176 terminations	2.14 m x 584 mm x 381 mm (7' x 23" x 15")	DMB-71WC02
Front cross-connect bay, fully loaded with 14 Di-M2CU1 panels 84-termination panels, 1,176 terminations	2.14 m x 584 mm x 381 mm (7' x 23" x 15")	DMB-71WC01

**DSXi™**

Quality patch cords and cross-connect cables in various configurations and lengths

6/08 • 105884AE The DSXi™ Advantage

Ordering Information

Description	Catalog Number
Bantam Patch Cords	
Three Conductor Single	
.3m (1')	PJ712
.92m (3')	PJ716
1.83m (6')	PJ722
3.66 (12')	PJ1212
6.1m (20')	PJ1420
Three Conductor Dual	
.3m (1')	PJ762
.92m (3')	PJ766
1.83m (6')	PJ772
3.66 (12')	PJ1312
6.1m (20')	PJ1520
Bantam Plugs	
Three conductor looping plug	PJ746
Three conductor dummy plug	PJ748
100 OHM termination plug	PJ800
Circuit Guard Plug-Red	PJ925R
Central Office Cable	
26 AWG Dual Shield FTP Riser Cable, 28 Pair Equivalent to 1249C Series	DSR-28261DDGYXX*
26 AWG Dual Shield FTP Riser Cable, 28 Pair Equivalent to 600C Series	DSR-28222SDGYXX*
Manual Wire-wrap Tool Kit	AUX-0X0165
Cross-Connect Wire	
1000'	DSX-CCW/1000

*To designate reel length, replace XX as follows

02 = 304 m (1000 ft)

04 = 609 m (2000 ft)

05 = 762 m (2500 ft)

06 = 914 m (3000 ft)

10 = 1524 m (5000 ft)



DSXi™

Traditional to DSXi Cross-Reference

6 / 0 8 • 1 0 5 8 8 4 A E The DSXi™ Advantage

Traditional Catalog Number	Description	DSXi Catalog Number	Difference
D1M-1A0013	84-Position Front Split Cross-Connect, 1-28ABC, Putty, 5" x 23" x 8"	Di-M2GU1	4" x 23" x 8"
D1M-1A0018	84-Position Front Split Cross-Connect, 1-84, Putty, 5" x 23" x 8"	Di-M2CU1	4" x 23" x 8"
D1M-1A0043	84-Position Front Split Cross-Connect, 1-28ABC, Black, 5" x 23" x 8"	Di-M2GU1	4" x 23" x 8", Putty
D1M-1A0019	84-Position Front Split Cross-Connect, 1-84, Black, 5" x 23" x 8"	Di-M2CU1	4" x 23" x 8", Putty
D1M-1A0021	84-Position Front Split Cross-Connect, 64 Pin, 1-28ABC, Putty, 5" x 23" x 10"	Di-M3GU1	4" x 23" x 8"
D1M-1A0023	84-Position Front Split Cross-Connect, 64 Pin, 1-84, Putty, 5" x 23" x 10"	Di-M3CU1	4" x 23" x 8"
D1M-1C0028	84-Position Front Below Cross-Connect, 1-28ABC, Putty, 7" x 23" x 8"	Di-T2GU1	7" x 19/23" x 8"
D1M-1C0031	84-Position Front Below Cross-Connect, 1-84, Putty, 7" x 23" x 8"	Di-T2CU1	7" x 19/23" x 8"
D1M-1C0002	84-Position Front Below Cross-Connect, 1-84, Putty, 7" x 19" x 8"	Di-T2CU1	7" x 19/23" x 8"
D1M-1C0029	84-Position Front Below Cross-Connect, 1-28ABC, Black, 7" x 19" x 8"	Di-T2GU1	7" x 19/23" x 8", Putty
D1M-1C0022	84-Position Front Below Cross-Connect, 1-84, Black, 7" x 19" x 8"	Di-T2CU1	7" x 19/23" x 8", Putty
D1M-1B0004	84-Position Rear Cross-Connect, 1-28ABC, Putty, 5" x 23" x 10"	Di-G2GU1	4" 23" x 8"
D1M-1B0005	84-Position Rear Cross-Connect, 1-84, Putty, 5" x 23" x 10"	Di-G2CU1	4" 23" x 8"
D1M-1B0011	84-Position Rear Cross-Connect, 1-28ABC, Black, 5" x 23" x 10"	Di-G2GU1	4" 23" x 8", Putty
D1M-1B0006	84-Position Rear Cross-Connect, 1-84, Black, 5" x 23" x 10"	Di-G2CU1	4" 23" x 8", Putty
D1M-1B0007	84-Position Rear Cross-Connect, 64 Pin, 1-28ABC, Putty, 5" x 23" x 10"	Di-G3GU1	4" x 23" x 8"
D1M-1A0014	84-Position All Front Access, 1-28ABC, Putty, 7" x 23" x 8"	Di-X2GU1	6" 23" x 8"
D1M-1A0036	84-Position All Front Access, 1-84, Putty, 7" x 23" x 8"	Di-X2CU1	6" 23" x 8"
D1M-1C2006	64-Position Front Below Cross-Connect, 1-32AB, Putty, 7" x 19/23" x 8"	Di-R2GU1	6" 19/23" x 8"
DSX-DR64	64-Position Front Below Cross-Connect, Black, 1-64, 7" x 23" x 8"	Di-R2CU1	6" 19/23" x 8", Putty
D1M-1C2020	64-Position Front Below Cross-Connect, Black, 1-64, 7" x 19" x 8"	Di-R2CU1	6" 19/23" x 8", Putty
DSX-BEST-64	64-Position Rear Cross-Connect, Black, 1-32AB, 4" x 23" x 8"	Di-D2GU1	4" 19/23" x 8", Putty
DSX-BEST-64A	64-Position Rear Cross-Connect, Black, 1-64, 4" x 23" x 8"	Di-D2CU1	4" 19/23" x 8", Putty
D1M-1D2005	64-Position Rear Cross-Connect, black, 1-32AB, 7" x 19" x 8"	Di-D2GU1	4" 19/23" x 8", Putty
D1M-1D2001	64-Position Rear Cross-Connect, Black, 1-64, 5.25" x 19" x 8"	Di-D2CU1	4" 19/23" x 8", Putty
D1M-1A2006	64-Position Front Split Cross-Connect, 1-32AB, 5" x 23" x 8"	Di-K2GU1	4" 23" x 8"
D1M-1A2004	64-Position Front Split Cross-Connect, 1-64, 5" x 23" x 8"	Di-K2CU1	4" 23" x 8"
D1M-1A2007	64-Position Front Split Cross-Connect, Black, 1-32AB, 5" x 23" x 8"	Di-K2GU1	4" 23" x 8", Putty
D1M-1A2005	64-Position Front Split Cross-Connect, Black, 1-64, 5" x 23" x 8"	Di-K2CU1	4" 23" x 8", Putty
DSX-CEV-64	64-Position All Front Access, 1-32AB, 6" x 23" x 8"	Di-W2GU1	6" x 23" x 8", Putty
DSX-DR64/F	64-Position All Front Access, Black, 1-64, 8.25" x 23" x 8"	Di-W2CU1	6" x 23" x 8", Putty
DSX-DR	56-Position Front Below Cross-Connect, Black, 1-28AB, 7" x 23" x 8"	Di-N2GU1	6" x 19/23" x 8", Putty
DSX-DR56-5	56-Position Front Below Cross-Connect, Black, 1-56, 5" x 23" x 6.12"	Di-N2CU1	6" x19/ 23" x 8", Putty
DSX-DR19	56-Position Front Below Cross-Connect, Black, 1-28AB, 7" x 19" x 8"	Di-N2GU1	6" x 19/23" x 8", Putty
DSX-DR-56-1	56-Position Front Below Cross-Connect, Black, 1-56, 5" x 19" x 8"	Di-N2CU1	6" x19/ 23" x 8", Putty
DSX-BEST-56	56-Position Rear Below Cross-Connect, Black, 1-56, 4" x 23" x 8"	Di-A2CU1	4" x 19/23" x 8", Putty
DSX-BEST-56C	56-Position Rear Below Cross-Connect, Black, 1-28AB, 4" x 23" x 8"	Di-A2GU1	4" x19/ 23" x 8", Putty
DSX-BEST-56/19	56-Position Rear Below Cross-Connect, Black, 1-56, 7" x 19" x 8"	Di-A2CU1	4" x 19/23" x 8", Putty
DSX-DR19-RX	56-Position Rear Below Cross-Connect, Black, 1-28AB, 7" x 19" x 8"	Di-A2GU1	4" x19/ 23" x 8", Putty
DSX-CEV-56	56-Position All Front Access, Black, 1-28AB, 6" x 23" x 8"	Di-U2GU1	6" x 19/23" x 8", Putty

SPEC SHEET



Website: www.adc.com

From North America, Call Toll Free: 1-800-366-3891 • Outside of North America: +1-952-938-8080

Fax: +1-952-917-3237 • For a listing of ADC's global sales office locations, please refer to our website.

ADC Telecommunications, Inc., P.O. Box 1101, Minneapolis, Minnesota USA 55440-1101

Specifications published here are current as of the date of publication of this document. Because we are continuously improving our products, ADC reserves the right to change specifications without prior notice. At any time, you may verify product specifications by contacting our headquarters office in Minneapolis. ADC Telecommunications, Inc. views its patent portfolio as an important corporate asset and vigorously enforces its patents. Products or features contained herein may be covered by one or more U.S. or foreign patents. An Equal Opportunity Employer

105884AE 6/08 Revision © 2008 ADC Telecommunications, Inc. All Rights Reserved