

P1500 / P1200

High Performance Pentium® III Panel PC with 15"/12.1" TFT LCD

Modular Panel PC

ARBOR



Features

CE FCC ...

- * High Performance Pentium III/Celeron CPU
- * 12.1"/15" Resistive Touchscreen
- * Modularized System Design
- * Integrated LAN and Audio
- * 2-slot PCI/ISA on riser card

Specifications

System

- **CPU:** Intel® Pentium® III/Celeron™ up to 1 GHz, FSB 133 MHz
- **Memory:** Up to 512 MB PC-133 SDRAM
One 168-pin DIMM
- **Chipset:** VIA ProSavage™ PM133
- **VGA:** C&T 69030
- **VRAM:** On-die 4 MB
- **Audio:** 16-bit 3D AC'97
- **Network:** Intel 82559, 10/100 Mbps, autoswitching
- **EIDE:** UltraDMA 100/66/33
- **Watchdog Timer:** 128-level
- **Expansion:** One PC/104-Plus
Optional 1-slot PCI or 2-slot PCI/ISA on riser card
- **Weight:** 8 Kgs
- **Dimension (W x H x D):**

P1500	P1200
425 x 330 x 100.4 mm	359 x 269 x 94.4 mm
16.7 x 13 x 3.9 inch	14.1 x 10.6 x 3.7 inch
- **Construction:** Heavy-duty Steel

LCD Display

- **Size / Type:**

P1500	P1200
15" TFT Color LCD	12.1" TFT Color LCD
- **Max. Resolution:**

P1500	P1200
1024 x 768, XGA	800 x 600, SVGA
- **Max. Colors:** 262 K
- **Viewing Angle:** 160°
- **Pixel Pitch:** 0.3075 x 0.3075
- **Luminance (cd/m²):** 250
- **Back Light MTBF:** 50,000 hours
- **Touchscreen:** Resistive

Storage

- **HDD / Type:** One built-in 2.5" HDD bay
- **FDD / Type:** One built-in Slim-type 3.5" FDD
- **CD-ROM / Type:** 1x Slim-type CD-ROM, 24x or above
- **Flash Disk:** 1x DiskOnChip socket up to 288 MB

Multi I/O

- **Serial Ports:** 3 x RS-232 (one reserved for touchscreen)
1 x RS-232/422/485
- **USB:** Two (12 Mb/s, 1.5 Mb/s)
- **Parallel:** 1x SPP/EPP/ECP
- **Keyboard/ Mouse:** 1x PS/2 K/B, 1x PS/2 Mouse
- **LAN:** RJ-45
- **Audio:** Mic-in, Line-in, Line-out

Ordering Information

P1500

High Performance Pentium III/Celeron Panel PC with 15" TFT XGA LCD

P1200

High Performance Pentium III/Celeron Panel PC with 12" TFT SVGA LCD

Options

PPC-EXT-1S: One 32-bit PCI slot on riser card
PPC-EXT-2S: Two 32-bit PCI slot on riser card or
1x ISA and 1x PCI slot on riser card

- **GPIO:** 16-bit DI/O, 8-input, 8-output (Internal)

Power Supply

- **Output rating:** 150 W with PFC
- **Input voltage:** 90 ~ 264 VAC, 50/60 Hz
- **Output voltage:** +5 V @ 14 A, +12 V @ 6 A
- **Safety:** UL, UL+C, TUV

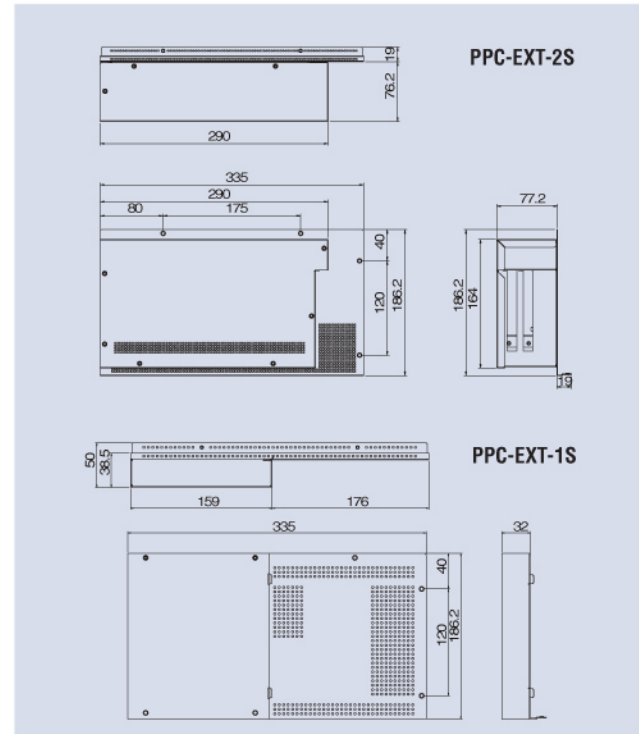
Environmental

- **Operation Temp.:** 0 to 50°C
- **Storage Temp.:** -20 to 60°C
- **Storage Humidity:** 5 to 95% non-condensing
- **Vibration:** 17 to 500 Hz, 1 G PTP
- **Shock:** 10 G / peak (11 msec)
- **Approvals:** CE, FCC Class A
- **Front Panel Protection:** Meet NEMA 4/12 & IP65

Mounting

- Wallmount/Desktop Stand/Swing Arm
- Meets Standard VESA mounting

Add-on Card Cage



Dimension Diagram

