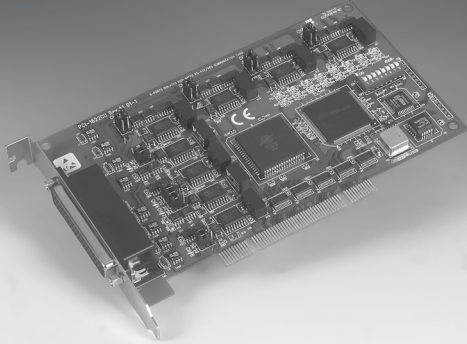


PCI-1622CU

8-port RS-422/485 Universal PCI Communication Card, w/Isolation & Surge Protection

NEW



FCC CE

Features

- PCI Specification 2.2 compliant
- Speeds up to 921.6 kbps
- 8-port RS-422/485
- 16PCI954 UARTs with 128-byte FIFOs standard
- I/O address automatically assigned by PCI Plug & Play
- OS supported: Windows® 98/ME/2000/XP
- Interrupt status register for increased performance
- Space reserved for termination resistors
- Automatic RS-485 data flow control
- Powerful and easy to use utility (ICOM Tools)
- Universal PCI
- 2,500 V_{DC} Surge Protection
- 2,500 V_{DC} Isolation Protection

Introduction

PCI-1622CU is an 8-port RS-422/485 PCI communication card that is compatible with the PCI 2.2 bus specification. PCI-1622CU provides many functions such as four independent RS-422/485 ports with isolation protection, high transmission speed of 921.6 kbps, surge protection and comes with high-performance 16PCI954 UARTs with a 128-byte FIFO to reduce CPU load. These components make your system more stable and reliable. Thus, the PCI-1622CU is especially suitable for multitasking environments.

PCI-1622CU has a universal PCI connector that is compatible with both newer 3.3 V signaling systems and the traditional 5 V signaling system. This gives high-compatibility and allows usage in diverse systems.

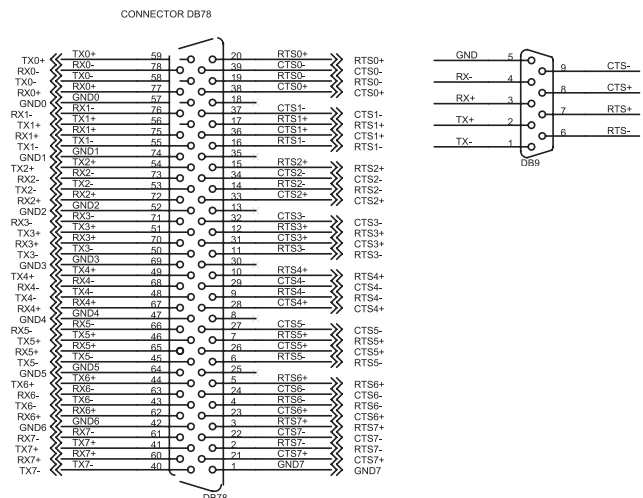
To further increase reliability, the PCI-1622CU offers surge protection from high voltages up to 2,500 V_{DC} and 2,500 V_{DC} isolation to protect your PC and equipment against damages from ground loops in harsh environments.

Advantech provides a convenient utility program called ICOM Tools to help test the PCI card's performance by analyzing the port status. The menu commands and toolbar buttons of ICOM Tools acts as a PC-based data scope that lets you set a trigger condition captures the communication data and monitors the signal status. ICOM Tools is applicable to all series of Advantech ICOM cards.

Specifications

- **Bus Interface** PCI bus specification 2.2 compliant
- **IRQ** All ports use the same IRQ assigned by PCI Plug & Play
- **Data Bits** 5, 6, 7, 8
- **Stop Bits** 1, 1.5, 2
- **Parity** None, even, odd
- **Communication Controller** 16PCI954
- **Speed** 50 bps ~ 921.6 kbps
- **Data Signals** TxD, RxD, RTS, CTS (for RS-422/485)
- **Surge Protection** 2,500 V_{DC}
- **ESD Protection** 16 kV
- **Isolation Protection** 2,500 V_{DC}
- **Power Consumption** 600 mA @ 5 V
- **Dimensions** 185 x 100 mm (7.3" x 3.9")
- **Operating Temperature** 0~ 65° C (refer to IEC 68-2-1, 2), (32~149° F)
- **Operating Humidity** 5 ~ 95% Relative Humidity, non-condensing (refer to IEC 68-2-3)
- **Storage Temperature** -25 ~ 85° C (-13 ~ 185° F)

Pin Assignments



Ordering Information

- **PCI-1622CU** 8-port RS-422/485 Universal PCI COMM card w/Isolation and Surge Protection (1m DB78 to 8 DB9 cable included)
- **OPT8I** 1 m DB78 to 8 DB25 cable
- **OPT8J** 1 m DB78 to 8 DB9 cable