

# PDC-170

## 17" Medical Display Console



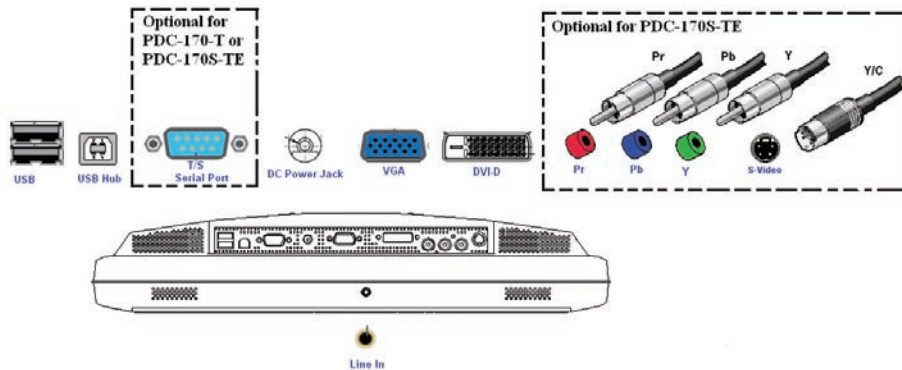
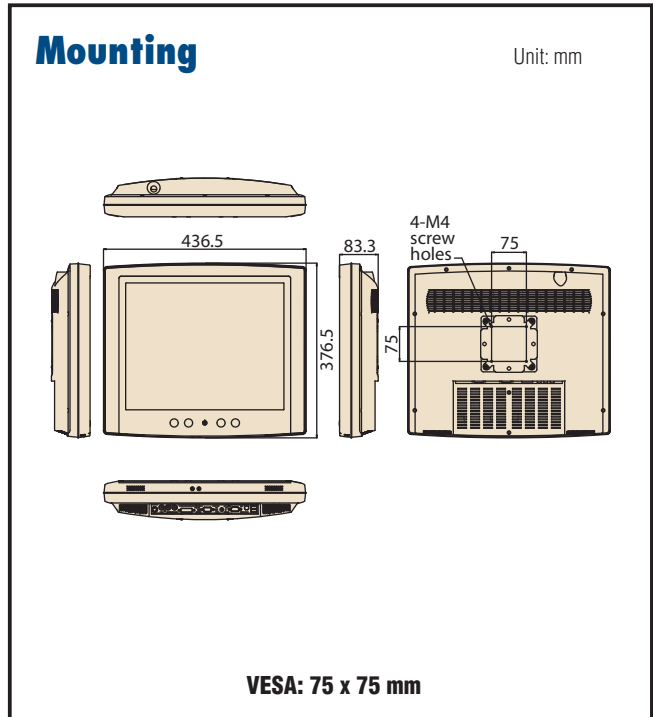
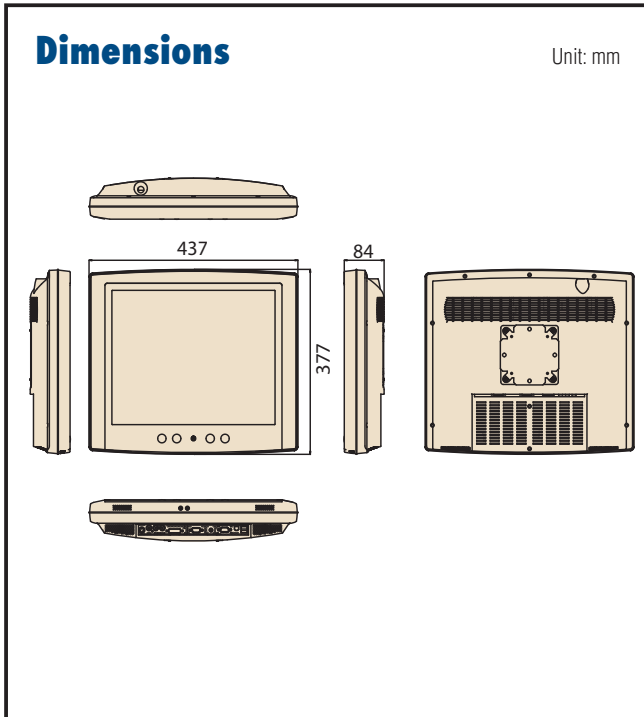
### Features

- 17" LCD display
- IPX1 water resistant enclosure with additional IP65 dust-tight front panel
- USB 2.0 hub function
- UL60601-1/EN60601-1, CE & FCC Class B certified
- Optional Trim Knob and S-Video / Component Video



### Specifications

Display	Display type	17" TFT LCD
	Max. Resolution	1280 x 1024
	Max. Colors	16.2 M (6 Bits + FRC)
	Dot size (mm)	0.264 x 0.264
	Viewing angle	160/160°
	Luminance	300 cd/m <sup>2</sup>
	Contrast ratio	800 : 1
	LCD MTBF	50,000 hours
	Backlight lifetime	50,000 hours
I/O Ports		VGA x 1, DVI-D x 1, Line-in x 1, USB type A x 2, USB type B x 1
		* Additional features for PDC-170-TE: RS-232 port x1
Speakers		* Additional features for PDC-170S-TE: RS-232 port x 1, Y/C (S-video) x 1, Component (YPrPb) x 1
		1 W speakers x 2
Power Supply		Universal AC/DC adapter (SINPRO model no. MPU50-108)
	Input voltage	100 ~ 240 V <sub>AC</sub> , 47 ~ 63 Hz
	Output voltage	+12 V <sub>DC</sub> , 3.75A max. (45 watts)
Optional Touchscreen	Type	Analog Resistive
	Resolution	Continuous
	Light transmission	75%
	Controller	RS-232 interface
	Durability	30 million touches
Environment	Temperature	0 ~ 40° C (Operating)
	Humidity	10 ~ 95% @ 40° C (non-condensing)
	Vibration/Shock Resistance	5 ~ 500 Hz, 1G acceleration/20G half sine, 11 msec duration
	Water/dust Resistance	IPX1 for whole system
Physical Characteristics	Dimensions (W x H x D)	437 x 377 x 84 mm (17.18" x 14.82" x 3.29")
	Weight	6.4kg (14.11 lb)



## Ordering Information

Part Number	Touch Panel	S-Video / YPrPb
PDC-170E	-	-
PDC-170-TE	RES.TS	-
PDC-170S-TE	RES.TS	YES

## Packing List

Description	Quantity
EMI core for power cord & RS-232 port	2
AC 45W SPS MPU50-108 W/PFC 100-240	1
Audio Cable, 1.5M	1
DVI-D Cable, 2M	1
USB Cable, 1.8M	1
D-Sub VGA cable, 1.8M	1
Advantech 2-year warranty card	1
Startup manual	1
CD-ROM for PDC-170 series Driver & Utility	1
China RoHs report	1
User manual for PDC-170, 1st Ed	1
RS-232 cable for T/S model	1

\* Please note power code is NOT included in the packing list.

## Accessories

Part Number	Description
Trim knob	Trim Knob for PDC-170 via USB