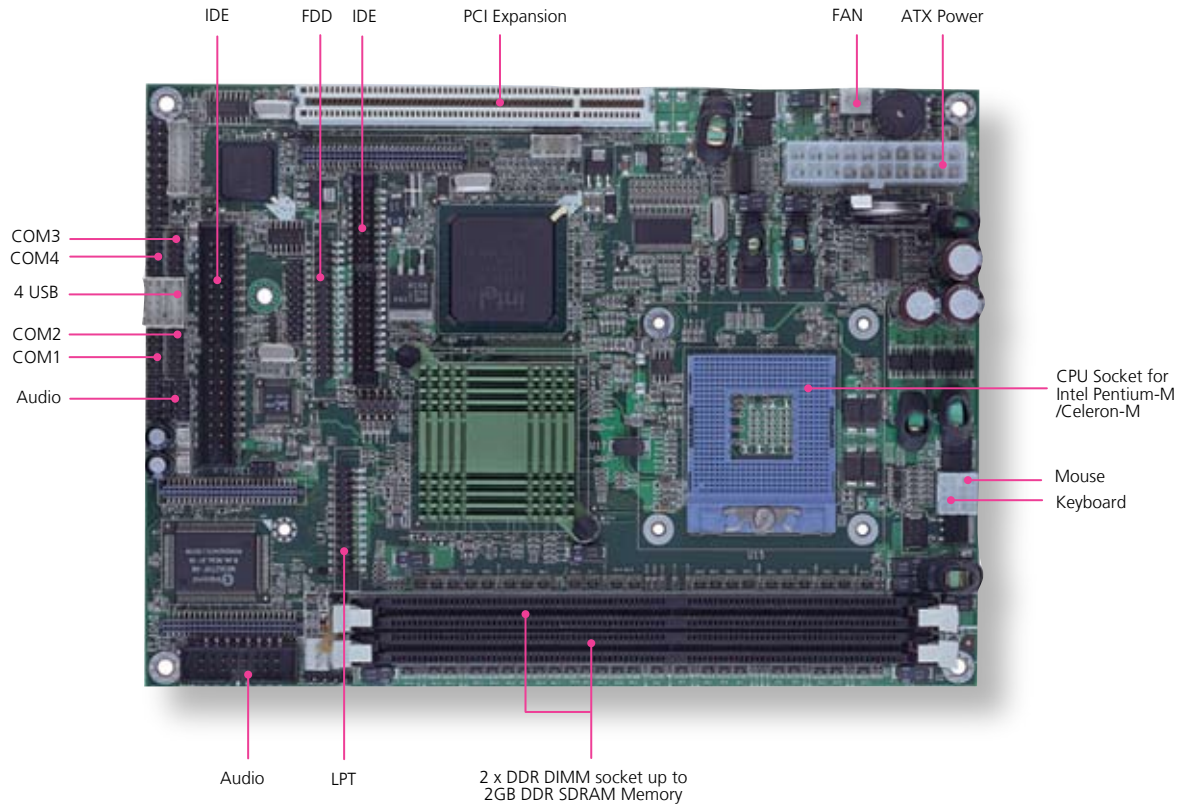


# EM-9571

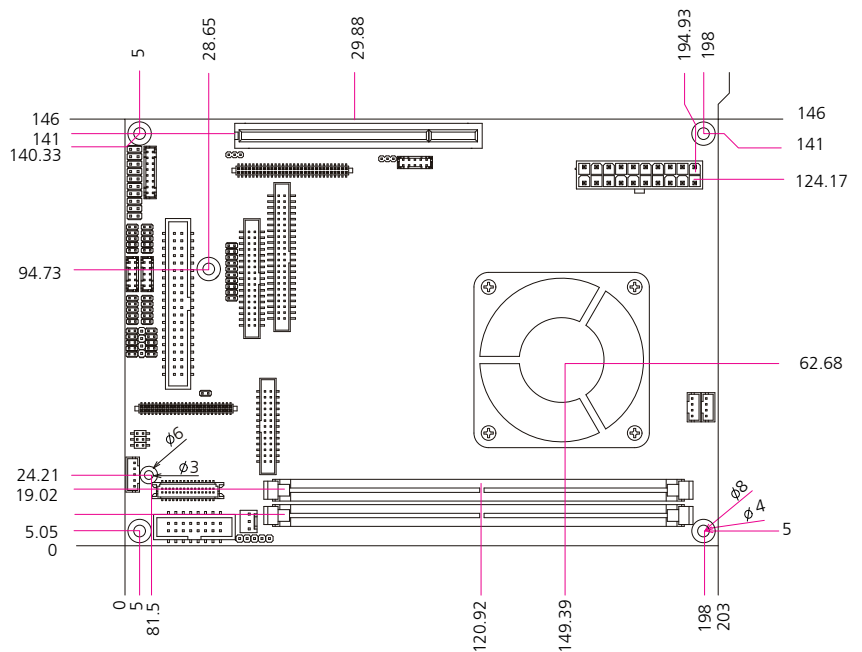
5.25" Intel Pentium-M / Celeron-M EBC with VGA/Audio/LAN/USB 2.0/CF

- VGA
- LAN
- AUDIO
- CF
- USB



## FEATURES

- Support Intel Pentium-M and Celeron-M processor
- Dual Ethernet, one for Giga-LAN and one for 10/100M Base-T Ethernet
- Type I/II CompactFlash socket
- 4 x USB 2.0 ports and 4 COMs / 1 Parallel / 1 IrDA
- 5.25" form factor

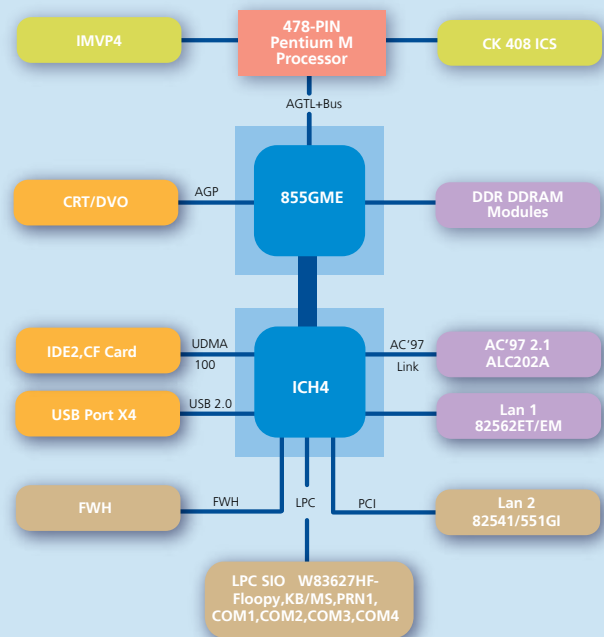


FEATURE	DESCRIPTION	
<b>Platform</b>	Form Factor	5.25" EBC
	Processor	Intel Pentium-M and Celeron-M
	Chipset	Intel 855GME GMCH / ICH4
	BIOS	Award Flash BIOS
	Cache Memory	Processor Built-in
<b>System Memory</b>	Technology	DDR 266 SDRAM
	Max Capacity	2GB
	Socket	184-pin DIMM socket x2
<b>Storage Interface</b>	IDE Interface	IDE x2
	SSD (CF Socket)	CompactFlash II x1
<b>Networking</b>	Speed	10/100 Mbps x1, 10/100/1000 Mbps x1
	I/O	RJ45 x2
	Controller	Intel 82562EM PHY, Intel 82541GI
<b>Display</b>	Controller	Intel 855GME GMCH integrated 2D/3D Graphics Engine
	Output	CRT, LVDS
<b>Audio</b>	Codec	AC'97 codec
	I/O	Mic-in, Line-in, Line-out
<b>I/O Interface</b>	Floppy Drive Interface	FDD header x 1
	Serial Port	RS-232 x3, RS-232/422/485 x1
	Parallel Port	1
	Universal Serial Bus	4 (v2.0)
	Digital I/O	4-bit input, 4-bit output
	Bus interface	PCI
	IR Interface	115k bps, IrDA 1.0 compliant
	Keyboard	PS/2
	Mouse	PS/2
	<b>Hardware Monitoring</b>	Controller
RTC		Winbond W83627HF-AW integrated RTC within Li-Battery
Watchdog timer		256-level time-out intervals
<b>Cooling</b>	Heatsink & Fan	
<b>Expansion</b>	PCI x1	
<b>Environmental Parameters</b>	Temperature, ambient operating	0~60°C (32~140°F)
	Humidity (RH), ambient operating	5~95% relative humidity, non-condensing
	Storage Temperature	-20~70°C (-4~158°F)
<b>Physical Dimensions</b>	Dimensions	203 X 146 mm (8.0"x 5.7"")
	Input	DC +5V/+12V
<b>Power</b>	Operation	DC +5V/+12V
	Form Factor	AT/ATX support
<b>Compliance</b>	CE, FCC, RoHS	

## ORDERING INFORMATION

<b>EM-9571A</b>	EBC with Dual LANs for 10/100Base-T and Giga-LAN
<b>EM-9571B</b>	EBC with Single LAN for 10/100Base-T

## PLATFORM ARCHITECTURE



### About Lanner

Founded in 1986 and publicly listed (TAIEX 6245) since 2003, Lanner Electronics Inc. is an ISO 9001 certified designer and manufacturer of reliable, frontline security, storage and applied computing platforms and solutions. With headquarters in Taipei, Taiwan and branches in the U.S., India, and China, Lanner is uniquely positioned to deliver custom technical solutions with localized, value-added service.

### Contact information

Lanner Electronics Inc  
7F, 173, Section 2 Datong road  
Sijhih City, Taipei County 221, Taiwan

**T** +886 2 86926060

**F** +886 2 86926101

**E** sales@lannerinc.com

**W** www.lannerinc.com