

Features

- Intel® 2nd Generation Core™ i5/ i3 Processor
- Intel® Core™ H61
- Dual-Channel DDR3 1333/1066 MHz SODIMM x 2, Up to 16GB
- Gigabit Ethernet x 2
- Intel® Integrated Graphics Engine Supports Independent Display By VGA, DVI, HDMI, LVDS
- HD 5.1CH Audio
- SATA 3.0Gb/s x 2, CF-SATA x 1
- USB2.0 x 8 , COM x 6
- PCI-Express[x4] x 1, Mini Card x 1, TPM Module (Optional)



Specifications

| System | |
|-----------------------------|--|
| Form Factor | Mini-ITX |
| Processor | Intel® 2nd Generation Core™ i5/ i3 Processor Supports Intel® 32 nm CPU up to 35W Supports Intel® Turbo Boost Technology 2.0 *The Intel® Turbo Boost Technology 2.0 support depends on the CPU types |
| System Memory | Dual-Channel DDR3 1066/1333 MHz SODIMM x 2, Max. 16GB |
| Chipset | Intel® Core™ H61 |
| I/O Chipset | ITE IT81866D |
| Ethernet | Realtek RTL8111E 10/100/1000Base-TX, RJ-45 x 2 |
| BIOS | AMI BIOS, SPI type, 64Mb ROM |
| Wake On LAN | Yes |
| Watchdog Timer | System reset : 1~255 steps programmable |
| TPM | Infineon SLB9635 (Optional) |
| H/W Status Monitoring | Supports system temperature, voltage, and cooling fan status monitoring |
| Expansion Interface | PCI-Express[x4] x 1, Full size Mini PCIe socket with one SIM Slot x 1 |
| Power Requirement | 4-pin ATX 12V Power connector x 1 |
| Power Consumption (Typical) | Intel® Core™ i5-2390T, DDR3 1333 8GB 3.9A@12V |
| Board Size | 6.7"(L) x 6.7"(W)(170mm x 170mm) |
| Gross Weight | 1.1 lb (0.5 Kg) |
| Operation Temperature | 32 °F ~ 140 °F (0 °C ~ 60 °C) |
| Storage Temperature | -4 °F ~ 158 °F (-20 °C ~ 8-70 °C) |
| Operation Humidity | 0% ~ 90% relative humidity, non-condensing |
| MTBF | — |
| Display | |
| Chipset | Intel® Core™ H61 integrated |
| Memory | Shared memory up to 1748 MB |
| Resolutions | 1920 x 1200 @ 60 Hz for HDMI or LVDS 2048 x 1530 @ 75 Hz for CRT |
| LCD Interface | 24-bit Dual channel LVDS x 1 |
| Video Interface | HDMI, RGB Port |
| I/O | |
| Storage | SATA 3.0Gb/s x 2, CF-SATA x 1 |
| Serial Port | RS-232 x 5 (pin box header) RS-232/422/485 x 1 supports 5/12V on the 9th (on I/O) |
| USB | USB2.0 x 8 (pin header x 4, Dock USB x 4) |
| Digital I/O | 8-bit programmable (4-in / 4-out) |
| PS/2 Port | KB/MS PS/2 combo Port x 1 (integrated with Dock USB) |
| Audio | Line-in, Mic-in, Line-out |

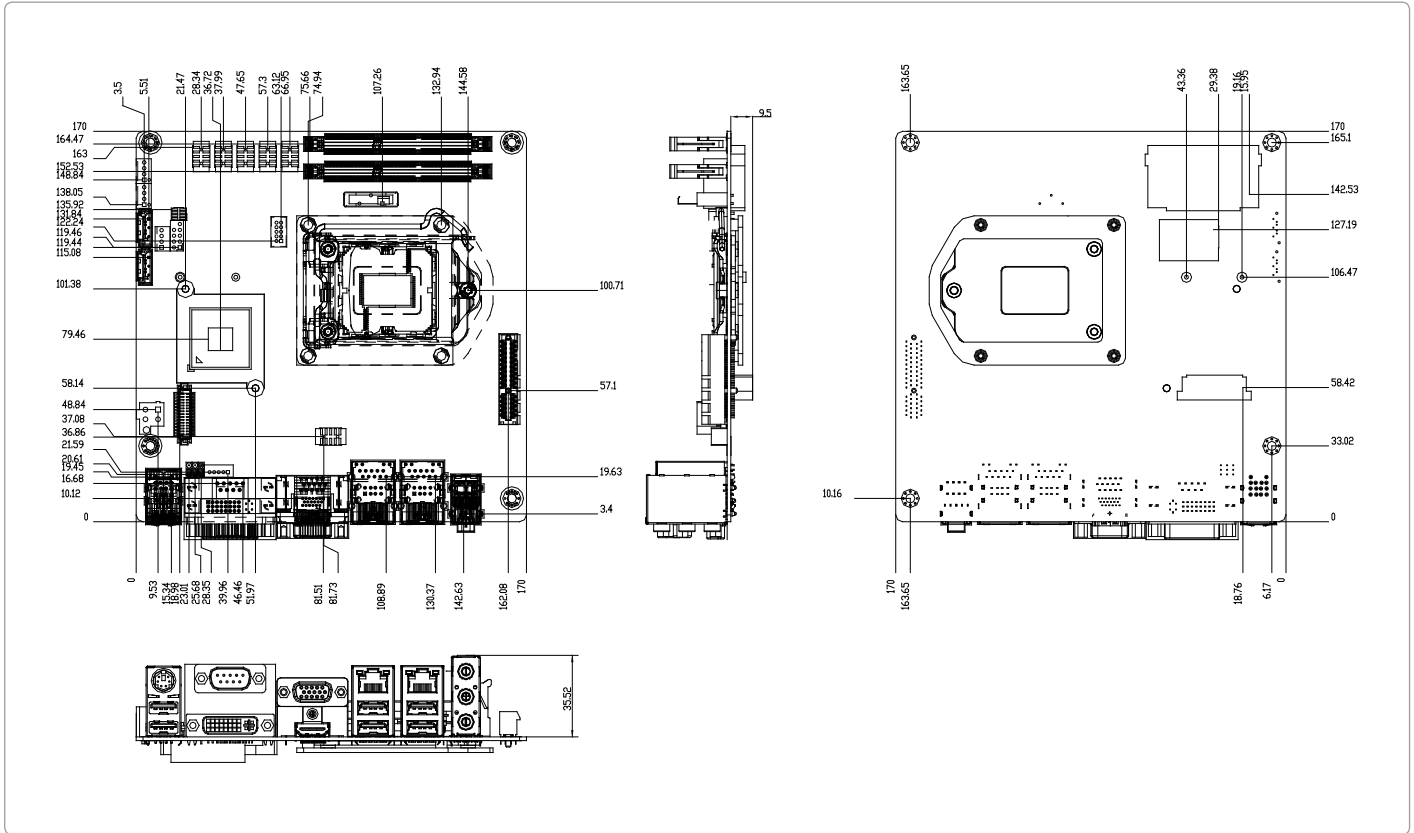
Packing List

- SATA Cable
- SATA Power Cable
- I/O Shield
- Product CD
- EMB-H61A

EMB-H61A

Dimension

Unit: mm



Ordering Information

| Part Number | CPU | RAM | Fan/Fanless | Display | Storage | LVDS | LAN | USB | RS-232 | RS-232/422/485 | Expansion Slot | Power | Temp. |
|--------------|--------|--------|-------------|---------------------|-----------|---------------------|---------|-----|--------|----------------|----------------------------|---------|------------|
| EMB-H61A-A10 | Socket | SODIMM | Fan | VGA/DVI-D/LVDS/HDMI | SATA2 x 2 | 24-bit Dual-channel | GbE x 2 | 8 | 5 | 1 | CF-SATA x 1, PCI-E[x4] x 1 | +12V/DC | 0°C ~ 60°C |

Optional Accessories

- **17592H61A0**

Cooler Fan

- **14D4250003**

Intel® Core™ i3-2100T CPU

- **14D4270001**

Intel® Core™ i5-2390T CPU