

# EmModule-8313



## Intel® Core™ 2 Duo L2400 PC/104-Plus CPU Module



### Features

- **Fanless Design**
- Soldered Onboard Intel® Core™ 2 Duo L2400 Processor
- Dual Channels 24-bit LVDS, and Analog RGB
- Integrated Gigabit Ethernet
- **Wide Range Operating Temp.: -40 ~ 85°C**

### System

<b>CPU</b>	Soldered onboard Intel® Core™ 2 Duo L2400 1.66GHz processor with 667MHz FSB
<b>Memory</b>	1 x 200-pin DDR2 SO-DIMM Socket, supporting 400/533/667MHz SDRAM up to 2GB
<b>Chipset</b>	Intel® 945GME + ICH7M
<b>BIOS</b>	Phoenix-Award PnP Flash BIOS
<b>Watchdog Timer</b>	1~255 levels reset

### I/O

<b>I/O Chip</b>	Primary: Winbond W83627HG Secondary: Winbond W83977
<b>Serial Port</b>	4 x COM ports (3 x RS-232, 1 x RS-232/422/485 selectable)
<b>Parallel Port</b>	SPP/EPP/ECP mode selectable
<b>USB Port</b>	4 x USB 2.0 ports
<b>KB/MS</b>	One 1 x 6 wafer connector for keyboard and mouse
<b>Digital I/O</b>	16-bit programmable Digital Input/Output, 8 in/8 out
<b>Expansion Bus</b>	PC/104-Plus interface

### Storage

	1 x Ultra ATA, supporting 1 IDE device and 1 CF Socket
	2 x Serial ATA ports with 150MB/s HDD transfer rate
	1 x Realtek RTL8110SCL PCI Gigabit Ethernet controller
	1 x Realtek RTL8103EL PCIe 10/100Base-T Ethernet controller

### Ethernet Chipset

### Audio Interface

	Realtek ALC655 6 Channel AC97 Codec, Mic-in/Line-in/Line-out
--	--

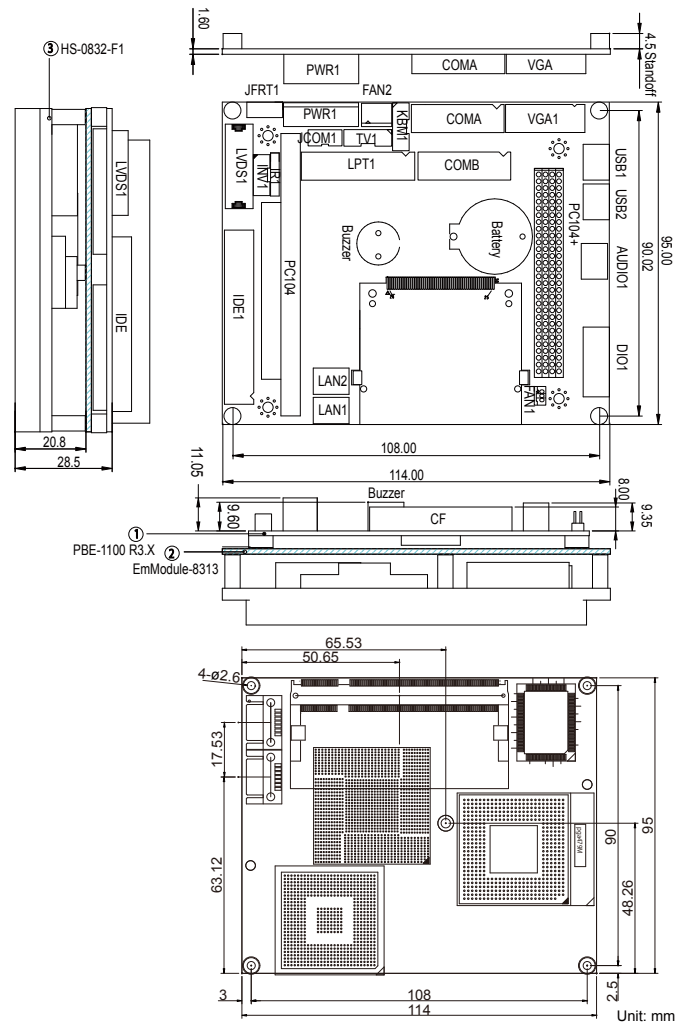
### Display

<b>Graphics Chipset</b>	Integrated Intel® Graphics Media Accelerator 950
<b>Graphics Interface</b>	Analog RGB supports up to 2048 x 1536 @60Hz LCD: Dual channels 24-bit LVDS

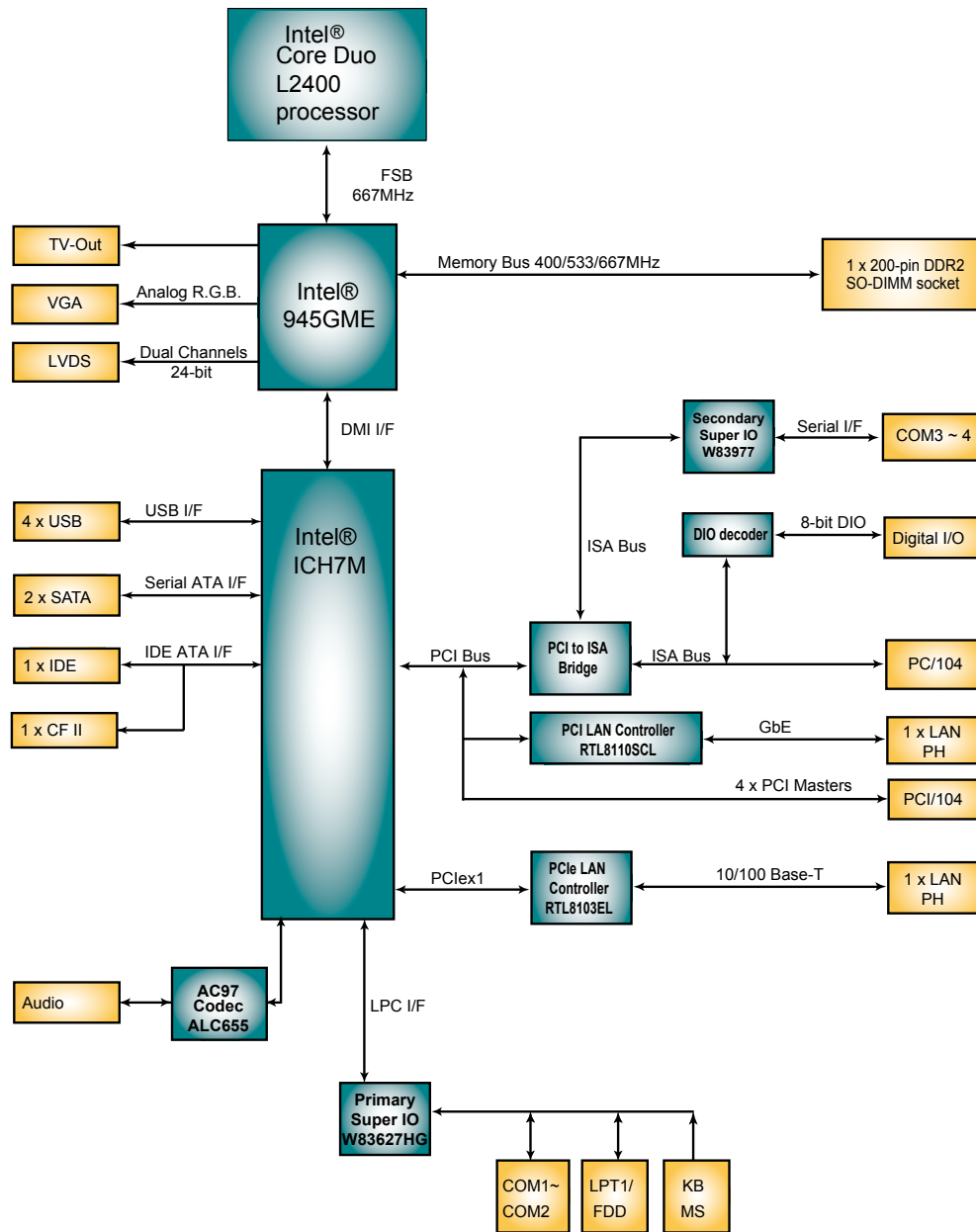
### Mechanical & Environmental

<b>Power Requirement</b>	+5V, +12V
<b>Power Consumption</b>	4.575A@+5V, 0.07A@+12V (Typical)
<b>Operating Temp.</b>	-40 ~ 85°C (-40 ~ 185°F)
<b>Operating Humidity</b>	0 ~ 90% (non-condensing)
<b>Dimension (L x W)</b>	114 x 95 mm (4.5" x 3.7")

### Dimensions



## Block Diagram



## Ordering Information

<b>EmModule-8313-RG/L2400</b>	ETX-832E/L2400 ETX CPU module + ETX carrier board
<b>HS-0832-F1</b>	Heat spreader (114 x 95 x 20.8 mm)
<b>CBK-16-1100-01</b>	Cable kit for PBE-1100 R3.1 1 x Audio cable 2 x USB cables 2 x COM port cables 1 x LPT to FDD cable 1 x IDE cable 1 x LPT cable 2 x Ethernet cables 1 x VGA cable 1 x KB & MS cable 2 x SATA cables 1 x Power cable (4 wires) 1 x Power cable (2 wires)