

A-Line, RPT & RGT Terminal Blocks

Key Features

- Bright-acid tin plating provides corrosion-resistant connections
- High-impact shell for maximum durability
- Polyurethane potting offers insulation-resistance between pairs
- Variety of configurations for installation flexibility

Description

A-Line, RPT and RGT series terminal blocks are made of high-impact plastic, and where applicable, are potted with a high dielectric durable polyurethane compound. All terminal blocks are stubbed with 24-gauge, fully color-coded insulated jacketed stubs, which are either air core or filled.

The A-line terminal blocks are available either backstubbed (RGT), bottom stubbed (RPT), non-stubbed (RGT), protected, or non-protected and in 5, 10, and 25 pairs. The binding posts, nuts, and washers are bright-acid tin-plated for corrosion resistance.

The RPT and RGT series terminal blocks are available back-stubbed (RGT), bottom-stubbed (RPT), non-stubbed (RGT), unprotected, and in 12 or 25-pair configurations. The service wire binding posts are tin-plated brass; nuts and washers are also tin-plated brass.



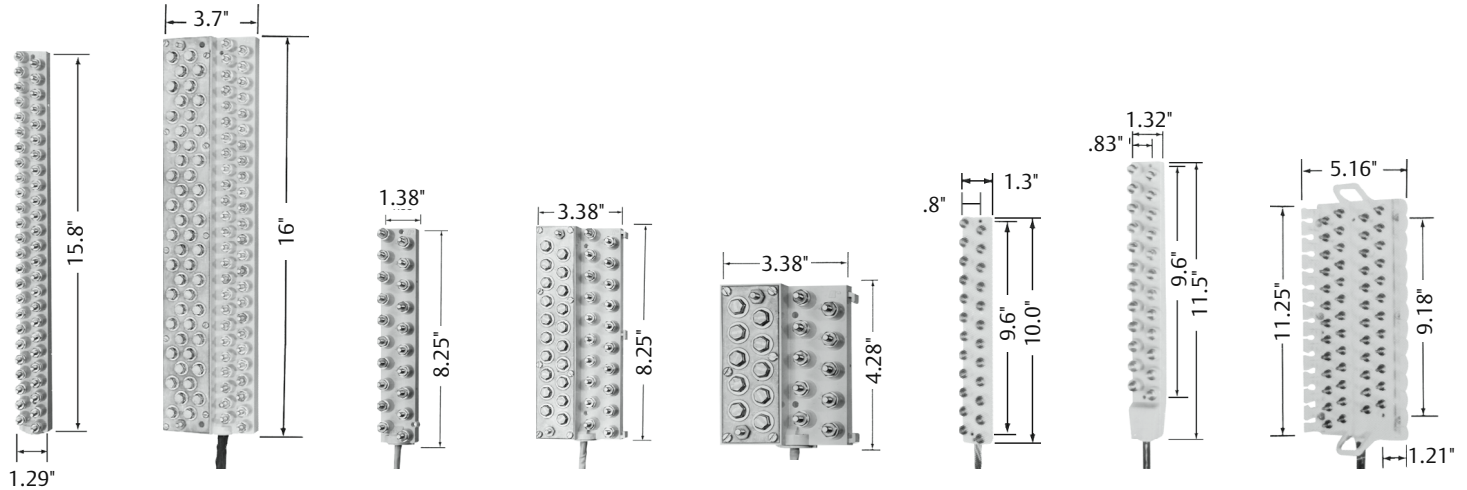
Application

A-Line, RPT and RGT fixed-count terminal blocks are designed specifically for use in outside building terminals and buried cable pedestals and enclosures. The terminal blocks are used in fixed-count applications to accommodate SAC (Serving Area Concept) systems.

Ordering Matrix

Block Style	RGT = Back stub or stubless	RPT = Bottom stub
Pair Count	5 = 5-pair 10 = 10-pair	12 = 12-pair 25 = 25-pair
Protection Type	VSR2 = Gas, Indep, 350-400V	blank = Unprotected
Block Type	A = A-line block	
Cable Type	W = Filled shielded LS = Less stub (stubless)	blank = Air core non-shielded
Stub Length	4 = 4-ft. 12 = 12-ft.	18 = 18-in. 36 = 36-in.

Example: RPT25VSR2A4 = 25-pair gas-protected block with 4-ft. air core cable.
Some configurations may not be available.



RGT25ALS
Fig. 1

RPT25VSR2A4
Fig. 2

RPT10A4
Fig. 3

RPT10VSR2A4
Fig. 4

RPT5VSR2A4
Fig. 5

RGT1236
Fig. 6

RPT12L
Fig. 7

RPT25
Fig. 8

Ordering Information

Catalog Number	Part Number	Description	See Figure*
A-Line Blocks – Bottom Stub			
RPT5VSR2A4	F002549	5-pair gas protected; 4' air core stub	5
RPT10A4	F002683	10-pair unprotected; 4' air core stub	3
RPT10VSR2A4	F002548	10-pair gas protected; 4' air core stub	4
RPT25A4	F002685	25-pair unprotected; 4' air core stub	1
RPT25VSR2A4	F002547	25-pair gas protected; 4' air core stub	2
RPT25AW12	F002738	25-pair gas protected; 12' filled shielded stub	1
A-Line Blocks – Back Stub or Stubless			
RGT10A4	F002754	10-pair unprotected; 4' air core stub	3
RGT10ALS	F002710	10-pair unprotected less stub	3
RGT25ALS	F002695	25-pair unprotected less stub	1
RGT25VSR2A4	F002756	25-pair gas protected; 4' air core stub	2
RGT25A4	F002642	25-pair unprotected; 4' air core stub	1
RGT25VSR2ALS	F002666	25-pair gas protected less stub	2

Catalog Number	Part Number	Description	See Figure*
RGT Blocks – Back Stub or Stubless			
RGT1218	F002658	12-pair unprotected; 18' air core stub	6
RGT1236	F002591	12-pair unprotected; 3' air core stub	6
RGT25LS	F002608	25-pair unprotected less stub	8
RPT Blocks – Bottom Stub			
RPT12L	F002582	12-pair unprotected (narrow body); 4' air core stub	7
RPT25	F002586	25-pair unprotected; 4' air core stub	8

NOTE: For testing equipment, tools, etc. see the Accessories section of this catalog.

EmersonNetworkPower.com/EnergySystems (North America)

EmersonNetworkPower.eu/EnergySystems (EMEA)

© Emerson Network Power Energy Systems North America 2012.

Business-Critical Continuity™, Emerson Network Power™, the Emerson Network Power logo, Emerson® and Consider it Solved are service marks and trademarks of Emerson Electric Co. EnergyMaster™, eSure™, NetPerform™, NetReach™, NetSpan™, NetSure™ and NetXtend™ are trademarks of Emerson Network Power Energy Systems North America.

EMERSON. CONSIDER IT SOLVED.™