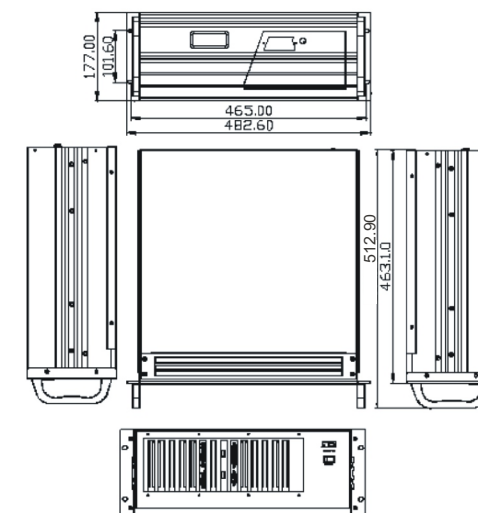
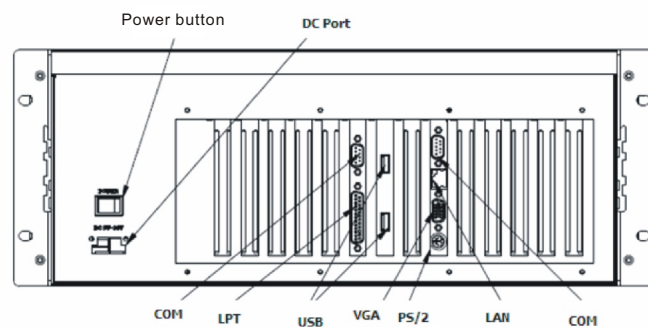
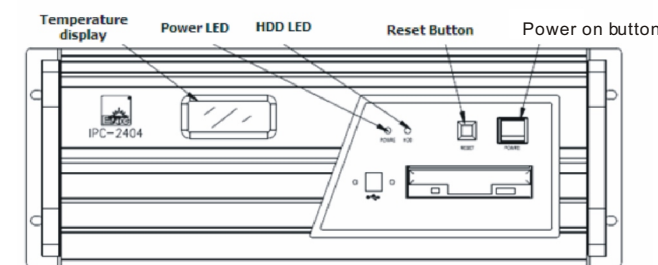


# IPC-2404

Standard 19" 4U Rackmount Industrial PC



## I/O Mechanical Layout/Drawing



## Features

- Onboard low-power Intel® Celeron® M/Pentium® M Processor
- 4 x USB port, 2 x RS-232 serial port, 1 x parallel port
- 1 x 10/100 Mbps LAN port
- Fanless design, supporting 13/14-slot passive backplane
- Real-time temperature monitoring, alarm function
- Supports system one-button recovery

## Mechanical and Environmental

Dimensions	482.6mm(W) x 512.90mm(D) x 177.0mm(H)
Reliability	MTBF ≥ 50000h; MTTR ≤ 0.5h
Safety	GB4943-1.7/2.3/2.9
Operating Temperature	-10°C ~ 55°C
Storage Temperature	-40°C ~ 60°C
Operating Humidity	0%~95%, 40°C non-condensing
<b>Test</b>	
Vibration	5-19Hz/1.2mm amplitude; 19-200Hz/1.2g acceleration
Shock	15g acceleration, 11ms duration
EMC/EMI	Limits of radio disturbance are compliant with GB9254-1998, Class A / Limits of harmonic current are compliant with GB/T17625.1, Class D

## Specifications

<b>Chassis</b>	
Motherboard	It can be equipped with full-size CPU cards
Slot Compatibility	13-slot and 14-slot PCI/ISA backplane compatible
Drive Bay	1 x 3.5" HDD, 1 x 2.5" Floppy
Front Panel	The temperature monitoring and operating status of power supply and HDD can be displayed on the LCD screen on front panel, the safe door has lock for protection
Front I/O	2 x USB2.0
Others	Adopts 2 x anti-vibration clamp
Power Supply	External 9V-30V DC wide-voltage input or 160W AC input via power supply adapter (optional), input: AC 100~240V 50/60Hz, output: DC 12V~24V
<b>Operating System</b>	
Windows OS	Windows 2000/Windows Server 2003/Windows XP
Embedded OS	Linux/XP Embedded/WinCE



## Ordering Information

Part Number	Model Number	Description
0010-001741	IPC-2404-01/PM 1.8G/512M	Complete PC/RoHS: Pentium® M 1.8GHz/512M/160G/1.44M/FSC-1712CLNA -PM1.8G-512M/optional power adapter/IPC-6113LP4
0010-001751	IPC-2404-02/PM 1.4G/512M	Complete PC/RoHS: Pentium® M 1.4G/512M/160G/1.44M/FSC-1712CLNA -PM1.4G-512M/optional power adapter/IPC-6113LP4/IPC-2404
0020-000961	IPC-2404/no power supply/no backplane	Empty chassis/RoHS