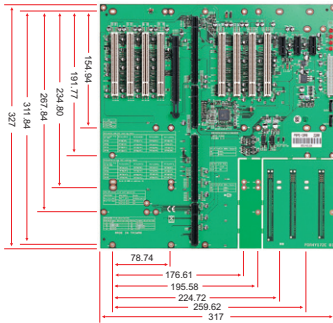
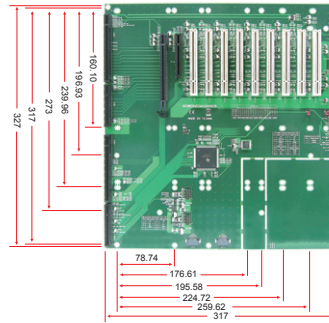


# PICMG Backplane

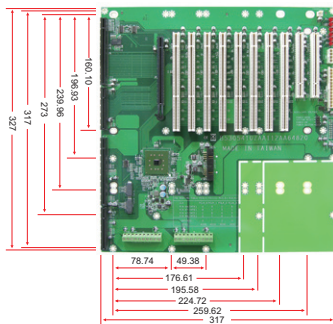
## Non-Server Grade Backplane



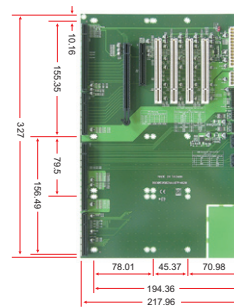
**PBPE-13A8**  
**13-slot [PCI-E x1 (3), PCI-E x16 (1), PCI (8)]**  
 - Fit for 4U chassis  
 - Dedicated to ROBO-8912VG2AR  
 - Four USB ports  
 - Dual SATA ports  
 - 24-pin ESP12V power connector



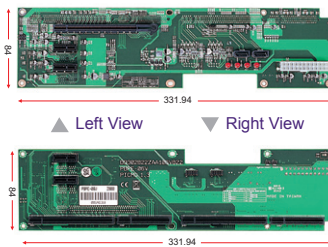
**PBPE-12A9**  
**12-slot [PCI-E x16 (1), PCI-E x8 (1), x4 signal), PCI (9)]**  
 - Fit for 4U chassis  
 - Dedicated to ROBO-8912VG2AR  
 - Four USB ports  
 - Dual SATA ports



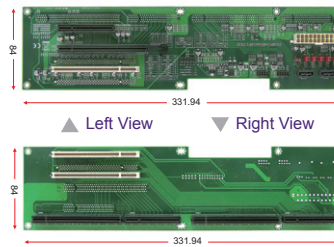
**PBPE-12AA64**  
**12-slot [PCI-X (8), PCI-E x16 (1), PCI (2)]**  
 - Fit for 4U chassis  
 - Dedicated to ROBO-8912VG2AR  
 - Four USB ports  
 - Dual SATA ports  
 - Two PCI-X buses support eight PCI-X expansion slot



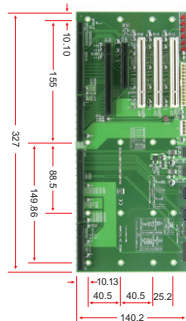
**PBPE-07P4**  
**7-slot [PCI-E x4 (1), PCI-E x16 (1), PCI (4)]**  
 - Fit for Node chassis  
 - Dedicated to ROBO-8912VG2AR  
 - Four USB ports  
 - Dual SATA ports



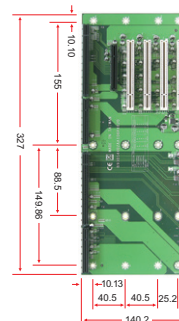
**PBPE-06V**  
**Vertical 6-slot [PCI-E x1 (4), PCI-E x16 (1)]**  
 - Fit for 2U chassis  
 - Dedicated to ROBO-8912VG2AR  
 - Four USB ports  
 - Dual SATA ports  
 - 24-pin ESP 12V power connector



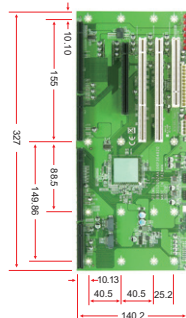
**PBPE-06V3**  
**Vertical 6-slot [PCI-E x4 (1), PCI-E x16 (1), PCI (3)]**  
 - Fit for 2U chassis  
 - Dedicated to ROBO-8912VG2AR  
 - Four USB ports  
 - Dual SATA ports



**PBPE-06P3**  
**6-slot [PCI-E x16 (1), PCI-E x4 (1), PCI (3)]**  
 - Fit for Node chassis  
 - Dedicated to ROBO-8912VG2AR  
 - Four USB ports  
 - Dual SATA ports



**PBPE-06P4**  
**6-slot [PCI-E x8 (1), x4 signal), PCI (4)]**  
 - Fit for Node chassis  
 - Dedicated to ROBO-8912VG2AR  
 - Four USB ports  
 - Dual SATA ports



**PBPE-05A364**  
**5-slot [PCI-E x16 (1), PCI-X (2), PCI (1)]**  
 - Fit for Node chassis  
 - Dedicated to ROBO-8912VG2AR  
 - Four USB ports  
 - Dual SATA ports  
 - Two PCI-X buses support two PCI-X expansion slot