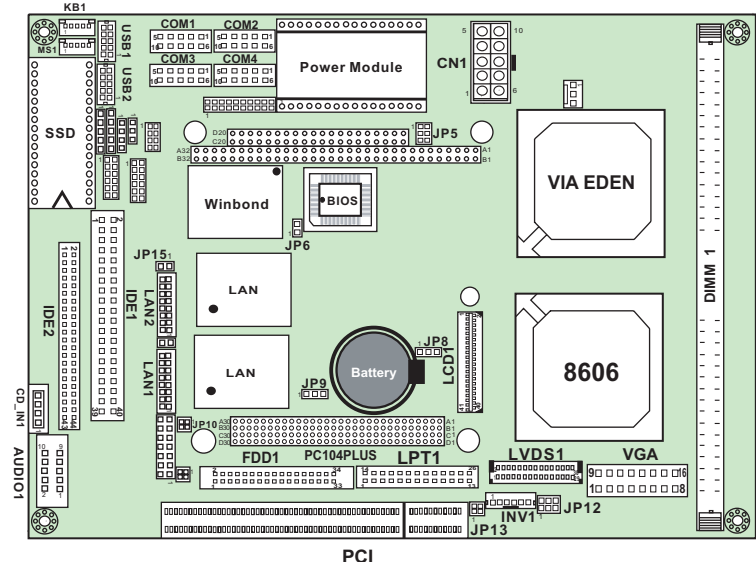


# Prox-L361 *VIA Eden™ LP Embedded Board with VGA/Sound/2LAN*



Specifications	
<b>CPU Type</b>	VIA Eden™ 400/733MHz CPU on board
<b>CPU Voltage</b>	Auto detect
<b>Chipset</b>	VIA 8606, VT82C686B
<b>DRAM</b>	1 x 168-pin DIMM up to 512MB
<b>Cache</b>	Built-in CPU
<b>BIOS</b>	Phoenix-Award PnP BIOS, with VGA BIOS
<b>I/O Chipset</b>	Winbond 83977EF
<b>IDE Interface</b>	2 x EIDE (UDMA-100/133)
<b>FDD Interface</b>	1
<b>Serial Port</b>	4 x powered serials, COM2 for RS232/422/485
<b>Parallel Port</b>	1 x parallel (SPP/EPP/ECP)
<b>Watchdog</b>	16 level Watchdog Timer selectable w/ Reset/NMI
<b>CMOS</b>	Built-in VIA VT82C686B
<b>Keyboard</b>	5-pin header with mini DIN cable
<b>Mouse</b>	5-pin header with mini DIN cable (selectable w/ KB/Y-cable)
<b>Speaker</b>	Internal buzzer
<b>IrDA</b>	1 x IrDA (SIR)
<b>LAN</b>	Dual ports, supports Wake-on-LAN with ATX power LAN1: Realtek RTL8110C, 10/100 Base-TX Ethernet, LAN2: RTL8110C 10/100 Ethernet or RTL811XB (10/100/1G)
<b>Sound</b>	AC '97 Codec

<b>VGA</b>	Built-in VIA VT8606, supports CRT, TTL (18/24 bit), LVDS (18/36 bit), & backlight control with 6-pin wafer
<b>SSD</b>	32-pin socket supports DOC up to 288MB
<b>USB</b>	4 x USB 1.1
<b>Bus Interface</b>	1 x PCI, 1 x Compact Flash, 1 x PC/104, & 1 x PC/104+ Bus
<b>Power Supply</b>	Support AT/ATX power
<b>Power Requirement</b>	+5V, +12V (optional for 5V only)
<b>Hardware Monitor</b>	Voltage, CPU temp. & cooling fan
<b>Green Function</b>	Controlled by hardware & software
Mechanical and Environment	
<b>Operation Temp.</b>	0°C ~ 60°C, 32°F ~ 140°F
<b>Storage Temp.</b>	-40°C ~ 85°C, -40°F ~ 185°F
<b>Humidity</b>	20~90%
<b>Vibration</b>	2.5g acceleration over 5 to 2000Hz sine wave(p-p), 1 oct/min sine sweep
<b>Shock</b>	30g, 11 msec duration, half-sine shock pulse
<b>Dimension</b>	203mm x 146mm, 7.99" x 5.75"
<b>Certificate: CE, FCC CLASS A</b>	
ORDERING INFORMATION	
<b>Prox-L361/400 with Eden 400 CPU/VGA/Sound/2LAN</b>	
<b>Prox-L361/733 with Eden 733 CPU/VGA/Sound/2LAN</b>	

## PERFORMANCE & POWER CONSUMPTION

CPU Type	3D Mark 2001 SE Build 330	PC Mark 2002	Power Consumption +5V / +12V
VIA Eden™ 733MHz	TBA	TBA	TBA
VIA Eden™ 800MHz	TBA	TBA	TBA

All of trademarks and brand names are the property of their owners. Trademark "Protech" is the property of Protech Systems Co., Ltd. All information contained in this document is subject to change without any prior notice. This catalog is copyrighted in Feb. 2004.