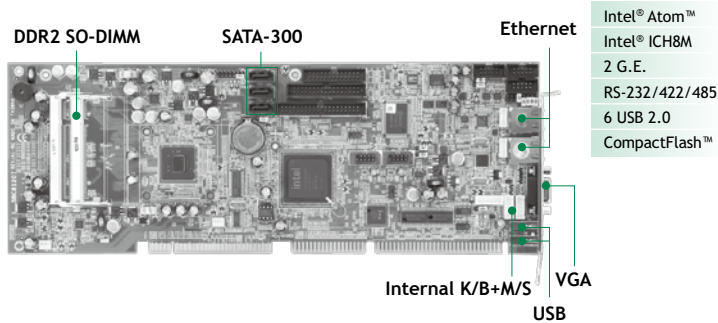


# SBC81207

Intel® Atom™ N450/D410/D510 PICMG 1.0 Full-size CPU Card with Intel® ICH8M Chipset, VGA, 2 LANs and Audio



## Features



- Intel® Atom™ processor N450/D510/D410 1.66 GHz
- Intel® ICH8M + ITE8888G chipset
- 2 DDR2 SO-DIMM supports up to 2GB memory capacity
- ISA with up to 500mA high drive supported

## System

CPU	Intel® Atom™ processor N450/D410 1.66 GHz single core & D510 1.66 GHz dual core onboard
System Memory	2 x 200-pin SO-DIMM supports DDR2-667/800 max up to 2GB (N450 supports DDR2-667 max. up to 2GB)
Chipset	Intel® ICH8M+ITE8888G
BIOS	AMI
SSD	1 x CompactFlash™ (optional)
Watchdog Timer	255 levels, 1-255 sec.
Expansion Interface	4 x 32-bit PCI bus master 16-bit ISA bus
Battery	Lithium 3V/220 mAH
Size	338 x 122 mm
Temperature	0° C - +60° C (32° F - 140° F), operation
Operation Humidity	10% - 95% relative humidity, non-condensing

## I/O

MIO	1 x IDE; PATA-100 1 x FDD 1 x PS/2 keyboard 1 x PS/2 mouse 1 x LPT; with SPP/EPP/ECP supported 1 x RS-232 (COM 1) 1 x RS-232/422/485 (COM 2)
SATA	3 x SATA-300
Hardware Monitoring	Detect CPU/system temperature, voltage and support Smart Fan control
Ethernet	1 <sup>st</sup> port as 10/100/1000Mbps supports Wake-on-LAN, RPL/PXE Boot ROM with Intel® 82567V 2 <sup>nd</sup> port as 10/100/1000Mbps supports Wake-on-LAN, RPL/PXE Boot ROM with Realtek RTL8111DL
Audio	HD Codec audio as MIC-in/Line-in/Line-out/speaker-out with Realtek ALC662
USB	6 x USB 2.0 ports
SMBus	N/A

## Display

Chipset	Intel® GMA 3150 graphics Core
Memory Size	Intel® DVMT 4.0 compliant
Display Interface	1 x VGA

## Packing List

Standard		
Quick installation guide, user's manual/utility CD, cable		
Cable		
Part Number	Description	SBC81207VGA Qty
59380502000E	COM + Print cable w/ bracket	1
593826A0000E	SATA signal cable 500mm	1

## Ordering Information

Standard	
SBC81207VGA-N450	Intel® Atom™ N450 PICMG 1.0 full-size CPU card with VGA, 2 10/100/1000Mbps and audio
SBC81207VGA-D510	Intel® Atom™ D510 PICMG 1.0 full-size CPU card with VGA, 2 10/100/1000Mbps and audio
SBC81207VGA-D410	Intel® Atom™ D410 PICMG 1.0 full-size CPU card with VGA, 2 10/100/1000Mbps and audio