

Features

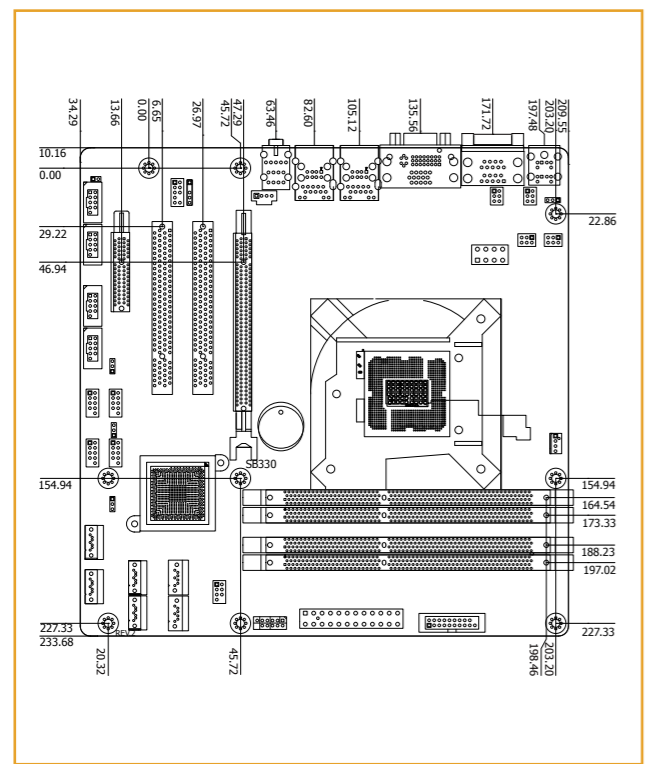
CHIPSET	Intel® Q67 PCH
CPU	Intel® Core™ i7/i5/i3 Intel® Pentium®
MEMORY	4 DDR3 DIMM up to 32GB
EXPANSION	1 PCIe x16, 1 PCIe x4, 2 PCI
DISPLAY OUTPUTS	1 DVI-I (DVI-D signal), 1 VGA
LAN	2 Gigabit LAN
COM	6 COM
USB	12 USB 2.0
SATA	6 SATA (2 SATA 3.0, 4 SATA 2.0)
DIO	8-bit DIO

Specifications

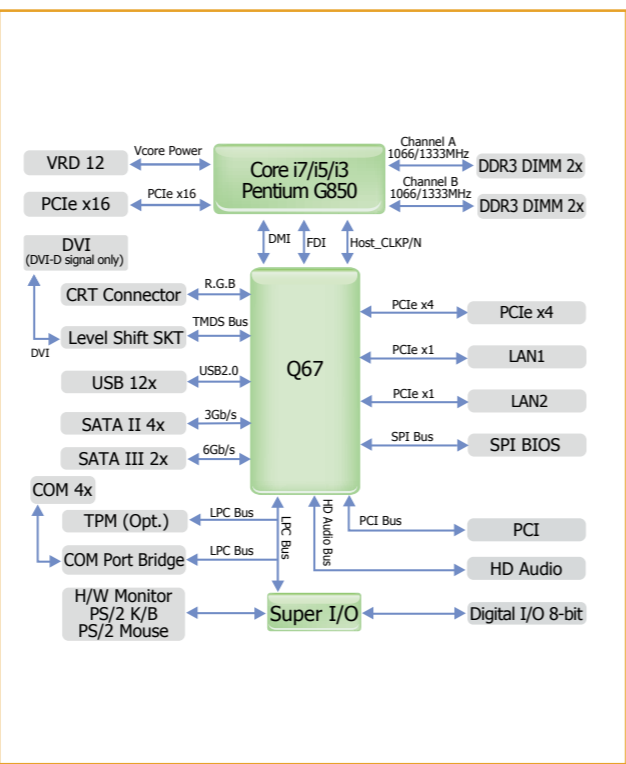
- PROCESSOR**
- LGA 1155 socket for:
 - Intel® Core™ i7-2600 (3.4GHz, 95W)
 - Intel® Core™ i5-2400 (3.1GHz, 95W)
 - Intel® Core™ i3-2120 (3.3GHz, 65W)
 - Intel® Pentium® G850
 - New microarchitecture on 32nm process technology
 - Intel® Advanced Vector Extensions (Intel® AVX) Instructions
 - Intel® Turbo Boost Technology
- CHIPSET**
- Intel® Q67 PCH (Platform Controller Hub)
- SYSTEM MEMORY**
- Four 240-pin DDR3 DIMM sockets
 - Supports DDR3 1066/1333MHz
 - Supports dual channel memory interface
 - Supports up to 32GB system memory
 - DRAM device technologies: 1Gb, 2Gb and 4Gb DDR3 DRAM technologies are supported for x8 and x16 devices, unbuffered, non-ECC
- EXPANSION SLOTS**
- 1 PCI Express Gen 2 x16 slot (PCIe 2.0)
 - 1 PCI Express x4 slot (PCIe 2.0)
 - 2 PCI slots (PCI 2.3)
- ONBOARD GRAPHICS FEATURES**
- Intel® HD Graphics
 - Display ports: DVI-I (DVI-D signal) and VGA
 - DVI-I supports up to 1920x1200 @ 60Hz resolution
 - VGA supports up to 2048x1536 @ 75Hz resolution
 - Supports 6 Graphics Execution Units (EUs)
 - Intel® Clear Video Technology
 - DirectX Video Acceleration (DXVA) support for accelerating video processing

- TRUSTED PLATFORM MODULE (TPM) - optional**
- Provides a Trusted PC for secure transactions
 - Provides software license protection, enforcement and password protection
- REAR PANEL I/O PORTS**
- 1 mini-DIN-6 PS/2 mouse port
 - 1 mini-DIN-6 PS/2 keyboard port
 - 2 DB-9 serial ports
 - Supports RS232/422/485 (RS232 and/or Power)
 - 1 DB-15 VGA port
 - 1 DVI-I port (DVI-D signal)
 - 2 RJ45 LAN ports
 - 4 USB 2.0/1.1 ports
 - Mic-in, line-in and line out jacks
- I/O CONNECTORS**
- 4 connectors for 8 external USB 2.0/1.1 ports
 - 4 connectors for 4 external RS232 serial ports
 - 1 8-bit Digital I/O connector
 - 1 front audio connector for line-out and mic-in jacks
 - 1 CD-in connector
 - 1 S/PDIF connector
 - 6 Serial ATA ports
 - 1 24-pin ATX power connector
 - 1 8-pin 12V power connector
 - 1 chassis intrusion connector
 - 1 front panel connector
 - 2 fan connectors
- BIOS**
- AMI BIOS
 - 64Mbit SPI BIOS
- ENERGY EFFICIENT DESIGN**
- Supports ErP Lot6 power saving (optional)
 - Supports ACPI
 - System Power Management
 - Wake-On-Events include:
 - Wake-On-PS/2 KB/Mouse
 - Wake-On-USB KB/Mouse
 - Wake-On-LAN
 - RTC timer to power-on the system
 - CPU stopped clock control
 - AC power failure recovery

Mechanical Drawing



Block Diagram



- ONBOARD AUDIO FEATURES**
- Realtek ALC262 2-channel High Definition Audio
 - High performance DACs with 100dB SNR
 - ADCs with 90dB SNR
 - Two stereo DACs support 24-bit PCM format for stereo audio playback
 - Three stereo ADCs support 20-bit PCM format for multiple input streaming
 - S/PDIF audio interface
- ONBOARD LAN FEATURES**
- Intel® 82579LM with iAMT7.0 Gigabit Ethernet Phy
 - Realtek RTL8111DL PCI Express Gigabit Ethernet controller
 - Integrated 10/100/1000 transceiver
 - Fully compliant with IEEE 802.3, IEEE 802.3u, IEEE 802.3ab
 - Supports wire management
- SERIAL ATA (SATA) INTERFACE**
- 6 Serial ATA ports
 - 4 SATA 2.0 ports with data transfer rate up to 3Gb/s (SATA port 4 provides adequate space for SATA DOM)
 - 2 SATA 3.0 ports with data transfer rate up to 6Gb/s
 - Integrated Advanced Host Controller Interface (AHCI) controller
 - Supports RAID 0/1/5/10
- INTEL ACTIVE MANAGEMENT TECHNOLOGY (AMT)**
- Supports iAMT7.0
 - Out-of-band system access
 - Remote troubleshooting and recovery
 - Hardware-based agent presence checking
 - Proactive alerting
 - Remote hardware and software asset tracking

Packing List

- 1 SB330-CRM motherboard
- 2 Serial ATA data cables
- 2 Serial ATA power cables
- 2 USB cables
- 1 COM port cable
- 1 I/O shield
- 1 DVD
- 1 QR (Quick Reference)

Optional Items

- USB port cable
- COM port cable
- Serial ATA data cable
- Serial ATA power cable
- PS/2 Keyboard/Mouse cable