

BPD-9208

8.4" Panel Display Module with Touch Screen, 12V DC Adapter

Panel PC



Environmental Operating Temperature

0°~50°C

Humidity

80% maximum

Storage

Temperature: -20°~60°C/-4°~140°F

Humidity: 95% maximum

Dimension (LxHxW)

27.0 x 21.0 x 5.2 cm

Cut Out Size (LxH)

23.4 x 17.4 cm

System

LCD Technology

Active matrix TFT color LCD
8.4" diagonal screen size
800 x 600 addressable pixels
0.213 mm x 0.213 mm Pixel Pitch
250 cd/m² (typ.) Brightness
600:1 (typ.) Contrast Ratio
Tr+Tf: 30ms (typ.)
H/V: 160°/140°CR≥10 Viewing Angle

Display Resolution

800 pixels (H) x 600 lines (V)

Touch Panel

5-wire resistive Type with USB interface connector

Active Display Area

170.4 (H) x 127.8 (V) mm

Displayable Color

26.2K colors

Horizontal Scan

31.5kHz to 60kHz

Vertical Refresh

56Hz to 75Hz

Pixel Frequency

50MHz

Compatibility

IBM & VESA VGA: 640 x 350, 70Hz, 640 x 400, 70Hz,
720 x 400, 70Hz, 640 x 480, 60Hz
VESA VGA: 640 x 480, 72/75Hz
VESA SVGA: 800 x 600, 56/60/72/75Hz

Input Signal

Analog RGB 0.7 Vp-p

Auto-Adjustment

Yes

I/O Connectors

DC IN
VGA in D-sub 15-pin DVI (option)
USB

User Controls

Power On/Off Button
External Auto-Adjustment
OSD Control items: Auto Tune, Auto Contrast,
Brightness, Contrast, H Position, V Position, Detail
Adjust, Color Temperature, OSD Setup, Image Setting,
Recall

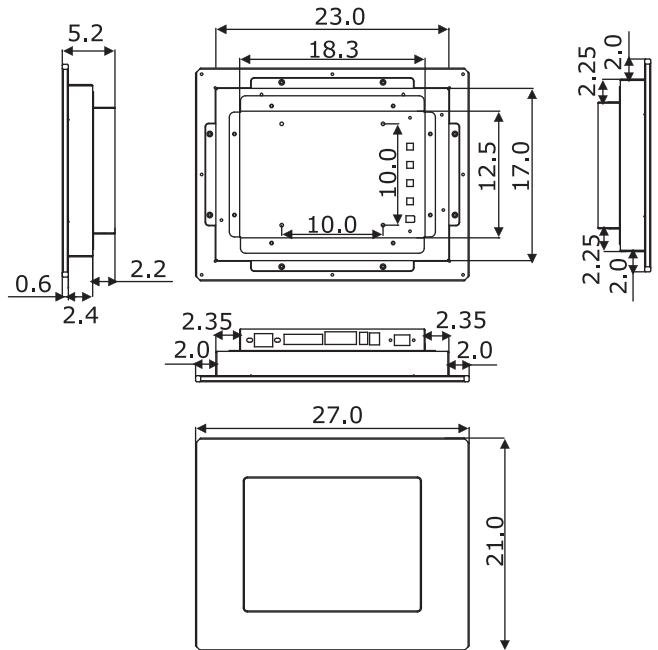
Power Saving

VESA DPMS standard (4 mode)

Power Consumption

12 watt (max.), < 3 watt (stand by mode)

Dimensions (unit:cm)



Ordering Information

BPD-9208

8.4" Panel Display Module w/Touch Screen, 12V DC Adapter

OPD-9208

8.4" Open Frame Panel Display Module w/Touch Screen, 12V DC Adapter