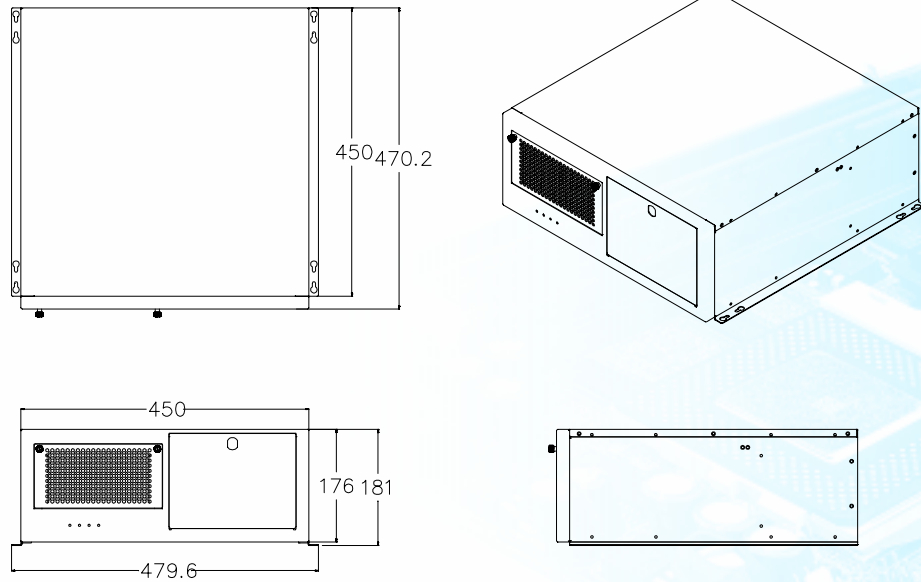


■ Features

- Rugged steel construction
- Wallmount / benchtop-mount brackets included
- One external 3.5", three external 5.25" and one internal 3.5" drive bays
- Removable drive bay module
- Lockable access door covers drives and power switch for security protection
- Two 8cm DF cooling fans (38.6CFM x 2)
- Front accessible two cooling fans with removable dust filter
- Supports PS/2, ATX and redundant power supplies
- Models available:
 - IAC-CM07AX supports ATX motherboard and up to 7 full-size cards
 - IAC-CM08A supports 8-slot backplane and 8 full-size cards
 - IAC-CM10A supports 10-slot backplane and 10 full-size cards
- Ideal for industrial automation, process control, telecom, computer telephony, remote terminal, etc...



■ Mechanical Drawings



■ Physical & Environmental Specifications

- Dimension (HxWxD): 176 x 450 x 470 mm (6.9" x 17.7" x 18.5") excluding mounting brackets
- Weight: 10.9 kgs (24 lbs)
- Color: Black
- Operating Temperature: 0°C to 50°C (32°F to 122°F)
- Relative Humidity: 5% to 95%, non-condensing
- Altitude: 0 to 10,000ft (3,000m)
- Vibration: 1.5G Max and 0.1" p-p at 5 to 500Hz
- Shock: 10G peak acceleration (10m/sec)
- Safety: Meets UL, CSA, and TUV
- EMI: FCC Class A and CE

■ Ordering Information

Model	Backplane/Motherboard Options	Power Supply Options
IAC-CM07AX Wallmount Chassis for ATX Motherboard	MB-X63 : Dual Socket370 M/B with AGP video, dual 10/100 Ethernet, audio & 6 PCI slots MB-X61A : Socket370 M/B with CRT/LCD video, dual 10/100 Ethernet, 6 ISA, 1 PCI & AGP slots TF-586VM : Socket7 M/B with PCI video and 2 PCI & 6 ISA slots ATX and MicroATX Motherboard	TOP-230SS : 230W PS/2 TOP-250SS : 250W PS/2 TOP-300SS : 300W PS/2 TOP-400SS : 400W PS/2 TC-250A : 250W ATX TC-300A : 300W ATX TC-350A : 350W ATX TC-400A : 400W ATX
IAC-CM08A Wallmount Chassis for 8-slot backplane	AP-SL08 : 8 ISA AP-PSL08 : 1 PICMG + 3 PCI + 4 ISA	BPS-270RD : 250W Redundant PS/2 BPS-270RDX : 250W Redundant ATX BPS-320RD : 300W Redundant PS/2 BPS-320RDX : 300W Redundant ATX
IAC-CM10A Wallmount Chassis for 10-slot backplane	AP-SL10 : 10 ISA AP-PSL10 : 1 PICMG + 4 PCI + 5 ISA	Please call for DC/DC power supply

