

**NEW**

# SA45-312X

45 WATTS



## SA45-312x • Adaptor Series

Total Power	45 Watts
Input Voltages	90 - 264 VAC
# of Outputs	Single

### SPECIAL FEATURES

- CE Mark
- Universal AC input
- Miniature size
- Fully regulated output
- Overload and short circuit protection
- Constant voltage/current
- High efficiency
- High MTBF
- IEC320 AC receptacle, 2 pin (type C8)
- Built in EMI filter (CISPR 22 Class B)
- IEC801-2, -4, -5

### ENVIRONMENTAL

Operating temperature:  
0°C to +40°C ambient

Storage temperature:  
-10°C to +70°C

MTBF: >100,000 hours at full load and 25°C ambient conditions

Product may vary slightly from photo.

### ELECTRICAL SPECIFICATIONS

#### Input

Input range ..... 90 - 264 VAC (wide range)  
 Frequency ..... 47 - 63 Hz  
 Input current ..... 1.2A rms @ 90 VAC; 0.5A @ 264VAC  
 Efficiency ..... >80% @ full load, 115VAC (DC Conversion)  
 EMI/RFI ..... EN55022 Curve B, FCC Part 15, Subpart B Class B.

#### Output

Voltage (Vo) ..... 16V, 18V or 24V  
 Voltage regulation ..... ± 5% @ constant voltage mode  
 Current limit ..... ± 5% @ constant current mode  
 Maximum Power (Po) ..... 45W  
 Hold-up time ..... 5 ms. typical at full load @ 115VAC  
 Protection ..... Over Voltage Protection (OVP), AC recycle  
 Short circuit protection: output short circuit (<0.03 ohm), auto recovery  
 Cable/connector ..... DC cable with 2.5mm center plug, barrel type DC plug center +Ve; DC plug outer -Ve

### SAFETY

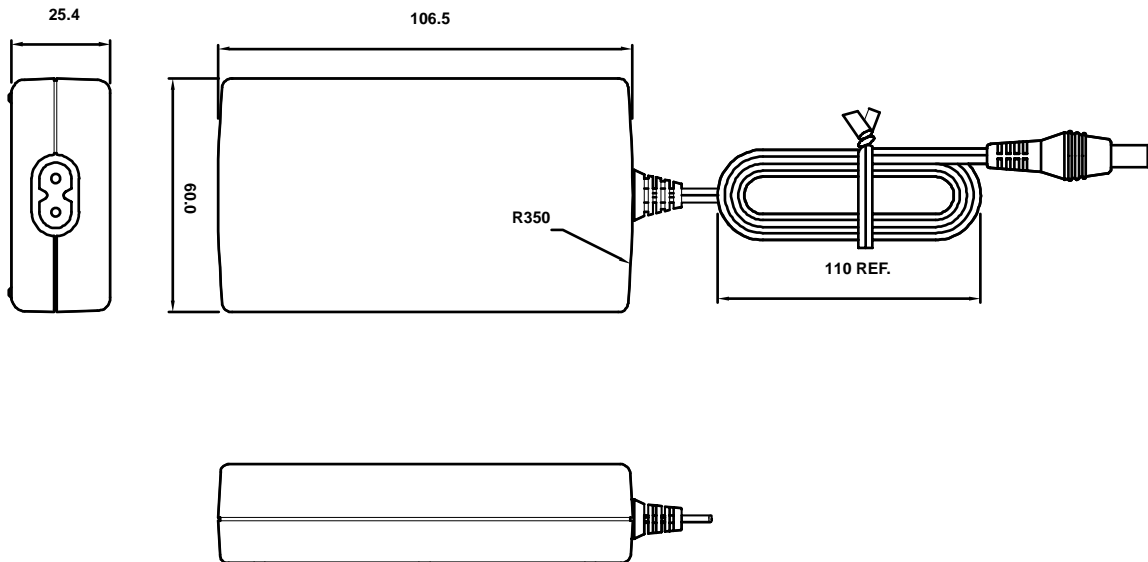
		SA45-3123	SA45-3124	SA45-3129
UL	1950	E132002	E132002	E132002
CSA	22.2 No.234	LR53982C	LR53982C	LR53982C
ERG-GS	(GS/77.00)	/0408/9703	/0284/9610	/0265/9608
NEMKO	P97100686	P97100686	P96102693	P96102291
MITI		91-53393	91-53577	91-53577
CB		3501	3006	2853
IEC	950			
EN	60950 / with Nordic deviation			
CE	EMC & LVD			

## ORDERING INFORMATION

Model	Power Max	Vo	CV/CC <sup>2</sup>	Io min	Io max	Ripple P/P (PARD) <sup>1</sup>	OVP max
SA45-3123	45W	16V	CV/CC	0 A	2.8 A	160 mV	22.6V
SA45-3124	45W	18V	CV only	0 A	2.5 A	180 mV	26.0V
SA45-3129	45W	24V	CV/CC	0 A	1.87 A	240 mV	32.0V

1. Peak-to-peak with 20 MHz bandwidth and 10  $\mu$ F in parallel with a 0.1  $\mu$ F capacitor.
2. CV - Constant Voltage  
 CC - Constant Current

## DIMENSIONS



## NOTES

1. Specification subject to change without notice.
2. All dimensions are in inches (mm).
3. Warranty: 1 year
4. Weight: 0.56 lb / 0.25 Kg