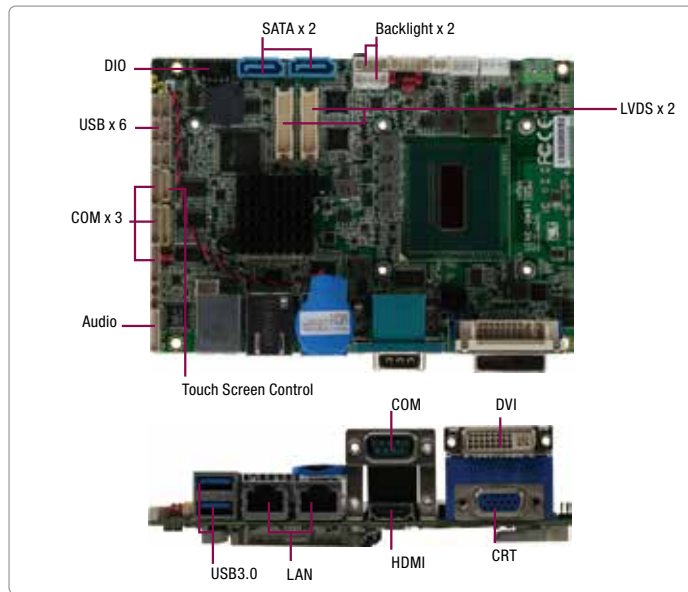


GENE-QM87

3.5" SubCompact Board with Onboard Intel® 4th Generation Core™ i5-4402E Mobile Processor

03

SubCompact Boards



Features

- Onboard Intel® 4th Generation Core™ i5-4402E Processor
- Intel® QM87
- SODIMM DDR3L 1333/1600, Max. 8 GB
- Gigabit Ethernet x 2, RJ-45 x 2
- CRT, DVI, 18/24-bit Dual-Channel LVDS LCD x 2, HDMI
- 2CH HD Audio
- SATA 6.0Gb/s x 2 (Optional RAID), CFast™ x 1
- USB3.0 x 2, USB2.0 x 6, COM x 4, 8-bit Digital I/O
- Mini Card x 1
- +12V Only Operation
- Supports iAMT with Intel® QM87
- Onboard 4/5/8-wire Resistive Touch Screen Controller
- AAEON Hi-Safe/SDK/Utility Supported
- mSATA x 1 (Optional, Would Replace Mini Card by Jumper Setting)

Specifications

System	
Form Factor	3.5"
Processor	Onboard Intel® 4th Generation Core™ i5-4402E Processor
System Memory	204-pin SODIMM DDR3L, Max. 8 GB x 1
Chipset	Intel® QM87
I/O Chipset	Fintek F81866D
Ethernet	Intel® I211AT & I217LM, 10/100/1000Base-TX, RJ-45 x 2
BIOS	AMI BIOS - 16MB SPI Flash
Wake on LAN	Yes
Watchdog Timer	Generates a time-out system reset
H/W Status Monitoring	Supports power supply voltages and temperature monitoring
Expansion Interface	Mini Card x 1, LPC
Trusted Platform Module (TPM)	Infineon SLB 9635TT 1.2
Battery	Lithium battery
Power Requirement	+12V, AT/ATX
Power Consumption (Typical)	—
Board Size	5.75" x 4" (146mm x 101.6mm)
Gross Weight	0.88 lb (0.4 kg)
Operating Temperature	32°F ~ 140°F (0°C ~ 60°C)
Storage Temperature	-40°F ~ 176°F (-40°C ~ 80°C)
Operating Humidity	0% ~ 90% R/H, non-condensing
MTBF (Hours)	—
Display	
	Supports CRT/LCD, HDMI/LCD simultaneous/ dual view displays
Chipset	Intel® CPU integrated
Memory	Shared system memory up to 512MB
Resolutions	Up to 2048 x 1536 for CRT, up to 1920 x 1200 for LCD, HDMI, DVI
LCD Interface	Up to 24-bit dual-channel LVDS x 2
HDMI	HDMI x 1
DVI	DVI x 1
I/O	
Storage	SATA 6.0Gb/s x 2, CFast™ x 1
Serial Port	RS-232 x 3, RS-232/422/485 (auto flow) x 1
USB	USB3.0 x 2, USB2.0 x 6
PS/2 Port	Keyboard x 1, Mouse x 1
Digital I/O	Supports 8-bit (Programmable)
Audio	Line-in, Line-out, Mic-in
Touch Screen	Support 4/5/8-wire resistive touch screen

• Note: All specifications are subject to change without notice.



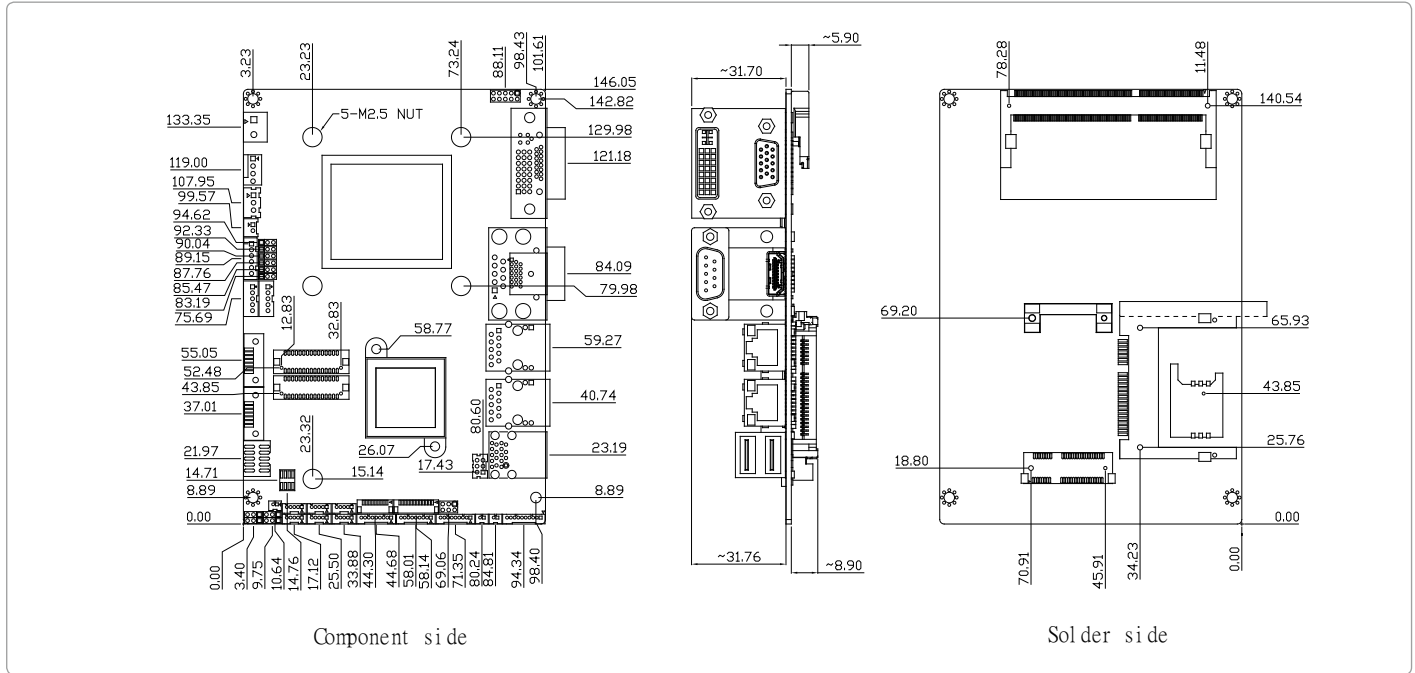
Packing List

- 170204010R
Power Cable
- Product DVD
- GENE-QM87 with Active Cooler

GENE-QM87

Dimension

Unit: mm



Ordering Information

Part Number	CPU	Chipset	Fan/Fanless	Display	LVDS	Storage	LAN	USB	RS-232	RS-232/422/485	Expansion Slot	Power	Temp
TF-GENE-QM87-A10	Intel® Core™ i5-4402E	Intel® QM87	FAN	CRT + LVDS CRT + DVI CRT + HDMI DVI + LVDS DVI + HDMI LVDS + HDMI LVDS + LVDS	1st 18/24-bit, 2CH LVDS 2nd 18/24-bit, 2CH LVDS	SATA x 2, CFast™ x 1	GbE x 2	USB3.0 x 2 USB2.0 x 6	3	1	Mini Card x 1	+12V, AT/ATX	0°C – 60°C

Optional Accessories

- **1709100208**
USB Cable, Length 20cm
- **1701090150**
COM Port Cable, Length 15cm
- **1709100254**
Audio Cable, Length 25cm
- **1702150155**
Power Cable for 2.5" SATA Hard Disk, Length 15cm
- **1709070500**
SATA Cable, Length 50cm
- **1700060157**
Keyboard/Mouse Cable