

DATA SHEET
SPECIFICATIONS
**MODEL #5177
AC GENERATOR SYSTEM
1.2 KW - 29,500 RPM**
GENERATOR

VOLTAGE:	22 VOLTS LINE-TO-LINE
PHASE:	SIX
FREQUENCY:	1025 TO 1465 HERTZ
POWER FACTOR:	0.95 LAG TO UNITY
SPEED RANGE:	20,510 TO 29,300 RPM
OVERSPEED:	35,000 RPM FOR 5 MINUTES
EFFICIENCY:	84% AT RATED LOAD
COOLING:	2.5 LBS/MIN @ 193°F
AMBIENT:	-65°F TO 220°F
WEIGHT:	9.2 LBS

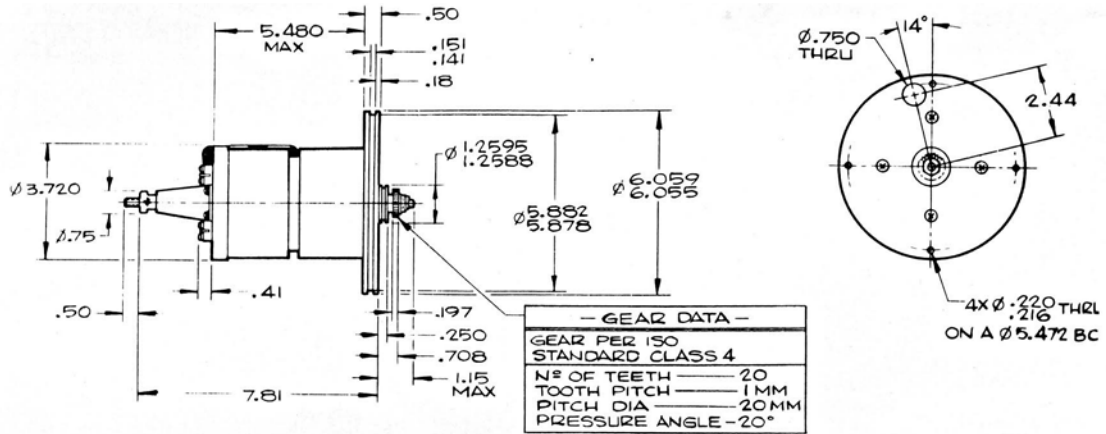

DESCRIPTION

Model 5177 is a two bearing self-contained 6 phase homopolar inductor generator designed for minimum ripple. The separate Power Conditioning Unit (PCU) contains a parallel bridge rectifier and a field-control voltage regulator. The generator is adapted to a small 700 pound thrust turbine engine used in an aerial unmanned target vehicle.

POWER CONDITIONING UNIT (PCU)

OUTPUT:	1.2 KW
VOLTAGE:	28 VDC \pm 2 VDC
RIPPLE:	2 VOLTS PEAK
COOLING:	0.8 LBS/MIN @ 193°F
COMPLIANCE:	MIL-STD-704

OUTLINE DETAILS



GENERATOR

