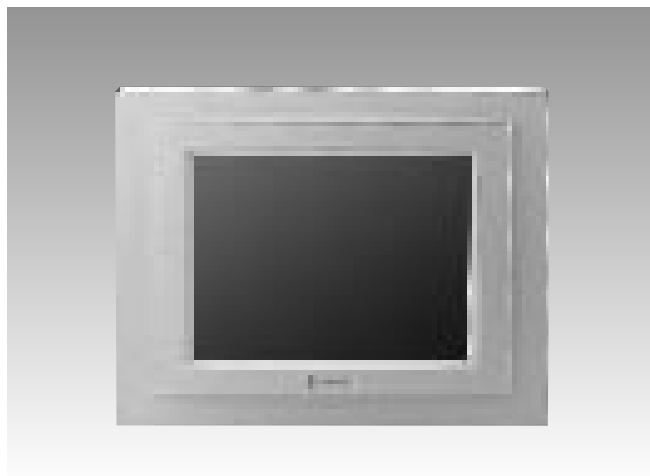


PPC-105T

GX1 300 based Fanless Panel PC with 10" Color TFT LCD & Optional Touchscreen



Features

- 10" TFT SVGA LCD
- AMD Geode™ GX1 300 MHz CPU on board
- System memory up to 128 MB SDRAM (64 MB default built-in)
- One internal CompactFlash™ Type I socket (True IDE Mode)
- Optional PCI/ISA expansion kit
- 10/100Base-T Ethernet
- Fanless and low-power design
- External IDE/FDD connectors

Introduction

The PPC-105T fanless Panel PC supports the low power AMD Geode GX1 300 MHz processor. It is a powerful and compact Panel PC ideally suited for operator interface (HMI) applications. Its 10" 800 x 600 SVGA display, onboard 16-bit SoundBlaster™ compatible audio controller, 128 MB SDRAM capacity and auto-sensing 10/100Base-T Ethernet controller makes it the ideal choice for many applications. For example, thin clients, health care and other networked environments, in addition to traditional process control and

Specifications

- **CPU** Onboard NS Geode. GX1 300 MHz
- **Memory** One 144 pin SODIMM socket up to 128 MB SDRAM. Standard is built-in 64 MB
- **2nd Cache Memory** On-die 16 KB
- **Chipset** AMD CX 5530
- **BIOS** Award 256 KB Flash BIOS
- **SSD** Supports one internal compactFlash Type I socket. (True IDE mode)
- **HDD** One internal 2.5" drive and one external IDE connector
- **FDD** External FDD connector x 1
- **CD-ROM Drive** External IDE connector x 1
- **Watchdog Timer** 62-level, 1 ~ 62 seconds
- **Bus Expansion** One optional PCI/ISA slot
- **Dimensions (W x H x D)** 342 x 265 x 92.4 mm (13.5" x 10.4" x 3.64")
- **Weight** 3.2 kg (7.1 lbs)

Complete I/O Ports

- **FDD** Supports one 1.2/1.44/2.88 MB external floppy disk drive
- **HDD** Supports two EIDE ports (one internal/one external)
- **Serial Ports** RS-232 x 3, one RS-232/422/485 x 1
- **Parallel Port** One SPP/EPP/ECP port
- **Keyboard/Mouse Port** PS/2 interface
- **VGA** Supports simultaneous CRT displays
- **Sound** Mic-in/Line-out

Environmental Specifications

- **Operating Temperature** 0 ~ 40° C (32 ~ 104° F)
- **Relative Humidity** 10 ~ 95% @ 40° C (non-condensing)
- **Shock (Operating)** 10 G peak acceleration (11 ms. duration)
- **EMC** CE, FCC Class B
- **Safety** UL, CE
- **Front Panel Protection** IP 65/NEMA 4 compliant

LCD Display (Anti-Glare Treated)

- **LCD Type** 10" color SVGA TFT LCD
- **Resolution/Colors** 800 x 600 @ 256 K
- **Pixel Pitch (mm)** 0.25 x 0.25
- **Luminance (cd/m²)** 170
- **Viewing Angle** 100°
- **VR Adjustment** Yes
- **Simultaneous Mode** Yes
- **LCD Lifetime** 50,000 hrs.
- **Backlight MTBF** 20,000 hrs (min.)

Power Supply

AC model

- **Output Rating** 60 W
- **Input Voltage** 100 ~ 240 V_{AC} @ 50/60 Hz, autoranging
- **Output Voltage** +5 V @ 5 A, +12 V @ 3 A

DC model (24V DC)

- **Output Rating** 75 W
- **Input Voltage** 18 V_{DC} ~ 36 V_{DC}, typical 24 V_{DC}, 4.2 A max
- **Output Voltage** +5 V @ 8 A, +12 V @ 2.5 A

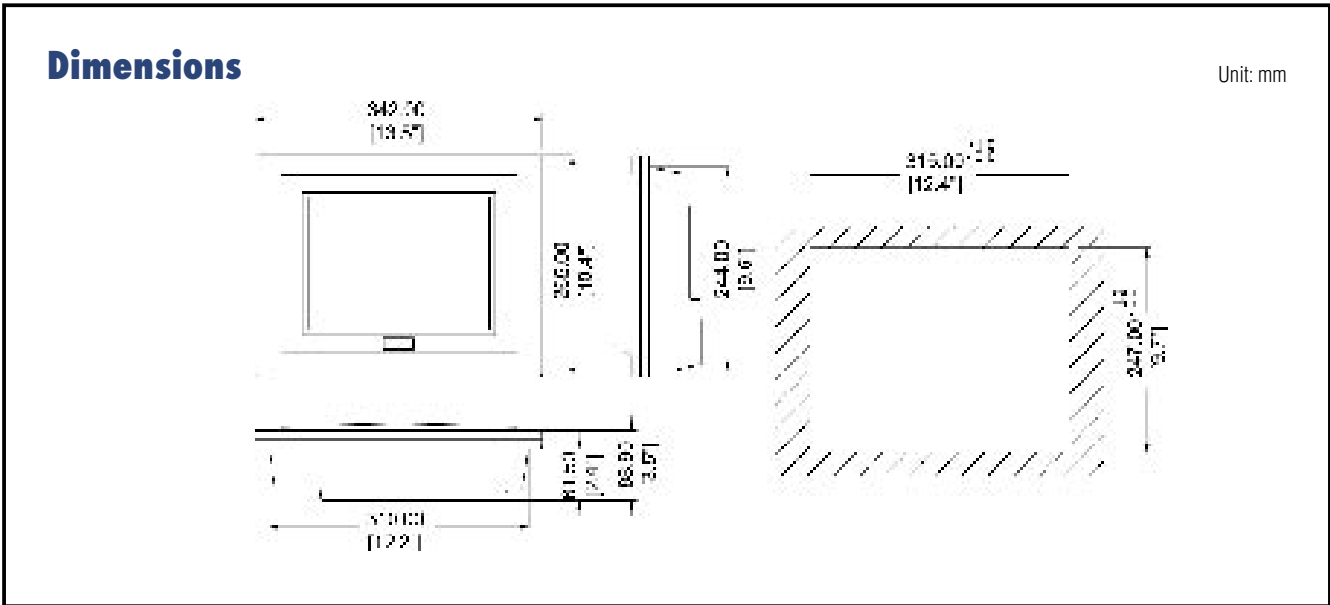
DC model (12V DC for option)

- **Output Rating** 65 W
- **Input Voltage** 9.5 V_{DC} ~ 18 V_{DC}, typical 12 V_{DC}, 6.8 A max
- **Output Voltage** +5 V @ 7 A, +12 V @ 2 A

Touchscreen (optional)

- **Type** Analog resistive, continuous resolution
- **Light Transmission** 75%
- **Controller** RS-232 interface (COM 4)
- **Software Driver** Supports Windows® 95, 98, NT
- **Lifetime** 30 million touches

- 1**
General Purpose Panel Computers
- 2**
Open-frame Panel Computers
- 3**
Medical Computing Platforms
- 4**
Smart Home Networking Platforms



Ordering Information

- **PPC-105T** **Bare BOM: PPC-105T-BARE**
 Panel PC with 10" TFT SVGA LCD display, NS GX1 300 MHz CPU and 64 MB SDRAM on-board

Bare BOM: PPC-105DC-BARE
 PPC-105T with 24V_{DC} power supply (12 V_{DC} is optional) with resistive touchscreen
- **PPC-105T-RT** **Bare BOM: PPC-105T-BARE-T**
 PPC-105T with resistive touchscreen

Bare BOM : PPC-105DC-BAR-T
 PPC-105T-RT with 24 V_{DC} power supply (12 V_{DC} is optional)
- **PPC-100 Stand** Stand kit for the PPC-100/102/103/105 series
- **PPC-100 SWINGARM** Swing arm kit for the PPC-100/103/105 series
- **PPC-100 WALL-MT** Wall mount kit for the PPC-100/103/105 series
- **PPC-EXP-105** PCI/ISA expansion kit for PPC-105T

industrial automation.

Feature Details

Various applications use the PPC-105T

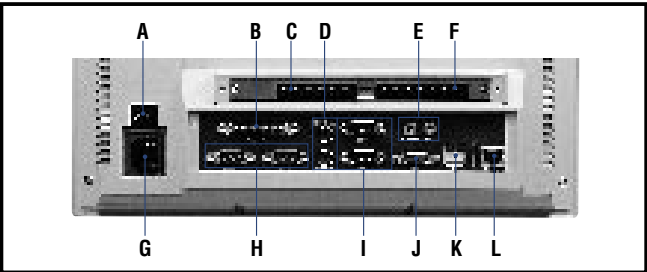
The PPC-105T's back panel I/O and integrated all-in-one single board computer make it the ideal choice to control a dedicated system in a wide variety of applications. Applications include:

- Control or data entry operator interfaces
- Information management and retrieval terminals
- Entertainment management systems
- Point of sale (POS) terminals
- Banking/office automation

Slim and compact PC terminal with LCD

The PPC-105T is the most versatile 10" LCD PC available. The slim chassis fits anywhere and can be mounted in several different configurations. It can be panel mounted, wall mounted or placed upright on a desktop. Integrating the PPC-105T into a custom

Fully-Integrated I/O



- A. Power switch
- B. Parallel port
- C. FDD port
- D. PS/2 mouse & keyboard
- E. Mic-in/Line-out
- F. IDE port
- G. AC inlet
- H. COM ports
- I. COM ports
- J. VGA port
- K. USB ports
- L. Ethernet