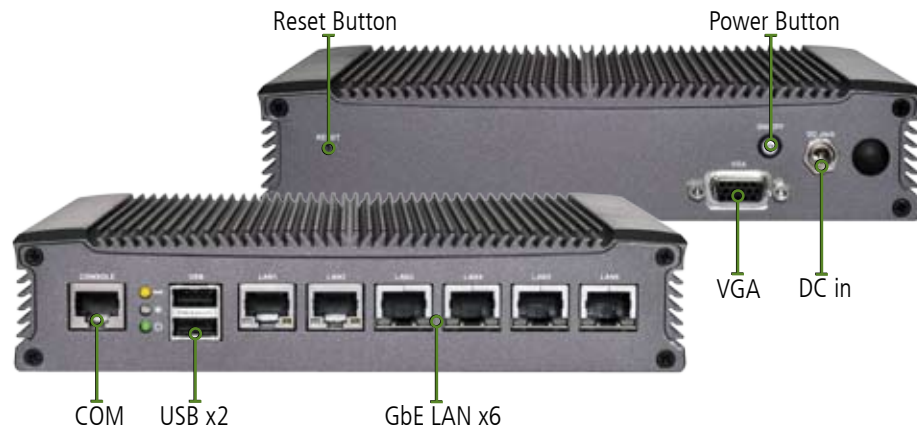


LEC-2126

Fanless Industrial PC with Dual Core Intel Atom D510



Features

Intel® Atom™ D510

Dual core Intel Atom D510 features 1.66GHz clock speed and a 512KB cache. It utilizes 13W of power.

Easily opened chassis

The bottom cover can be opened by unscrewing, allowing fast installation or replacement of the internal CF, HDD, memory and Mini-PCIe devices.

Fanless

This IPC's lifespan has been extended by removing the most easily damaged component, the fan.

Intel network controllers

The appliance uses top-of-the-line Intel NICs giving the customer the benefits of quality design and thorough engineering.

Integrated SIM card reader

Integrated in a mini-PCIe slot, the SIM card readers allow for users to enable 3G use for their IPC.

Dust proof design

Solid chassis design with a fanless interior allows for this product to be completely dustproof when installed correctly, insuring longevity of the product.

Integrated SIM card reader

Integrated in a mini-PCIe slot, the SIM card readers allow for users to enable 3G use for their IPC.

Screw-locked power plug

This power plug is made to screw directly into the appliance chassis, allowing secure power connection in even the harshest of settings.

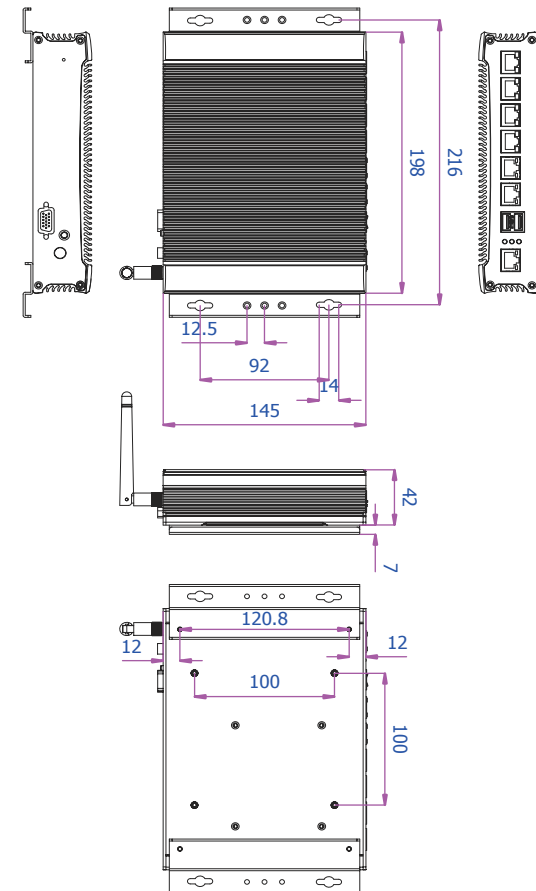
VGA display port

This platform comes with a VGA display port to allow easy integration with any signage set-up.

LED indicators

LED indicators makes it easy to check working status.

Dimensions 198 x 42 x 145mm (7.80" x 1.65" x 5.71")



Specifications

Dimensions (WxHxD)		198x42x145mm (7.80" x 1.65" x 5.71")	
Processor		Intel ATOM D510 1.66GHz	
Chipset		Intel ICH8M	
System Memory	Technology	DDR2 SODIMM x1	
	Max. Capacity	Up to 2GB	
Storage	IDE	CF socket Type I/II x1	
	SATA	2.5" SSD/HDD drive bay x1	
Ethernet Controller		Intel 82574L x1 Intel 82583V x5	
Graphic Controller		Intel Integrated Graphics Media Accelerator 3150	
Audio Controller		No	
IO	LAN	GbE RJ45 x6	
	Display	DB15 x1 for VGA (2048 x 1536)	
	Video Grabber	No	
	Audio	No	
	Serial I/O	RJ-45 x1 for RS-232 as console port Internal Pin-header for RS-232 x1	
	GPS	No	
	Digital I/O	No	
	USB 2.0	Type A x2; Internal x2	
	Power Input	DC Jack with Lock	
	Expansion	Mini-PCIe x1 (with SIM card reader)	
	Others	External: Power-On Button, SMA Antenna Hole x1, Reset Internal: PS/2 Keyboard & Mouse, +5Vdc output, LCM module connector	
	Power Input	+12Vdc +/-5% with ATX Mode	
	AC Adapter	60W +12V @ 5A	
Hardware Monitor	Winbond W82327THG integrated Watchdog Time 1~255 level		
OS Support	Linux, XPE/WES2009, XP Pro FES, WS7E, WS7P, Win 7 Pro FES		
Certifications	CE, FCC Class A		
Compliance	No		
Operating Temperature Range	With Industrial Components	0~40°C / 32~104°F	
	With Commercial Components	0~40°C / 32~104°F	

Ordering Information

LEC-2126	Intel Dual Core Atom D510 1.66GHz CPU, w/ 6x RJ45 Intel GbE Ports, One Console Port, VGA Display, +12V DC Input, suitable for machine vision solutions.
----------	---

Standard Accessories

080W1N2201001	SATA SSD / HDD cable w/ power
0P0W060120001	AC Adapter 60W 12V/2.5A, DC Jack w/ Lock

Optional Power Cords

080W240318306	US Power Cord
080W240318305	Schuko (EU) Power Cord
080W240318301	UK Power Cord
080W240318307	China Power Cord
080W240318309	Japan Power Cord

Optional Mounting Brackets

VESA Mount	PE9ESA8300100
RACK Mount	PE9ESA8310100
DIN Rail Mount	090W405000001

Optional Accessories

0TAWMC8790Z01	3G Module: Sierra MC8790
0TAW0EM770Z01	3G Module: HuaWei EM770W (**MOQ 200)
0TAWE34600Z01	3G Module: Novatel E346 (**MOQ 50)
0TAWQ802XKZ02	Wi-Fi Module: 802.11 b/g/n Mini-PCIe card