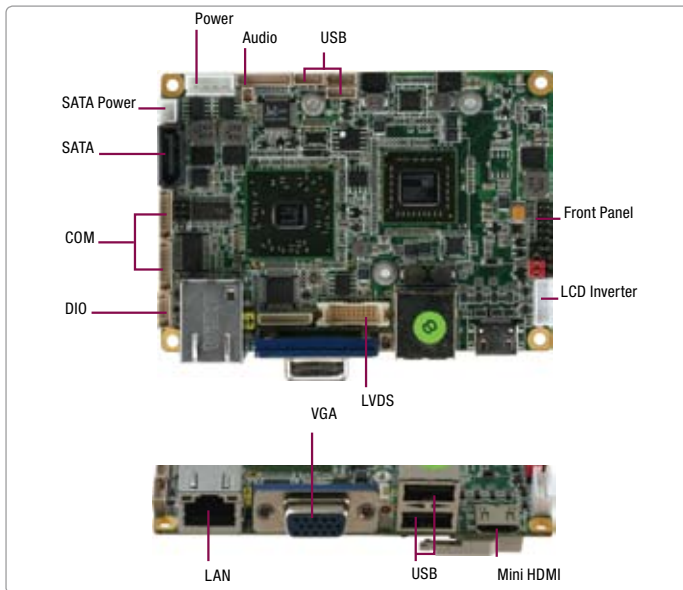


PICO-HD01

PICO-ITX Fanless Board With HDMI and AMD G-Series T40E/T40R Processor

05

PICO-ITX Boards



Features

- Onboard AMD G-Series T40R/T40E Single/Dual Processor
- AMD G-Series CPU + A50M
- 204-pin SODIMM DDR3 1066MHz up to 4GB
- Gigabit Ethernet x 1, RJ-45 x 1
- CRT, 18-bit Single Channel LVDS, Mini HDMI
- 2CH HD Audio
- SATA 3.0Gb/s x 1, mSATA (Half-Size) Slot x 1 (Shared with Mini Card)
- USB 2.0 x 5, COM x 2, 4-bit Digital I/O
- +12V Operating

Specifications



System	
Form Factor	PICO-ITX Board
Processor	AMD G-Series 1GHz T40E Dual Core or 1GHz T40R Single Core
System Memory	204-pin SODIMM DDR3 1066MHz up to 4GB x 1
Chipset	AMD G-Series +A50M
I/O Chipset	Fintek F81801U-I
Ethernet	Realtek 8111E for 10/1000/1000Base-TX, RJ-45 x 1
BIOS	AMI-32Mb ROM
Wake On LAN	Yes
Watchdog Timer	Programmable 255 level System Reset
H/W Status Monitoring	Vcore, +1.5V_DDR
Expansion Interface	Mini Card(Half size), 4-bit DIO
Battery	Lithium battery
Power Requirement	+12V, AT/ATX (default)
Power Consumption (Typical)	AMD G-Series T40E 1GHz, DDR3 1066MHz 4GB, 1.02A @ +12V
Board Size	3.94"(L) x 2.756"(W) (100mm x 72mm)
Gross Weight	1.2 lb (0.5 Kg)
Operation Temperature	32°F ~ 140°F (0°C ~ 60°C)
Storage Temperature	-40°F ~ 176°F (-40°C ~ 80°C)
Operation Humidity	0% ~ 90% relative humidity, non-condensing
MTBF (Hours)	89,000
Display	
Chipset	AMD G-Series + A50M
Resolution	LVDS up to 1366 x 768 (18 bit) @ 60Hz; VGA & HDMI up to 1920 x 1200 @ 60Hz
LCD Interface	18-bit single channel LVDS with PWM function
I/O	
Storage	SATA x 1, mSATA x 1 (Shared with Mini Card control by BIOS)
Serial Port	RS-232 x 1, RS-232/422/485 x 1 (Internal Pin-Header X 2)
Parallel Port	—
USB	USB 2.0 x 5
PS/2 Port	—
Digital I/O	Digital I/O 4-bit Digital I/O (Programmable, 2-in/2-out)
Audio	Audio Buzzer x 1, HD Audio Code (Realtek ALC662) for Line-in/out & Mic x 1

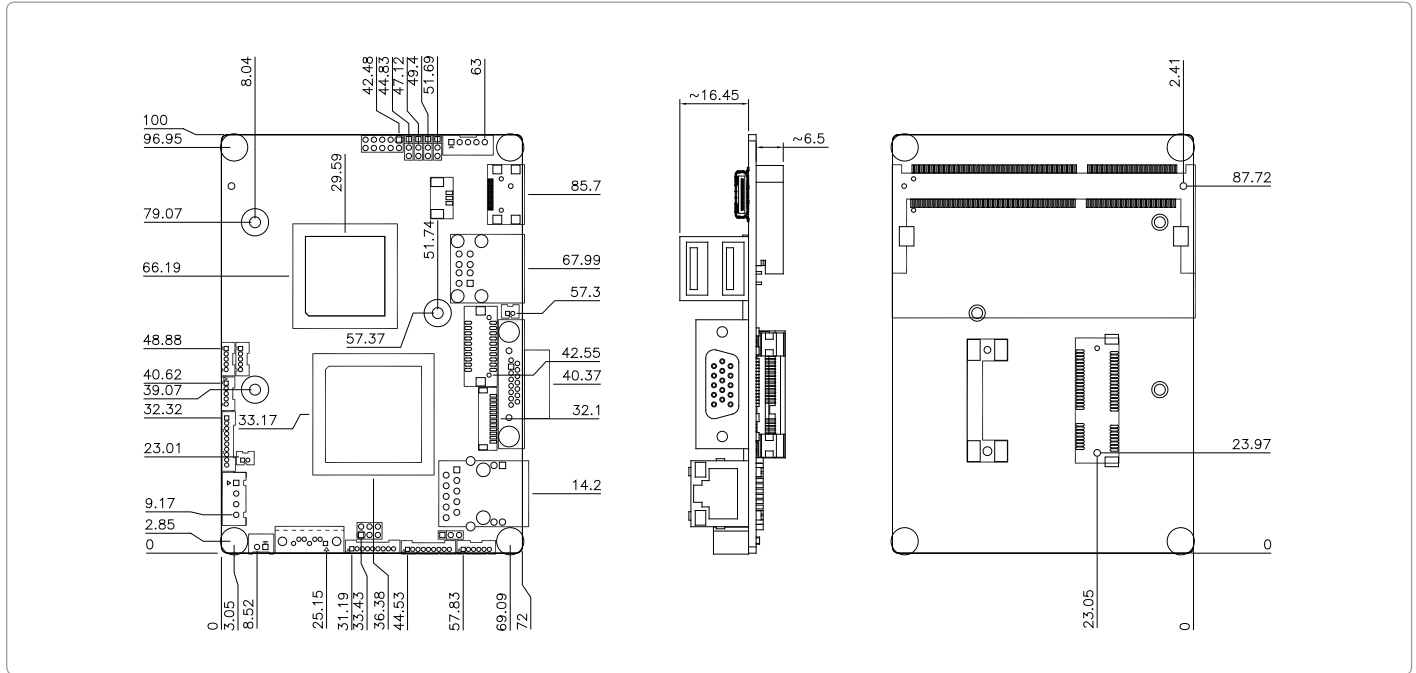
Packing List

- 170204010S
MB Power Cable
- 1709070500
SATA data Cable
- 1702150155
SATA Power Cable
- 9657666600
Jumper Cap
- Product CD
- PICO-HD01 w/Heatsink

PICO-HD01

Dimension

Unit: mm



Ordering Information

Part Number	CPU	Fan/ Fanless	Display Combination	Storage	LVDS	LAN	USB	RS-232	RS-232/422/485	Expansion Slot	Power	Temp.
PICO-HD01-A10	T40E Dual Core	Fanless	CRT + LVDS, CRT + HDMI	SATA x 1	18b,1CH	GbE x 1	5	1	1	Mini Card x 1 or mSATA (Half size)	+12V, AT/ATX	0°C ~ 60°C
PICO-HD01-A10-01	T40R Single Core	Fanless	CRT + LVDS, CRT + HDMI	SATA x 1	18b,1CH	GbE x 1	5	1	1	Mini Card x 1 or mSATA (Half size)	+12V, AT/ATX	0°C ~ 60°C

Optional Accessories

- **1700050207**
USB Cable, Length 20cm
- **1701090150**
COM1 Cable, Length 15cm
- **1709100254**
AUDIO Cable, Length 25cm
- **1701100156**
Front Panel Cable, Length 15cm
- **1701090150**
COM 2 Cable For RS-232, Length 15cm
- **170302010C**
Buzzer Cable