

AWS-9124

Modular Workstation with Celeron™ CPU
12.1" LCD & 4 expansion slots



Features

- Built-in Celeron 400 MHz lower power CPU
- 12.1" SVGA TFT LCD display
- One built-in Ethernet, 2 USB and 4 COM port
- Two cartridge type HDD housing
- HDD support with Mirror disk function
- Front accessible FDD, USB and PS/2 connectors
- Chassis can be extended to fit in full-size card
- Easy to detach/maintain display
- Front accessible OSD
- Stainless steel chassis and NEMA4/IP65-compliant front panel
- Panel, desktop or Wallmount

Introduction

The AWS-9124 series is a newly designed 4 slot, 12" TFT LCD Modular Workstation. It includes 3 pieces in one system: A Removable LCD Panel, Expandable Chassis Box, and a Mirror-disk cart cage. The removable LCD panel has features that include a front panel film that 100% protects the display from oil, water and dust exposure. Removing only a few screws allows easy maintenance of the LCD module. An Additional two front USB ports give programmers or field engineers easy access to upload and download application programs. The 4-slot chassis can be expanded to accommodate both half-size or full-size cards without any extra mechanical modifications to the chassis design. The unique 2 HDD cart cage provides high end users with the mirror disk function, plus allows copying of all crucial system data or production lot information. Optional DC24 V/48 V power supplies offer flexibility for different project needs. The AWS-9124 series are the best choice for applications that demand frequent data access, quick repair or maintenance and high information protection like semiconductor manufacturing, GUI, molding and machine centers, etc.

Specifications

- **CPU:** Onboard Intel low power Celeron™ 400 MHz processor
- **BIOS:** 2 Mbit Flash BIOS, supports Plug & Play, APM 1.2, boot from USB
- **Watchdog timer:** 62 levels timer interval
- **Chipset:** Intel 440BX
- **System Memory:** One SDRAM SODIMM, max. 256 MB
- **HDD:** supports two 2.5" HDDs with Mirror disk function
- **FDD:** One front accessible slim 3.5" drive
- **Network (LAN):** 10/100Base-T Ethernet interface
- **I/O ports:**
 - 4 serial ports: three RS-232, one RS-232/422/485
 - 2 front accessible USB ports
 - 1 parallel port
 - 1 front accessible PS/2 keyboard/mouse port

- **Slots:** 4 slots, including 1 PCI, 1 ISA and 2 PCI/ISA shared
- **Card size (LxH):** 185 x 122 mm (chassis not expanded)
338 x 122 mm (chassis expanded)
- **Front panel:** Industrial plastic molding meets NEMA4/IP65
- **Construction:** Heavy-duty stainless steel chassis
- **Weight:** 15 kg (33 lbs)
- **Cooling system:** One CFM (flow-in) fan
- **Dimensions (W x H x D):** 342 x 280 x 205 mm
(13.5" x 11" x 8.1")

Environmental Specifications

- **Operating temperature:** 0° ~ 50° C (32° ~ 122° F)
- **Vibration (operation):** 5 ~ 500 Hz 1 G RMS Random Vibration
- **Relative humidity:** 10 ~ 95% @ 40° C (non-condensing)
- **Safety:** CE, FCC, BSMI compliant

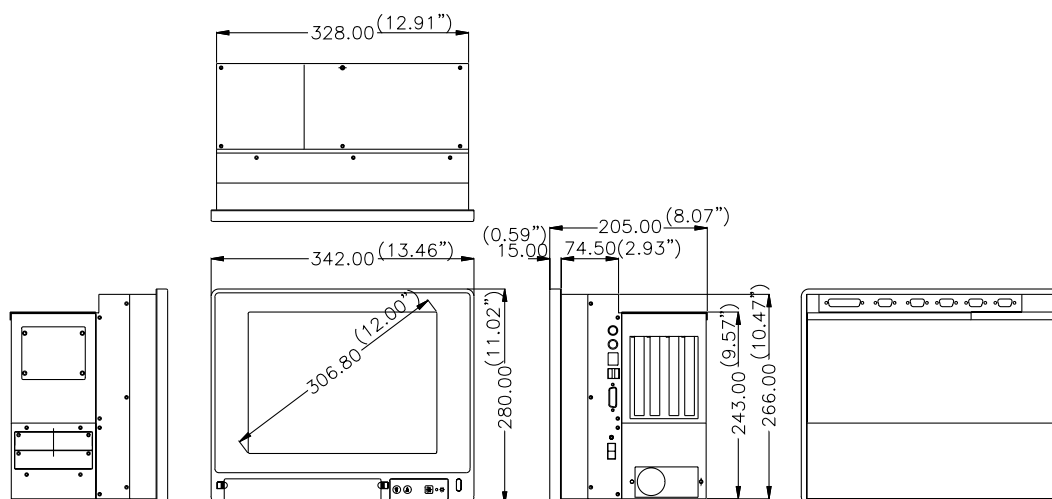
LCD Display

Model	AWS-9124
Display type	12.1" SVGA TFT LCD
Max. resolution	800 x 600
Maxi. colors	262 K
Luminance (cd/m ²)	250
Viewing angle	80° (H), 30° (V)
Operating temperature	0 ~ 50°C
LCD MTBF	50,000 hours
Backlight lifetime	30,000 hours
Simultaneous mode	Yes
LCD MTBF	50,000 hours
Backlight MTBF	20,000 hours
Default VGA card	PCA-6654LB (TP only)

CE FCC

Dimensions

Unit: mm (inch)



Cut-out dimensions (W x H): 334 x 272 mm (13.1" x 10.7")

Touchscreen (optional)

- **Type:** 8 wire, analog resistive, continuous resolution
- **Light transmission:** 75%
- **Controller:** RS-232 interface
- **Durability:** 100 Million touch lifetime
- **OS Support:** MS-DOS, Windows 3.1/95/98/NT/2000

Power Supply Options

AC input 200 W (Standard offer)

- **Input voltage:** 90 ~ 264 V_{AC}, 47 ~ 63 Hz
- **Output voltage:** +5 V @ 25 A, +12 V @ 13 A, +3.3 V @ 15 A, -5 V @ 0.5 A, -12 V @ 1 A, +5 Vsb @ 2 A
- **Safety:** CE, UL, TUV
- **Active PFC**

DC 24 V input 200 W (option offer)

- **Input:** 19 ~ 32 V_{DC}
- **Output voltage:** +5 V @ 25 A, +12 V @ 13 A, +3.3 V @ 15 A, -5 V @ 0.5 A, -12 V @ 1 A, +5 Vsb @ 1.5 A
- **Safety:** CE, UL, TUV

DC 48 V input 200 W (option offer)

- **Input:** 36 ~ 72 V_{DC}
- **Output voltage:** +5 V @ 25 A, +12 V @ 13 A, +3.3 V @ 15 A, -5 V @ 0.5 A, -12 V @ 1 A, +5 Vsb @ 2 A
- **Safety:** CE, UL, TUV



Ordering Information

- ☐ **AWS-9124T**
Celeron 400 MHz CPU, 12.1" LCD, 4 slot backplane, 2.5" slim FDD and 200 W AC power
- ☐ **AWS-9124T-T**
AWS-9124T with resistive touchscreen (RS-232 interface)
Optional models with DC 24 V, or DC 48 V power supply are available upon request