

R399 & AR399 Central Office Connectors

Key Features

- Maximum density saves space; increases number of protected cable pair per frame vertical
- Narrow block width provides large inter-vertical working space for fast, convenient jumper administration
- Front ground test point offers labor savings and reliability; provides a convenient place to attach an alligator clip without reaching behind the connector
- Accepts industry standard protector modules to permit a wide module selection
- Gold-plated protector module sockets and test field contacts provide superior electrical contact to eliminate noise problems
- Integral field-stubbing bracket saves costs; permits fast, easy field stubbing; no temporary mounting bracket needed
- UL Listed for documented performance
- Swivel stub design for up or down stub configuration facilitates ordering

Description

The R399 is the highest density 100-pair connector available that utilizes industry standard 5-pin protector modules and is UL Listed to meet specification number UL 497 and is RDUP (formerly RUS) accepted when used with S3AB, 3AB, 6A20, or 3GUVS protector modules. Its compact design, only 8.5-in. high, allows maximum density per frame vertical.

Made of a polycarbonate-blend, connectors can be factory stubbed with 22 or 24-gauge cable in 10-ft. increments, starting at 20 feet. The stub is complete with a moisture dam and grounding harness. The connector utilizes a 6AWG grounding harness and is available with or without isolated ground.

The connector is available in either a conventional, R399, or angled version, AR399. The angled version provides greater visibility and access to the protector module field, while retaining front access to both jumper field and test fields.

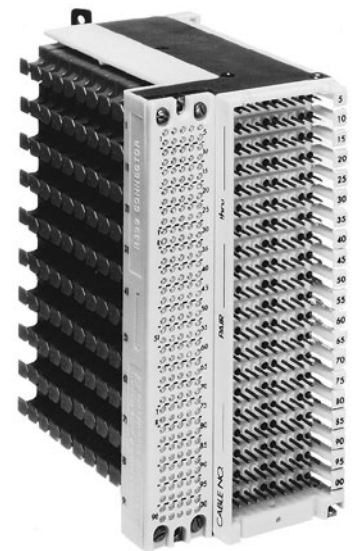
The front-facing equipment field offers a choice of termination: wire-wrap or bifurcated quick-clips. Front and rear snap-through fanning strips facilitate orderly jumpering and offer highly visible pair count identification. The 100-pair front-facing test field makes testing easy.

The R399 is RDUP (formerly RUS) accepted, UL Listed to meet specification number UL 497, and meets or exceeds the specifications set forth in Telcordia TA-EOP-000164 and GTE GTS 8339 documents.

Application

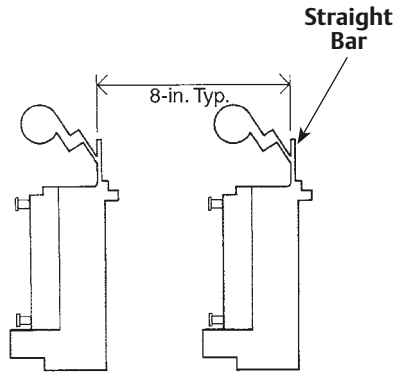
The R399 protects personnel and equipment from abnormal voltages and currents on incoming cable pairs. It mounts on central office conventional frames with 8-in. centers, and 2500 and RDS modular frames from Emerson.

NOTE: 5-pin plug-in protection modules ordered separately.

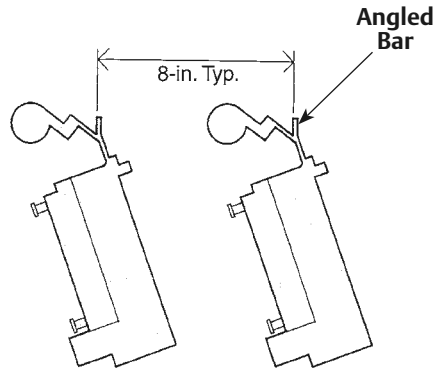


R399 Wire Wrap
(Stubless)

R399 & AR399 Central Office Connectors



Straight Mounting



Angled Mounting

Dimensions

Connector	H	W	D
R399	8.5-in. (216 mm)	4.0-in. (104mm)	8.0-in. (203mm)

R399 & AR399 Central Office Connectors

Specifications

Frame Height	Capacity Stub Up*	Capacity Stub Down
7-ft.	700 pair	800 pair
8-ft.	900 pair	1000 pair
9-ft.	1000 pair	1100 pair
11.5-ft.	1400 pair	1400 pair

* Reduction in stub up capacity is due to accommodating cable bend to overhead rack.

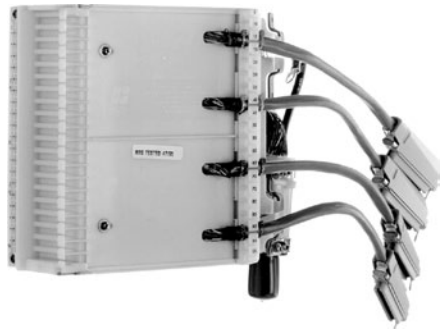
Ordering Matrix

Mounting Configuration	blank = Non-angled mount	A = Angled mount
Ground Configuration	blank = Conventional ground	S = Isolated ground
Connector Application	R399 = Standard ground, left mount RZ399 = For use on right side protector columns of RDS frame and 2500 frame RG399 = Connectorized equipment side (four, 25-pair receptacle connectors) RX399 = Less test fields	
Optional	C = Bifurcated quick-clip equipment field blank = Wire-wrap equipment field (and default for RG Series.)	
Stub Cable Gauge	A = 24 gauge, .96 dia. o.d.	B = 22 gauge, 1.17 dia. o.d.
Stub Cable Type	A = Alvyn	T = Two 22AWG cables*
Stub Length (20-ft. minimum in 10-ft. increments)		

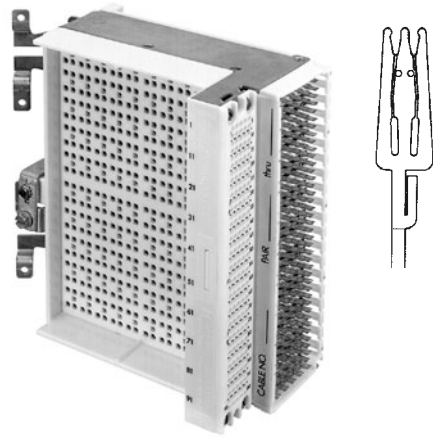
* T configuration provides an equivalent to T screen-type cable. Two 50-pair cables are secured together every three feet.

NOTE: Not all catalog numbers can be configured.

R399 & AR399 Central Office Connectors



RG399
Connectorized R399



R399C Bifurcated
(Stubless Shown)

Ordering Information: Stubless Connectors

Catalog Number	Part Number	Description
R399	F249001	Wire-wrap version*
AR399	F400200	Angle mount wire-wrap
SR399	F249304	Isolated ground wire-wrap
R399C	F249501	Bifurcated quick-clip (IDC)
RX399	F249900	Without test field
RX399CG	F249210	Without test field bifurcated quick-clip (IDC)
RZ399C	F249400	Right mount with bifurcated quick-clips

* The R399 is RDUP (formerly RUS) accepted when used with S3AB, 3AB, 6A20, or 3GUVS protector modules.

R399 & AR399 Central Office Connectors

Ordering Information: Stubbed Connectors — 24 AWG

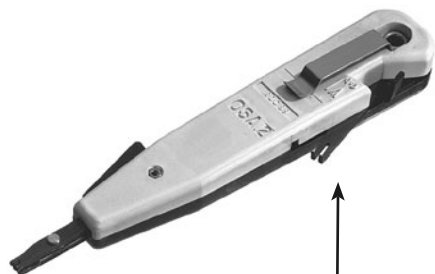
Catalog Number	Part Number	Description
Quick-Clip Equipment Field		
R399CAA20	F249500	Connector, quick-clip equipment field, 20-ft. swivel stub
R399CAA30	F249507	Connector, quick-clip equipment field, 30-ft. swivel stub
R399CAA50	F249513	Connector, quick-clip equipment field, 50-ft. swivel stub
R399CAA60	F249919	Connector, quick-clip equipment field, 60-ft. swivel stub
R399CAA70	F249595	Connector, quick-clip equipment field, 70-ft. swivel stub
Wire-Wrap Equipment Field		
R399AA25	F249024	Connector, wire-wrap equipment field, 25-ft. swivel stub
R399AA50	F249008	Connector, wire-wrap equipment field, 50-ft. swivel stub
R399AA75	F249111	Connector, wire-wrap equipment field, 75-ft. swivel stub
R399AA100	F249045	Connector, wire-wrap equipment field, 100-ft. swivel stub
Connectorized Equipment Field		
RG399AA20	F249981	Connector, connectorized equipment field, 20-ft. swivel stub
RG399AA25	F249985	Connector, connectorized equipment field, 25-ft. swivel stub
RG399AA30	F249453	Connector, connectorized equipment field, 30-ft. swivel stub
RG399AA50	F253321	Connector, connectorized equipment field, 50-ft. swivel stub
Angle Mount, Wire-Wrap Equipment Field		
AR399AA20	F400201	Connector, wire-wrap equipment field, 25-ft. swivel stub
AR399AA50	F1001775	Connector, wire-wrap equipment field, 50-ft. swivel stub
Isolated Ground, Wire-Wrap Equipment Field		
SR399AA25	F249323	Connector, wire-wrap equipment field, 25-ft. swivel stub
SR399AA50	F249308	Connector, wire-wrap equipment field, 50-ft. swivel stub
SR399AA75	F249319	Connector, wire-wrap equipment field, 75-ft. swivel stub
SR399AA80	F249354	Connector, wire-wrap equipment field, 80-ft. swivel stub
SR399AA100	F249365	Connector, wire-wrap equipment field, 100-ft. swivel stub
Less Test Field, Wire-Wrap Equipment Field		
RX399AA50	F249821	Connector, wire-wrap equipment field, 100-ft. swivel stub
RX399AA100	F249578	Connector, wire-wrap equipment field, 100-ft. swivel stub
Less Test Field, Quick-Clip Equipment Field		
RX399CAA20	F249808	Connector, quick-clip equipment field, 20-ft. swivel stub
RX399CAA25	F249807	Connector, quick-clip equipment field, 25-ft. swivel stub
RX399CAA30	F249802	Connector, quick-clip equipment field, 30-ft. swivel stub

R399 & AR399 Central Office Connectors

Ordering Information: Stubbed Connectors — 22 AWG

Catalog Number	Part Number	Description
Quick-Clip Equipment Field		
R399CBA20	F249506	Connector, quick-clip equipment field, 20-ft. swivel stub
R399CBA30	F249521	Connector, quick-clip equipment field, 30-ft. swivel stub
R399CBA50	F249458	Connector, quick-clip equipment field, 50-ft. swivel stub
R399CBA60	F249573	Connector, quick-clip equipment field, 60-ft. swivel stub
R399CBA80	F249522	Connector, quick-clip equipment field, 80-ft. swivel stub
Wire-Wrap Equipment Field		
R399BA25	F249015	Connector, wire-wrap equipment field, 25-ft. swivel stub
R399BA50	F249014	Connector, wire-wrap equipment field, 50-ft. swivel stub
R399BA75	F249077	Connector, wire-wrap equipment field, 75-ft. swivel stub
R399BA100	F249116	Connector, wire-wrap equipment field, 100-ft. swivel stub
Connectorized Equipment Field		
RG399BA50	F247001	Connector, connectorized equipment field, 50-ft. swivel stub
Angle Mount, Wire-Wrap Equipment Field		
AR399BA40	F249665	Connector, wire-wrap equipment field, 40-ft. swivel stub
AR399BA50	F249564	Connector, wire-wrap equipment field, 50-ft. swivel stub
AR399BA75	F249565	Connector, wire-wrap equipment field, 75-ft. swivel stub
AR399BA100	F249566	Connector, wire-wrap equipment field, 100-ft. swivel stub
Isolated Ground, Wire-Wrap Equipment Field		
SR399BA25	F249300	Connector, wire-wrap equipment field, 25-ft. swivel stub
SR399BA50	F249335	Connector, wire-wrap equipment field, 50-ft. swivel stub
SR399BA75	F249346	Connector, wire-wrap equipment field, 75-ft. swivel stub
SR399BA100	F249419	Connector, wire-wrap equipment field, 100-ft. swivel stub

R399 & AR399 Central Office Connectors



RQC99
with removal tool



P46321

Accessories

Catalog Number	Part Number	Description
R399LPKIT	F568051	Isolated ground kit
P48271	F548271	100-pair wall mounting bracket
RQC99	F249599	Quick-clip wire insertion/removal tool
3991138	F014061	Front tap shoe pair tester for 100-pair
3991161	F014059	Single pair test cord with alligator clips

NOTE: See the Protection section for protector modules, the Accessories section for test equipment accessories, and the CO & Remote Frames Systems section for mounting bars.

R399 & AR399 Central Office Connectors

Emerson Network Power.

The global leader in enabling
Business-Critical Continuity™.

- AC Power
- Connectivity
- DC Power
- Embedded Computing
- Embedded Power
- Infrastructure Management & Monitoring
- **Outside Plant**
- Power Switching & Controls
- Precision Cooling
- Racks & Integrated Cabinets
- Services
- Surge Protection

Emerson Network Power Energy Systems

4350 Weaver Parkway, Warrenville, IL 60555
Toll Free: 800-800-1280 (USA and Canada)
Telephone: 440-246-6999 Fax: 440-246-4876
Web: EmersonNetworkPower.com/OSP

© 2010 Emerson Network Power Energy Systems,
North America, Inc. All rights reserved.

Emerson®, Emerson Network Power™, *Business-Critical Continuity™*,
NetReach™, NetSpan™ and NetXtend™ are trademarks of
Emerson Electric Co. and/or one of its subsidiaries.

Printed in USA

