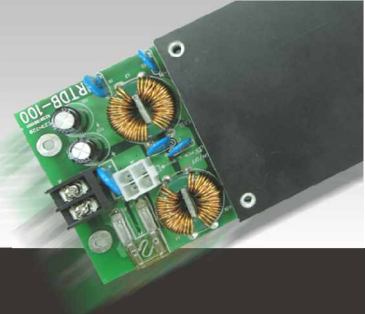
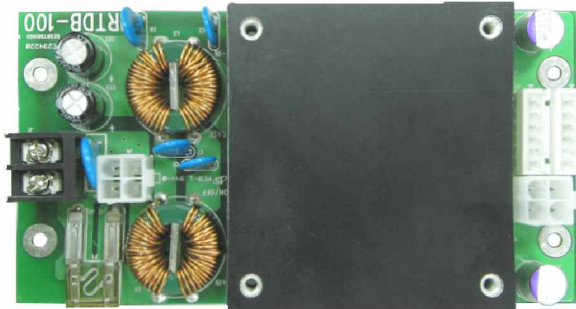


DC To DC Power Units

IRTDB-100



IRTDB-100 100W ISOLATION DC/DC Converter Module

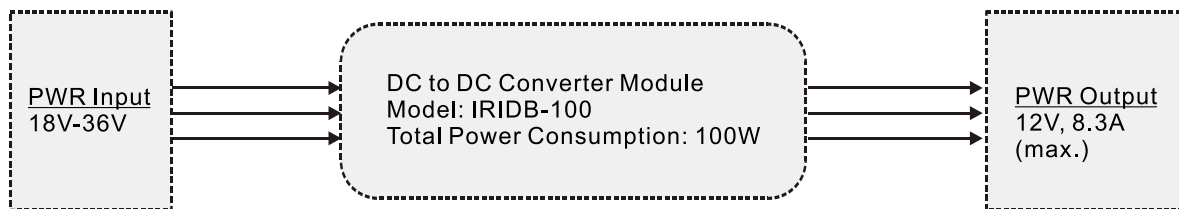


Features

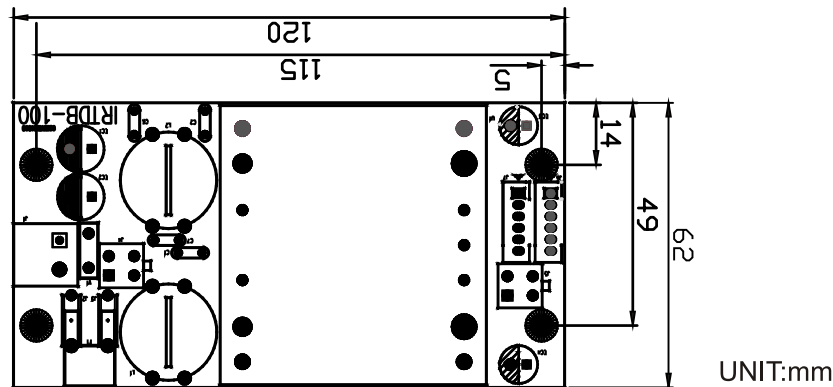
- High efficiency DC-DC Power Supply
- Wide input voltage range 8V to 36V
- Output over-current protection
- Simple to install
- RoHS Compliant
- No minimum load required
- Isolation

GENERAL

Applicable to general Panel PC for wide DC input voltage range.



MECHANICAL

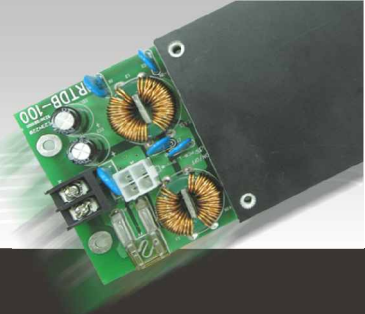


Specifications

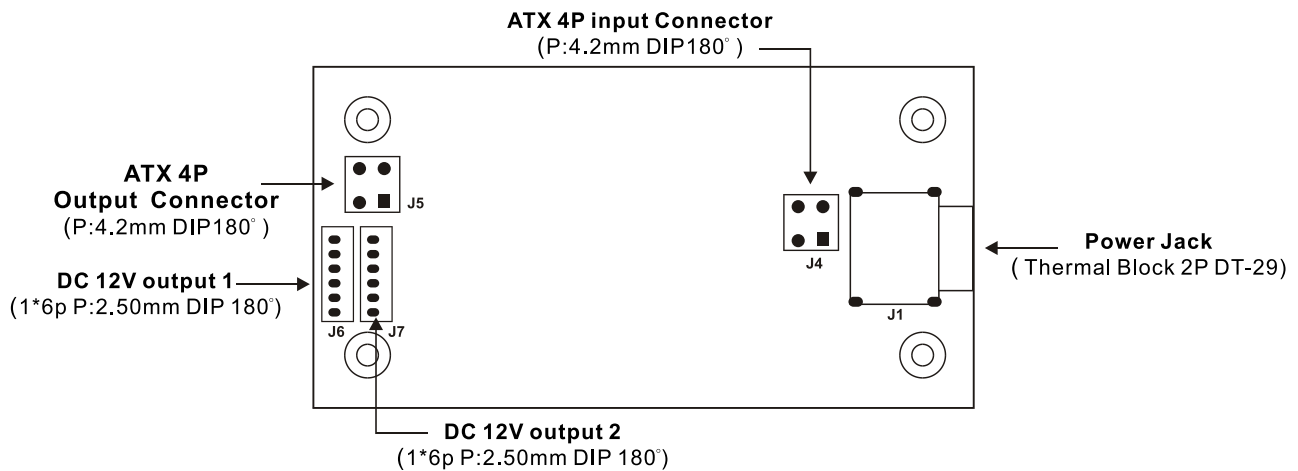
Input Voltage	: 18V to 36V DC
Output Voltage	: 12V DC
Load Range	: 8.3A
Power Consumption	: 100W
Ripple And Noise	: Less than 120mV
Line Regulation	: Less than $\pm 2.5\%$ at rated load with $\pm 10\%$ change in input voltage
Load Regulation	: Less than $\pm 2\%$
Efficiency	: 88%
Altitude	: 0 to 10000ft
Protection	: OCP protection
Operating Temp.	: 0°~50°C
Storage Temp.	: -20°~70°C
Humidity	: 10~90% non-condensing
Dimension	: 120x62x17(mm)

DC To DC Power Units

IRTDB-100



IRTDB-100 100W ISOLATION DC/DC Converter Module



Pin Assignment:

J1: Power Jack

Connector Type : Thermal Block 2P DT-29

Pin	Symbol
1	DC 18~36V Input
2	-VIN

J4: ATX 4P input Connector

Connector Type : P:4.2mm DIP180° Molex87427

Pin	Symbol
1	-VIN
2	-VIN
3	DC 18~36V Input
4	DC 18~36V Input

J5: ATX 4P Output Connector

Connector Type : P:4.2mm DIP180°

Pin	Symbol
1	GND
2	GND
3	12V
4	12V

J6: DC 12V output 1

Connector Type : 1*6p P:2.50mm DIP 180°

Pin	Symbol
1	12V
2	GND
3	GND
4	GND
5	12V
6	12V

J7: DC 12V output 2

Connector Type : 1*6p P:2.50mm DIP 180° Molex87427

Pin	Symbol
1	12V
2	GND
3	GND
4	GND
5	12V
6	12V