

# UTC-520

## 21.5" Ubiquitous Touch Computer with Intel® Atom™ D510 Processors



### Features

- Low Power and Fanless
- Built-in Intel® Atom™ Processor D510 1.66 GHz
- Providing Natural Viewing Experience with 16:9 21.5 Display
- Front panel complies with IP54 protection standard
- All in one aluminum extrusion design, only 40 mm thickness
- Landscape & Portrait screen mode support different applications
- VESA 100 mm standard mounting holes for varied mounting demands
- Attachable design for panel & peripherals to extend function and applications



### Introduction

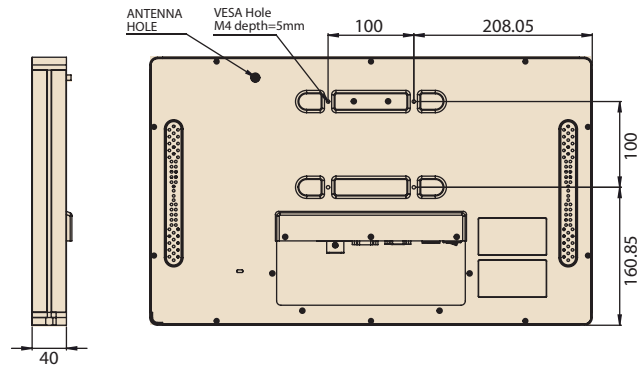
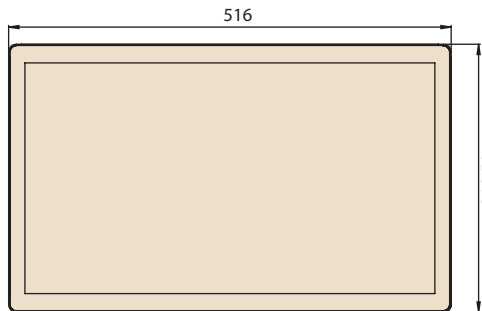
UTC-520 features an all-in-one computing system equipped with wide format, touch based LCD panel. It is easy to integrate key peripherals and display systems for diversified self-service and promotional usage in different application areas. The systems deliver updated information with well-designed interactive interfaces, ensuring relevant content and targeted promotions. UTC series touch panel computers are the best investments to enhance user satisfaction, further brand equity, and maximize business profits.

### Specifications

Processor System	CPU	Intel Atom™ D510 Dual-core 1.66 GHz
	Chipset	Intel D510 + ICH8M
	L2 Cache	2 x 512 KB
	FSB Speed	667 MHz
	Memory	DDR2 667 200pin SO-DIMM x 1 (UTC-520-RE Build-in 1GB, UTC-520-RXPE0E Build-in 2GB)
	SSD	Supports 1 x internal CompactFlash
	HDD	1 x 2.5 internal SATA HDD bay
	Network (LAN)	2 x Gigabit Ethernet ports
	I/O Ports	1 x COM port 2 x USB 2.0 ports 2 x Gigabit Ethernet Ports 1 x VGA port
	Stereo Speaker	3 W x 2 (Option Audio Line-out)
Bus expansion	MINI PCIe (option WiFi module)	
Dimensions (W X H X D)	516 mm (L) x 312.5 mm (H) x 40 mm (D) (20.3" x 12.3" x 1.58")	
Weight	6 kg (13.2 lb)	
OS Support	Windows XP/ XPE/ 7/ Embedded Standard 7/ CE 6.0	
Environmental Specifications	Operating Temperature	0 ~ 40° C (32 ~ 104° F)
	Relative Humidity	10 ~ 95% @ 40° C non-condensing
	Vibration	0.5G
	Shock	10 G peak acceleration (11 msec. duration)
	EMC	CE, FCC, UL, CCC, BSMI
Front Panel Protection	IP54/ NEMA4 Compliant	
Power	Input Rating	12 V/5 A (Build-in 60 W Adapter) *WARNING: Failure to plug the green power adapter jack into the UTC-520 first, BEFORE turning on power will result in damage to the motherboard.
	Power consumption	Typical 33 W Max 38
LCD Display	Size/Type	21.5" TFT LCD with LED backlight
	Max.Resolution	Default setting is 1366 x768, scalar board allows resolutions up to Full HD
	Max. Color	16.7 M
	Pixel Pitch (mm)	248.25 (H) x 248.25 (V)
	Brightness (cd/m <sup>2</sup> )	400
View Angle	170°/160°	
Touch Screen	Type	Analog Resistive 5 wires (Touch window)
	Resolutions	1024 x 1024
	Light Transmission	80 %
	Controller	USB Interface
	Software Driver	Windows XP/ 7/ XPE/ Linux
Durability (Touches)	36 million	

## Dimensions

Unit: mm (inch)



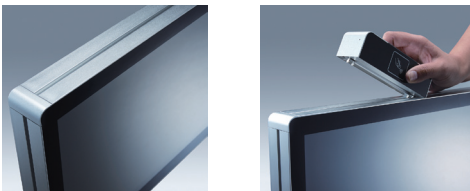
## Ordering Information

Part No.	Description
UTC-520-RE	21.5" Atom D510 Based fanless UTC with Resi.T/S. 1 GB RAM
UTC-520-RXPE0E	UTC-520-RE with 2 GB Memory/ 160 GHDD/XPE
UTC-520-R2E	21.5 Atom D510 Based Fanless UTC with Resi/ T/S 2GB/ 160G HDD
1702002605	Power cord 2P FRANCE 10A/16A 220V 1.83M 90D
1702002600	Power Cord 3P UL/CSA(USA) 125V 10A 1.83M 180D
1700000596	Power Cord (China) CCC,10A 250V, 3P 1830mm

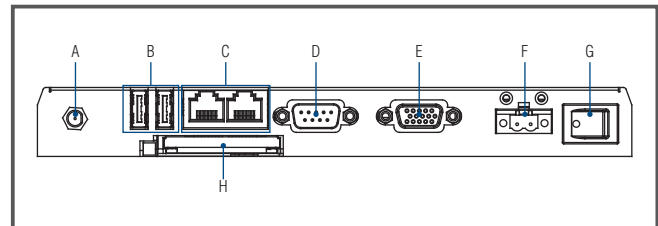
## Peripherals for UTC-500 series

Part No.	Description
UTC-P01-A0E	2M Camera Module For UTC-5XX (USB connection)
UTC-P02-A0E	Magnet Strip Reader For UTC-5XX (USB connection)
UTC-P03-A0E	RFID Reader For UTC-5XX (USB connection)
UTC-P06-A0E	Smart Card Reader For UTC-5XX (USB connection)
UTC-P07-A0E	2D Barcode Reader For UTC-5XX (USB Connection)
UTC-P21-A0E	4 in 1 Modules Barcode reader + RFID + Card reader + MSR

Side groove design for Flexible peripheral device



## Fully- Integrated I/O



- A. Antenna/ Audio Line-out (option)
- B. USB 2.0 x 2
- C. Gigabit LAN x 2
- D. COM port
- E. VGA
- F. DC Inlet
- G. Power Switch
- H. Compact Flash slot

## Wireless LAN Module

Part No.	Description
968EMW0038	Wireless IEEE 802.11 b/g/n AW-NE785 PCIE
1750006010 (Cable)	
9680001060	2.0dBi Dipole short antenna
1750003222	5.0dBi Dipole long antenna

## Installation Accessory

Part No.	Description
UTC-520-STAND1E	Desktop Stand for UTC-520